

MICRO SWITCH

A DIVISION OF MINNEAPOLIS-HONEYWELL REGULATOR COMPANY
 ST. LOUIS, MISSOURI

FED. MFR. CODE 91929

SWITCH-BASIC

CATALOG LISTING

BA-2RV6-A2

BA-2RV6-A2

PAGE 1 OF 1

REPLACES

RELEASE NO. SR 9989

M

DRAWING NUMBER

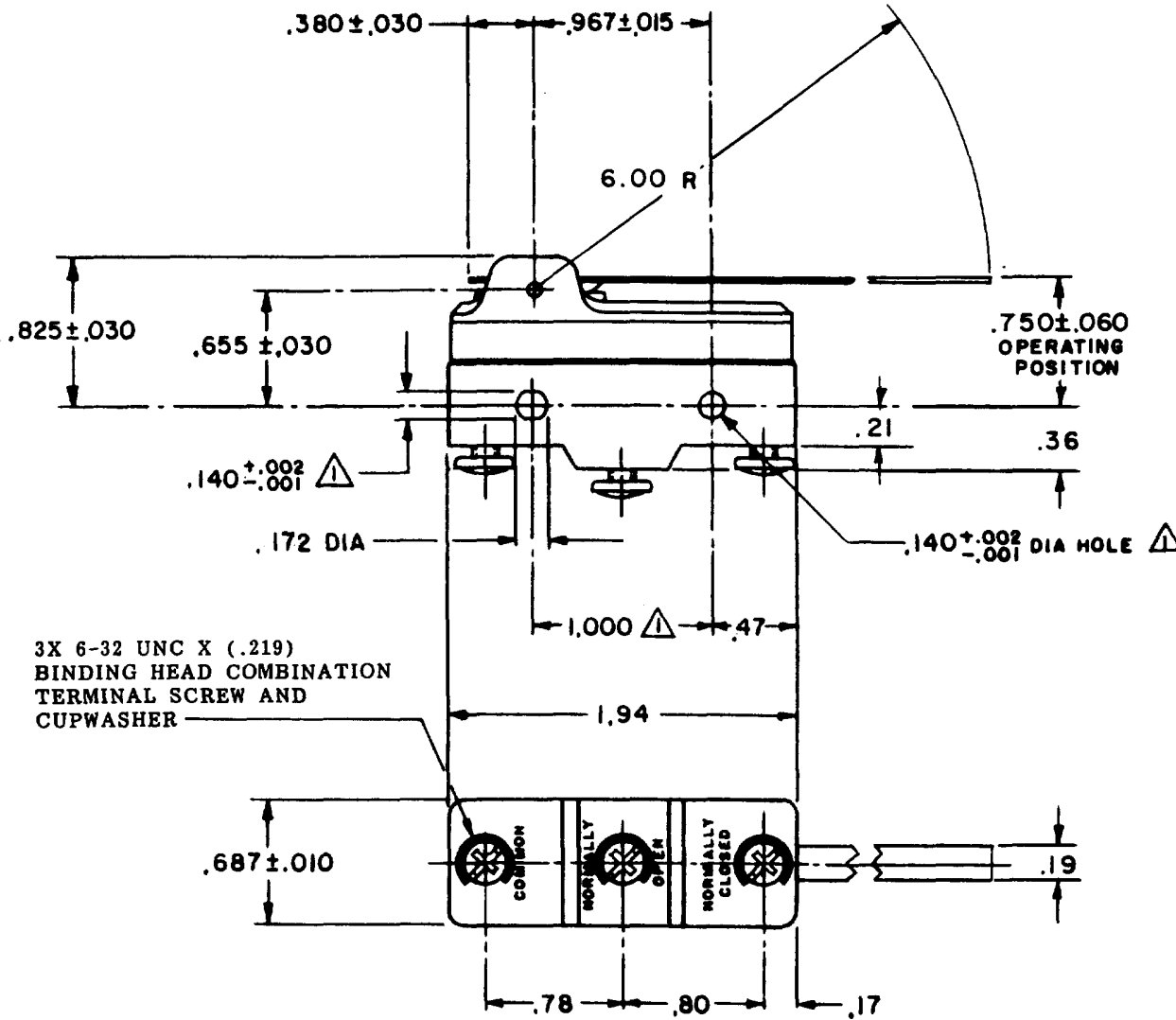
4

ISSUE

REVISIONS

A	CO-73287-J	JAL	22 NOV 93
B	CO-77390	SAD	8 JUN 94
C	CO93346	DLT	26 AUG 98

CHECK	BRJ	DEC '91
CHECK	DAW	DEC '91
CHECK	MBF	DEC '91



NOTE - \triangle - MOUNTING HOLES WILL ACCEPT PINS OR SCREWS OF .139 MAX DIA ON $1.000 \pm .002$ CENTERS

THIS DRAWING COVERS A PROPRIETARY ITEM AND IS THE PROPERTY OF MICRO SWITCH, A DIVISION OF MINNEAPOLIS-HONEYWELL REGULATOR CO. THIS DRAWING IS NOT TO BE COPIED OR USED WITHOUT THE APPROVAL OF MICRO SWITCH.

CHARACTERISTICS	ELECTRICAL DATA		SCALE FULL
OPERATING FORCE ----- 1 OZ MAX	CONTACT ARRANGEMENT S P D T	BREAK DISTANCE .020 MIN	DO NOT SCALE PRINT
RELEASE FORCE ----- 1/4 OZ MIN	UNDERWRITERS' LAB. INC. LISTED RATING 20A - 125, 250 OR 480 VAC 10A - 125 VAC "L" 1HP - 125 VAC, 2HP - 250 VAC 1/2A - 125 VDC, 1/4A - 250 VDC		UNLESS OTHERWISE SPECIFIED DIMENSIONS ARE IN INCHES TOLERANCES ARE: ONE PLACE (.0) $\pm .030$ TWO PLACE (.00) $\pm .015$ THREE PLACE (.000) $\pm .005$ ANGLES \pm
DIFFERENTIAL TRAVEL ----- .234 MAX	L23		WEIGHT
OVERTRAVEL ----- .297 MIN	L288		
	L299		
	L308		
	20(3)A 250V \sim T85 5E4		

FORMTEK
 0-50378

DRAWN

MBF 8 DEC 91