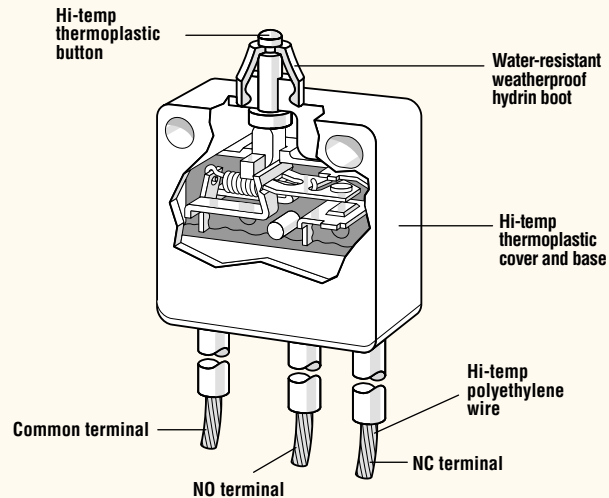


SUBMINIATURE — SEALED

# E72/E73 Series

## Features

- Moisture resistant
- 3 contact arrangements
- Long life coil spring mechanism
- Choice of button or hinged actuator
- 10", 16 gauge leads attached
- Custom wire and harness designs available upon request



## Electrical Ratings

Switch Series	EN61058 Rating	UL1054 Rating	Electrical Life at Rated Load	
			According to VDE (Min. Operations)	According to UL (Min. Operations)
E72	N/A	10.1A, 1/4HP, 125/250VAC	N/A	6,000
E73	N/A	0.1A, 125VAC	N/A	6,000

## Specifications

### Electrical

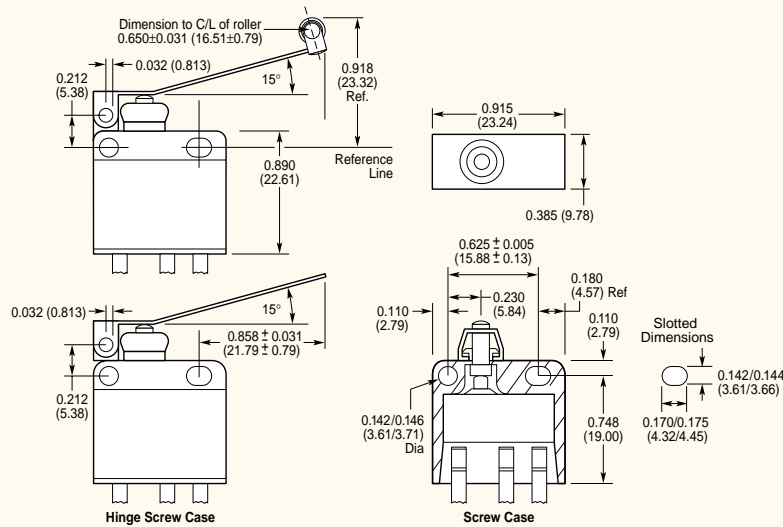
Temperature Rating:	-40° to +85°C
Flammability Rating:	UL94V-O

### Materials

Case:	Hi-Temp Thermoplastic Nylon
Boot:	Hydrin
Button:	Hi-Temp Thermoplastic Nylon
Actuator:	Stainless Steel
Potting:	Macromelt Polyamide
Contacts:	Silver Alloy (E72), Gold Crosspoint (E73)



## Dimensions inches (mm)



## Characteristics inches (mm)

	-40AT	-40HT	-40KT
Max. Rest Position	0.390 (9.91)	0.972 (24.69)	1.041 (26.44)
Max. Pretravel	0.040 (1.02)	0.275 (6.99)	0.240 (6.10)
Operating Point	0.310 – 0.350 (7.87 – 8.99)	0.440 – 0.750 (11.18 – 19.05)	0.762 ± 0.125 (19.36 ± 3.18)
Min. Overtravel	0.035 (0.89)	0.100 (2.54)	0.125 (3.18)
Max. Movement Differential	0.004 (0.10)	0.024 (0.61)	0.025 (0.635)
Max. Operating Force	300 gms.	67 gms.	75 gms.

## Mounting

Recommended screw size: #6-32 round head. Recommended torque on screw: 6 inch lbs. max.

## Ordering Information

Actuator	Silver Contacts	Gold Contacts
Button	E72-40AT	E73-40AT
Lever	E72-40HT	E73-40HT
Roller	E72-40KT	E73-40KT