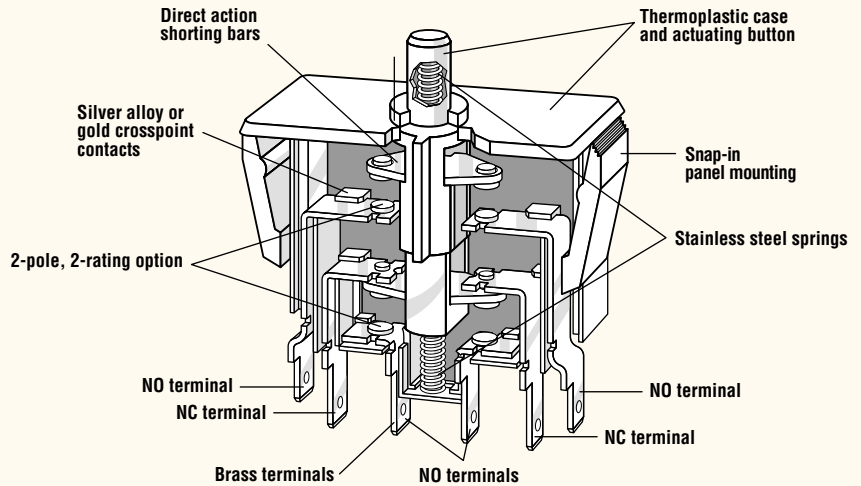


# LINE INTERRUPT F80 Series

## Features

- Snap-in panel mounting
- High overtravel
- Choice of button barrier or standard housing
- 3 terminal types
- Double make/double break shorting bars
- Agency approved extended-life versions available
- International approval available
- 3mm (0.12") minimum contact gaps
- Over 200 versions available



## Electrical Ratings

Switch Series	EN61058 Rating	UL1054 Rating	Electrical Life at Rated Load	
			According to VDE (Min. Operations)	According to UL (Min. Operations)
F81	10(3)A, 400VAC	10A, 125/250VAC, 3/4HP, 125VAC 1-1/2HP, 250VAC; 6A, 30VDC	50,000	6,000*
F82	16(6)A, 250VAC	16A, 125/250VAC, 3/4HP, 125VAC 1-1/2HP, 250VAC; 6A, 30VDC	50,000	6,000*
F83	0.1(0.5)A, 250VAC	0.1A, 125/250VAC	50,000	6,000*
F84	Mixed Ratings Consult Factory	Combines two different ratings in a single switch. Consult factory for special part number.	50,000	6,000*

\*Indicates 100K life available.

## Specifications

### Electrical

Temperature Rating: -25° to +85°C

Flammability Rating: UL94V-O

### Materials

Case: Thermoplastic Polyester

Actuating Button: Thermoplastic Polyester

Terminals: Brass

Moving Blade: Brass

Springs: Stainless Steel

Guide Pin: Thermoplastic Nylon

Contacts: Silver Alloy (F81, F82)

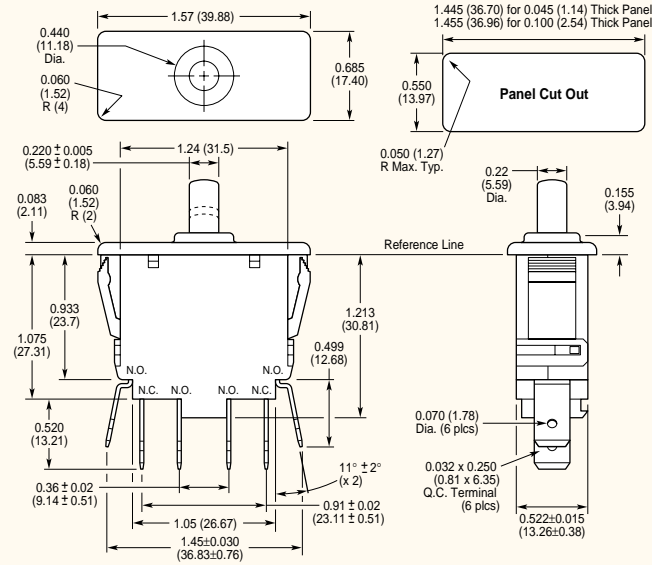
Gold Crosspoint (F83)

Silver Alloy/Gold Crosspoint (F84)

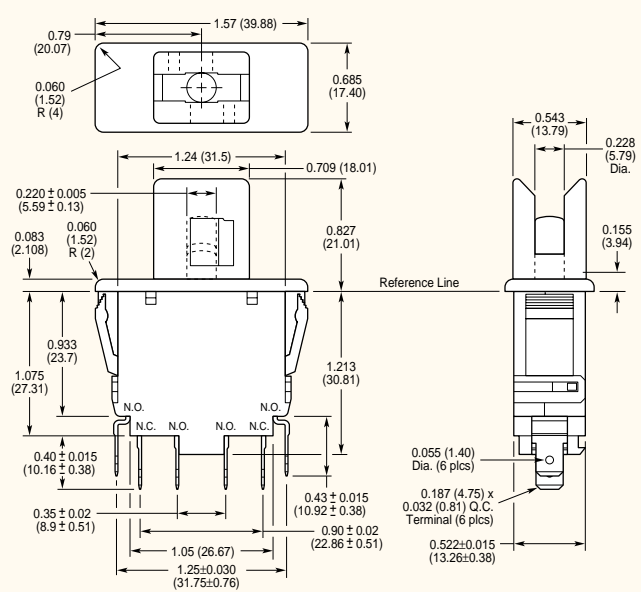


## Dimensions inches (mm)

### Basic Case Housing (F82J-A120)



### Button Barrier Housing (F81J-B110)

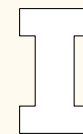
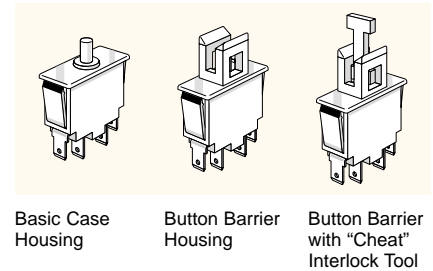


## Actuator Specifications

Switch Type	Maximum Operating Force (g)	Maximum Pre-Travel inches (mm)	Operating Point inches (mm)	Minimum Overtravel inches (mm)	Full Over-Travel Position inches (mm)	Max. Rest Position* inches (mm)
F81J-A120	866	0.236 (5.99)	0.354±0.030 (8.99±0.76)	0.079 (2.01)	0.314 (7.98)	0.551 (14.00)
F82J-A120	866	0.236 (5.99)	0.354±0.030 (8.99±0.76)	0.079 (2.01)	0.314 (7.98)	0.551 (14.00)
F81A-A120	866	0.236 (5.99)	0.354±0.030 (8.99±0.76)	0.079 (2.01)	0.314 (7.98)	0.551 (14.00)
F82A-A120	866	0.236 (5.99)	0.354±0.030 (8.99±0.76)	0.079 (2.01)	0.314 (7.98)	0.551 (14.00)
F81X-A120	866	0.236 (5.99)	0.354±0.030 (8.99±0.76)	0.079 (2.01)	0.314 (7.98)	0.551 (14.00)
F82X-A120	866	0.236 (5.99)	0.354±0.030 (8.99±0.76)	0.079 (2.01)	0.314 (7.98)	0.551 (14.00)
F82Y-A120**	250	0.030 (0.76)	0.354±0.030 (8.99±0.76)	0.250 (6.35)	0.314 (7.98)	0.490 (12.45)

\*Measured above reference line. \*\*Operating Force and Pretravel are measured when N.C. Pole Breaks.

## Case Styles



### "Cheat" Interlock

#### Part Number:

White: 0014-4945

Red: 0014-5451

## Ordering Information

Code	Current Rating	
	UL/CSA	VDE
1	10A, 125/250VAC; 3/4HP, 125VAC; 1.5HP, 250VAC; 6A @ 30VDC	10(3)A 400VAC
2	16A, 125/250VAC; 3/4HP, 125VAC; 1.5HP, 250VAC; 6A @ 30VDC	16(6)A 250VAC
3	0.1A, 125/250VAC	0.1(0.5)A 250VAC
4*	Mixed Ratings	

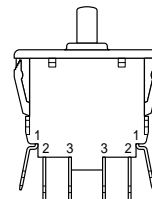
\*Special order — contact factory.

Code	Pole	Contact Configuration
A	1 & 3 2	SPST NO DM Vacant
J	1 2 3	SPST NO DM SPDT NC DB SPDT NO DM
X	1 & 2 3	Vacant SPST NO DM
Y	1 & 3 2	Vacant SPST NC DB
Z	1 2 3	Vacant SPDT NC BD SPDT NO DM
V	1 2 & 3	SPST NO DM Vacant

DB = Dead Break • DM = Dead Make

Code	Case
A	Basic
B	Actuator Barrier

#### Pole Identification



Code	Type
1	Standard
W	Special

Code	Terminal Type	inches (mm)
10	0.187 x 0.020 (4.75 x 0.51) QC	
20	0.250 x 0.032 (6.35 x 0.81) QC	
40	0.187 x 0.032 (4.75 x 0.81) QC	

\*\*To order 100,000 cycle UL approved switch, last digit of part number must be 'L'. For example: F81J-A12L