

MICRO SWITCH

A DIVISION OF MINNEAPOLIS-HONEYWELL REGULATOR COMPANY
 ST. LOUIS, MISSOURI
 FED. MFR. CODE 91929

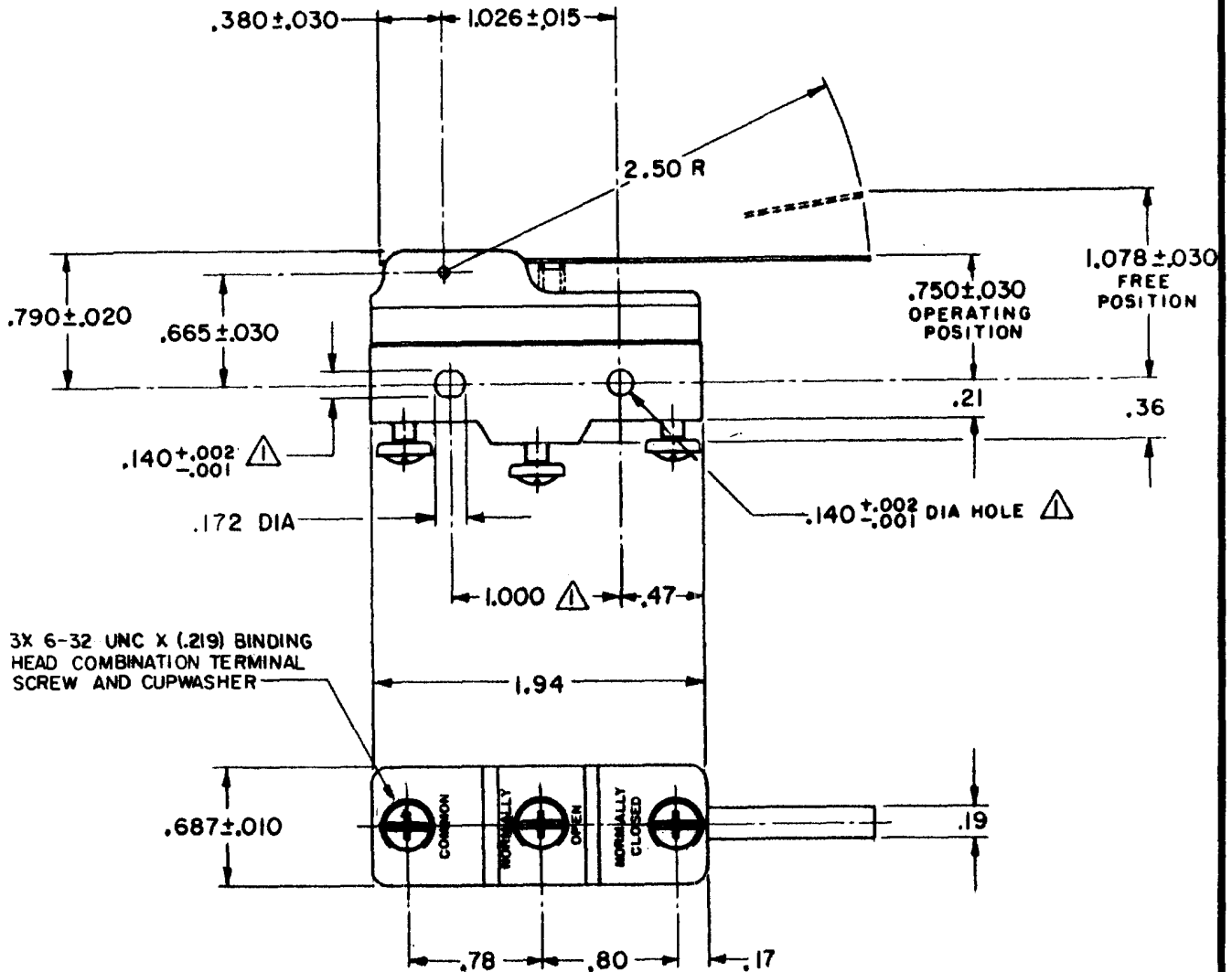
SWITCH - BASIC

CATALOG LISTING

BZ-2RW80-A2

ANZ5000

M BZ-2RW80-A2
 PAGE 1 OF 1
8
 DRAWING NUMBER
 ISSUE
 REVISIONS
 A CO 16736 GCH 12 MAR 82
 B CO 31001 DAW 16 AUG 72
 C CO-73287-B DHD 19 MAY 93
 D CO-77589 MAM 29 MAR 94
 E C093346 DLT 2 SEP 98
 F 0015139 TSG 23 AUG 05
 FORMTEK FO-80378
 DRAWN GCH 12 MAR 62
 CHECK DAW 29 MAR '62
 CHECK RJ 23 AUG 05
 CHECK
 RELEASE NO.
 REPLACES



3X 6-32 UNC X (.219) BINDING HEAD COMBINATION TERMINAL SCREW AND CUPWASHER

NOTE
 ▲ MOUNTING HOLES WILL ACCEPT PINS OR SCREWS OF .139 MAX DIA ON 1.000 ± .002 CENTERS

THIS DRAWING COVERS A PROPRIETARY ITEM AND IS THE PROPERTY OF MICRO SWITCH, A DIVISION OF MINNEAPOLIS-HONEYWELL REGULATOR CO. THIS DRAWING IS NOT TO BE COPIED OR USED WITHOUT THE APPROVAL OF MICRO SWITCH.

CHARACTERISTICS	ELECTRICAL DATA	SCALE FULL	
OPERATING FORCE ----- 2 1/2 OZ MAX	CONTACT ARRANGEMENT S P D T	DO NOT SCALE PRINT	
RELEASE FORCE ----- 1/2 OZ MIN	15A-125, 250 OR 480 VAC, 2A-600 VAC -L74- 1/8HP-125 VAC; 1/4HP-250 VAC 1/2A-125 VDC; 1/4A-250 VDC -L288- -L306- -L315-	UNLESS OTHERWISE SPECIFIED DIMENSIONS ARE IN INCHES TOLERANCES ARE: ONE PLACE (.0) ±.030 TWO PLACE (.00) ±.015 THREE PLACE (.000) ±.005 ANGLES ±	
DIFFERENTIAL TRAVEL ----- .007-.050		CE EN 05 EC 16A 250V ~ T85 5E4	WEIGHT .073 LB
OVERTRAVEL ----- .219 MIN			