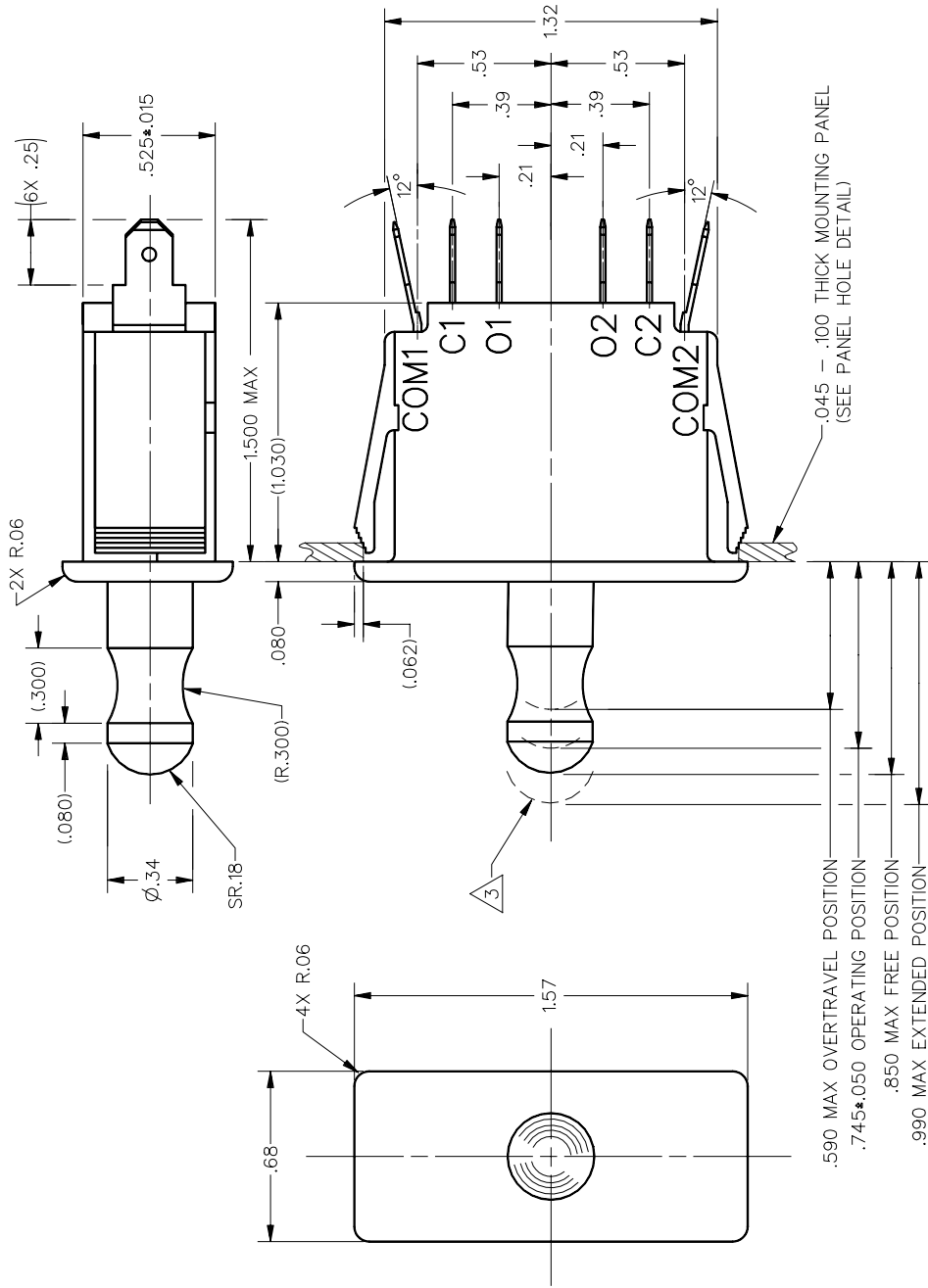


MICRO SWITCH
a Honeywell Division
FED. MFG. CODE 91929

SWITCH - BASIC

CATALOG LISTING
2DM409



THIS DRAWING COVERS A PROPRIETARY ITEM AND IS THE PROPERTY OF MICRO SWITCH. A DIVISION OF HONEYWELL. THIS DRAWING IS NOT TO BE COPIED OR USED WITHOUT THE APPROVAL OF MICRO SWITCH.

CHARACTERISTICS

OPERATING FORCE - 24 OZ MAX
(TO OPERATE BOTH CIRCUITS)

ELECTRICAL DATA

CONTACT ARRANGEMENT
D P D T

L181
10A 1/2HP 125, 250 OR 277 VAC

THIRD ANGLE PROJECTION



SCALE 2 TO 1

DO NOT SCALE PRINT
UNLESS OTHERWISE SPECIFIED
TOLERANCES ARE

ONE PLACE (.01) ±.030

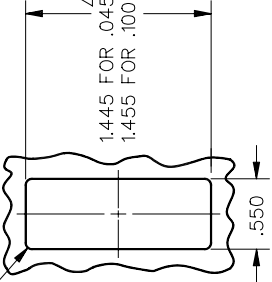
TWO PLACE (.00) ±.015

THREE PLACE (.000) ±.005

ANGLES ± 5°

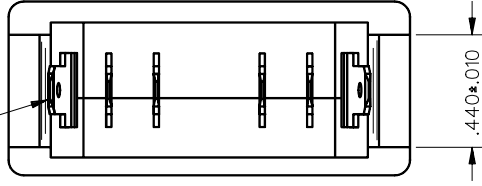
WEIGHT

4X R.050 MAX



PANEL HOLE DETAIL
SCALE FULL

6X .188 X .020 QUICK
CONNECT TERMINAL



NOTES

- 1 - BLACK PLASTIC CASE AND PLUNGER
- 2 - NOMINAL CUTOUT DIMENSION FOR PANELS BETWEEN .045 AND 1.455 INTERPOLATED BETWEEN 1.445 AND 1.455
- 3 - PUSH TO OPERATE - MOMENTARY, PULL TO OPERATE - MAINTAINED

ANSI Y14.5M-1982 APPLIES

REPLACES

RELEASE NO. PR-2116

10

CHECK

REVISIONS

A 100

100-3528

23 JUL 92

CHECK

CHECK

DRAWN
DMD/CAD

92

JUL 23

DHD

CATALOG LISTING
2DM409

ISSUE

