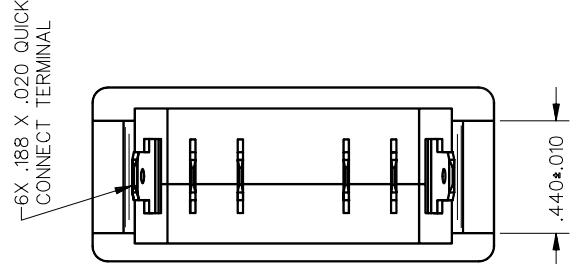
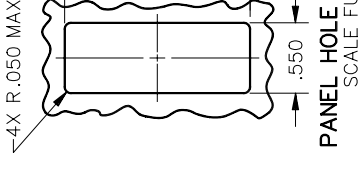
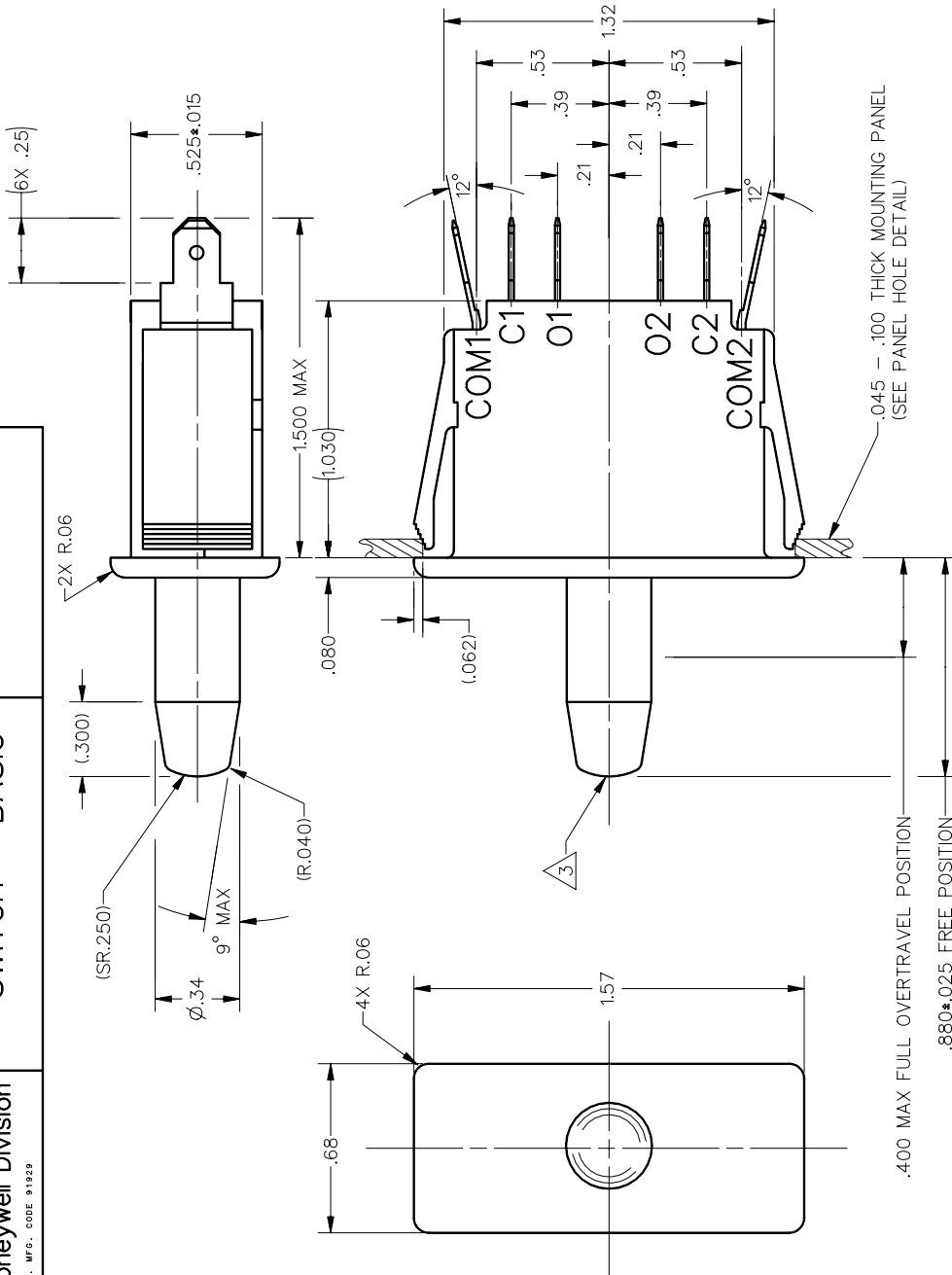


MICRO SWITCH
a Honeywell Division
FED. MFG. CODE 91929

SWITCH — BASIC

CATALOG LISTING
2DM1



<p>THIS DRAWING COVERS A PROPRIETARY ITEM AND IS THE PROPERTY OF MICRO SWITCH, A DIVISION OF HONEYWELL. THIS DRAWING IS NOT TO BE COPIED OR USED WITHOUT THE APPROVAL OF MICRO SWITCH.</p>		<p>THIRD ANGLE PROJECTION</p>
<p>CHARACTERISTICS</p> <p>OPERATING FORCE — 24 OZ MAX (TO OPERATE BOTH CIRCUITS)</p> <p>RELEASE FORCE — 6 OZ MIN (TO RELEASE BOTH CIRCUITS)</p> <p>DIFFERENTIAL TRAVEL — $.045$ APPROX (EACH CIRCUIT)</p>		<p>SCALE 2 TO 1</p> <p>DO NOT SCALE PRINT</p> <p>UNLESS OTHERWISE SPECIFIED TOLERANCES ARE</p> <p>ONE PLACE $(.01) \pm .030$</p> <p>TWO PLACE $(.00) \pm .015$</p> <p>THREE PLACE $(.000) \pm .005$</p> <p>ANGLES $\pm 5^\circ$</p> <p>WEIGHT</p>
<p>ELECTRICAL DATA</p> <p>CONTACT ARRANGEMENT D P D T</p> <p>L181 10A 1/2HP 125, 250 OR 277 VAC</p>		<p>THIS DRAWING IS THE PROPERTY OF MICRO SWITCH, A DIVISION OF HONEYWELL. THIS DRAWING IS NOT TO BE COPIED OR USED WITHOUT THE APPROVAL OF MICRO SWITCH.</p>
<p>NOTES</p> <p>1 — BLACK PLASTIC CASE AND PLUNGER</p> <p>2 — NOMINAL CUTOFF DIMENSION FOR PANELS BETWEEN $.045$ AND $.100$ SHOULD BE INTERPOLATED BETWEEN 1.445 AND 1.455</p> <p>3 — PUSH TO OPERATE — MOMENTARY</p>		

ANSI Y14.5M-1982 APPLIES