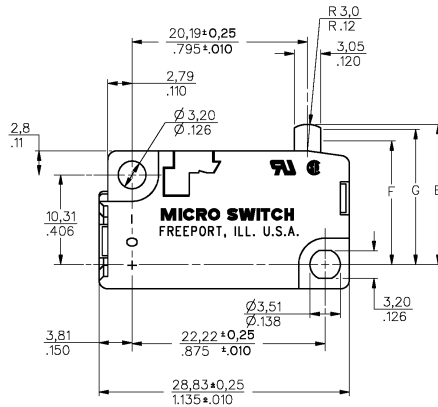
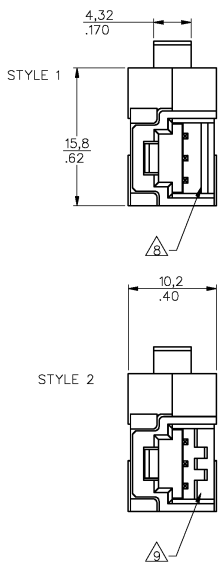


M VX SERIES
CHART 1



ABSOLUTE MAXIMUM RATINGS

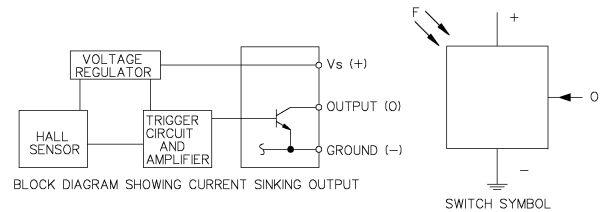
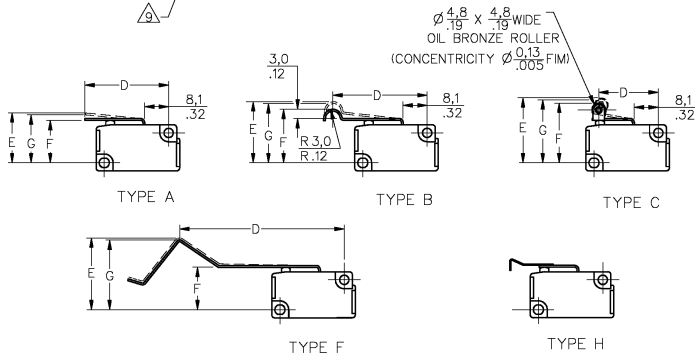
SUPPLY VOLTAGE (V _S)	-24 TO +28 VOLTS DC
VOLTAGE EXTERNALLY APPLIED TO OUTPUT	28 VOLTS DC MAX WITH OUTPUT TRANSISTOR IN OFF CONDITION ONLY /TV6/
	-0.5 VOLTS MIN WITH OUTPUT TRANSISTOR IN ON OR OFF CONDITION /TV8/
LOAD ON OUTPUT	20mA
TEMPERATURE /TT/	-40°C TO +70°C EXCEPT SPECIAL LISTINGS

ELECTRICAL CHARACTERISTICS

	MIN	TYP	MAX	REMARKS
SUPPLY CURRENT /TA/		5mA	15mA	OUTPUT TRANSISTOR OFF /6/
OUTPUT VOLTAGE /TV3/ (OUTPUT TRANSISTOR ON) /SV6/	0.15V	0.4V		SINKING 10mA MAX
OUTPUT LEAKAGE CURRENT (OUTPUT TRANSISTOR OFF) /AV6/			10µA	LEAKAGE INTO SWITCH OUTPUT
OUTPUT SWITCHING TIME (SINKING 10mA) /TV5/				
RISE TIME	0.5µS	1.5µS	10% TO 90%	
FALL TIME	0.5µS	1.0µS	90% TO 10%	

NOTES

- △ REFER TO CHART TO DETERMINE THE UNACTUATED OUTPUT VOLTAGE AND OUTPUT TRANSISTOR STATE
- △ AT 24°C ± 2°C AND SUPPLY VOLTAGE OF 4.5 TO 24 VOLTS DC
- △ OVER A TEMPERATURE RANGE OF 0°C TO +70°C
- △ LEVER MAY NOT BE SELF RETURNING WHEN MOUNTED WITH WEIGHT OF LEVER ON SWITCH PLUNGER
- △ SUPPLY VOLTAGE OF 4.5 TO 24 VOLTS DC
- △ "TRANSISTOR ON" CONDITION IS DEFINED TO BE WHEN THE OUTPUT TRANSISTOR IS CONDUCTING CURRENT
- 7 - BLACK PLUNGER INDICATES NORMALLY HIGH OUTPUT; RED PLUNGER INDICATES NORMALLY LOW OUTPUT
- △ ACCEPTS CONNECTOR EQUIVALENT TO AMP PART NO. 102241-1
- △ ACCEPTS CONNECTOR EQUIVALENT TO MOLEX PART NO. 50-57-9403
- △ SPECIAL LEVER FORM
- △ SPECIAL TEMPERATURE FOR GE -40°C TO +60°C



REV 1 51 082
 A 0579962
 B 774 98
 C 0083741
 D 0083780
 E 0083780
 F 0083780
 G 0083780
 H 0083780
 I 0083780
 J 0083780
 K 0083780
 L 0083780
 M 0083780
 N 0083780
 O 0083780
 P 0083780
 Q 0083780
 R 0083780
 S 0083780
 T 0083780
 U 0083780
 V 0083780
 W 0083780
 X 0083780
 Y 0083780
 Z 0083780
 AA 0083780
 AB 0083780
 AC 0083780
 AD 0083780
 AE 0083780
 AF 0083780
 AG 0083780
 AH 0083780
 AI 0083780
 AJ 0083780
 AK 0083780
 AL 0083780
 AM 0083780
 AN 0083780
 AO 0083780
 AP 0083780
 AQ 0083780
 AR 0083780
 AS 0083780
 AT 0083780
 AU 0083780
 AV 0083780
 AW 0083780
 AX 0083780
 AY 0083780
 AZ 0083780
 BA 0083780
 BB 0083780
 BC 0083780
 BD 0083780
 BE 0083780
 BF 0083780
 BG 0083780
 BH 0083780
 BI 0083780
 BJ 0083780
 BK 0083780
 BL 0083780
 BM 0083780
 BN 0083780
 BO 0083780
 BP 0083780
 BQ 0083780
 BR 0083780
 BS 0083780
 BT 0083780
 BU 0083780
 BV 0083780
 BW 0083780
 BX 0083780
 BY 0083780
 BZ 0083780
 CA 0083780
 CB 0083780
 CC 0083780
 CD 0083780
 CE 0083780
 CF 0083780
 CG 0083780
 CH 0083780
 CI 0083780
 CJ 0083780
 CK 0083780
 CL 0083780
 CM 0083780
 CN 0083780
 CO 0083780
 CP 0083780
 CQ 0083780
 CR 0083780
 CS 0083780
 CT 0083780
 CU 0083780
 CV 0083780
 CW 0083780
 CX 0083780
 CY 0083780
 CZ 0083780
 DA 0083780
 DB 0083780
 DC 0083780
 DD 0083780
 DE 0083780
 DF 0083780
 DG 0083780
 DH 0083780
 DI 0083780
 DJ 0083780
 DK 0083780
 DL 0083780
 DM 0083780
 DN 0083780
 DO 0083780
 DP 0083780
 DQ 0083780
 DR 0083780
 DS 0083780
 DT 0083780
 DU 0083780
 DV 0083780
 DW 0083780
 DX 0083780
 DY 0083780
 DZ 0083780
 EA 0083780
 EB 0083780
 EC 0083780
 ED 0083780
 EE 0083780
 EF 0083780
 EG 0083780
 EH 0083780
 EI 0083780
 EJ 0083780
 EK 0083780
 EL 0083780
 EM 0083780
 EN 0083780
 EO 0083780
 EP 0083780
 EQ 0083780
 ER 0083780
 ES 0083780
 ET 0083780
 EU 0083780
 EV 0083780
 EW 0083780
 EX 0083780
 EY 0083780
 EZ 0083780
 FA 0083780
 FB 0083780
 FC 0083780
 FD 0083780
 FE 0083780
 FF 0083780
 FG 0083780
 FH 0083780
 FI 0083780
 FJ 0083780
 FK 0083780
 FL 0083780
 FM 0083780
 FN 0083780
 FO 0083780
 FP 0083780
 FQ 0083780
 FR 0083780
 FS 0083780
 FT 0083780
 FU 0083780
 FV 0083780
 FW 0083780
 FX 0083780
 FY 0083780
 FZ 0083780
 GA 0083780
 GB 0083780
 GC 0083780
 GD 0083780
 GE 0083780
 GF 0083780
 GH 0083780
 GI 0083780
 GJ 0083780
 GK 0083780
 GL 0083780
 GM 0083780
 GN 0083780
 GO 0083780
 GP 0083780
 GQ 0083780
 GR 0083780
 GS 0083780
 GT 0083780
 GU 0083780
 GV 0083780
 GW 0083780
 GX 0083780
 GY 0083780
 GZ 0083780
 HA 0083780
 HB 0083780
 HC 0083780
 HD 0083780
 HE 0083780
 HF 0083780
 HG 0083780
 HH 0083780
 HI 0083780
 HJ 0083780
 HK 0083780
 HL 0083780
 HM 0083780
 HN 0083780
 HO 0083780
 HP 0083780
 HQ 0083780
 HR 0083780
 HS 0083780
 HT 0083780
 HU 0083780
 HV 0083780
 HW 0083780
 HX 0083780
 HY 0083780
 HZ 0083780
 IA 0083780
 IB 0083780
 IC 0083780
 ID 0083780
 IE 0083780
 IF 0083780
 IG 0083780
 IH 0083780
 II 0083780
 IJ 0083780
 IK 0083780
 IL 0083780
 IM 0083780
 IN 0083780
 IO 0083780
 IP 0083780
 IQ 0083780
 IR 0083780
 IS 0083780
 IT 0083780
 IU 0083780
 IV 0083780
 IW 0083780
 IX 0083780
 IY 0083780
 IZ 0083780
 JA 0083780
 JB 0083780
 JC 0083780
 JD 0083780
 JE 0083780
 JF 0083780
 JG 0083780
 JH 0083780
 JI 0083780
 JJ 0083780
 JK 0083780
 JL 0083780
 JM 0083780
 JN 0083780
 JO 0083780
 JP 0083780
 JQ 0083780
 JR 0083780
 JS 0083780
 JT 0083780
 JU 0083780
 JV 0083780
 JW 0083780
 JX 0083780
 JY 0083780
 JZ 0083780
 KA 0083780
 KB 0083780
 KC 0083780
 KD 0083780
 KE 0083780
 KF 0083780
 KG 0083780
 KH 0083780
 KI 0083780
 KJ 0083780
 KL 0083780
 KM 0083780
 KN 0083780
 KO 0083780
 KP 0083780
 KQ 0083780
 KR 0083780
 KS 0083780
 KT 0083780
 KU 0083780
 KV 0083780
 KW 0083780
 KX 0083780
 KY 0083780
 KZ 0083780
 LA 0083780
 LB 0083780
 LC 0083780
 LD 0083780
 LE 0083780
 LF 0083780
 LG 0083780
 LH 0083780
 LI 0083780
 LJ 0083780
 LK 0083780
 LL 0083780
 LM 0083780
 LN 0083780
 LO 0083780
 LP 0083780
 LQ 0083780
 LR 0083780
 LS 0083780
 LT 0083780
 LU 0083780
 LV 0083780
 LW 0083780
 LX 0083780
 LY 0083780
 LZ 0083780
 MA 0083780
 MB 0083780
 MC 0083780
 MD 0083780
 ME 0083780
 MF 0083780
 MG 0083780
 MH 0083780
 MI 0083780
 MJ 0083780
 MK 0083780
 ML 0083780
 MM 0083780
 MN 0083780
 MO 0083780
 MP 0083780
 MQ 0083780
 MR 0083780
 MS 0083780
 MT 0083780
 MU 0083780
 MV 0083780
 MW 0083780
 MX 0083780
 MY 0083780
 MZ 0083780
 NA 0083780
 NB 0083780
 NC 0083780
 ND 0083780
 NE 0083780
 NF 0083780
 NG 0083780
 NH 0083780
 NI 0083780
 NJ 0083780
 NK 0083780
 NL 0083780
 NM 0083780
 NN 0083780
 NO 0083780
 NP 0083780
 NQ 0083780
 NR 0083780
 NS 0083780
 NT 0083780
 NU 0083780
 NV 0083780
 NW 0083780
 NX 0083780
 NY 0083780
 NZ 0083780
 OA 0083780
 OB 0083780
 OC 0083780
 OD 0083780
 OE 0083780
 OF 0083780
 OG 0083780
 OH 0083780
 OI 0083780
 OJ 0083780
 OK 0083780
 OL 0083780
 OM 0083780
 ON 0083780
 OO 0083780
 OP 0083780
 OQ 0083780
 OR 0083780
 OS 0083780
 OT 0083780
 OU 0083780
 OV 0083780
 OW 0083780
 OX 0083780
 OY 0083780
 OZ 0083780
 PA 0083780
 PB 0083780
 PC 0083780
 PD 0083780
 PE 0083780
 PF 0083780
 PG 0083780
 PH 0083780
 PI 0083780
 PJ 0083780
 PK 0083780
 PL 0083780
 PM 0083780
 PN 0083780
 PO 0083780
 PP 0083780
 PQ 0083780
 PR 0083780
 PS 0083780
 PT 0083780
 PU 0083780
 PV 0083780
 PW 0083780
 PX 0083780
 PY 0083780
 PZ 0083780
 QA 0083780
 QB 0083780
 QC 0083780
 QD 0083780
 QE 0083780
 QF 0083780
 QG 0083780
 QH 0083780
 QI 0083780
 QJ 0083780
 QK 0083780
 QL 0083780
 QM 0083780
 QN 0083780
 QO 0083780
 QP 0083780
 QQ 0083780
 QR 0083780
 QS 0083780
 QT 0083780
 QU 0083780
 QV 0083780
 QW 0083780
 QX 0083780
 QY 0083780
 QZ 0083780
 RA 0083780
 RB 0083780
 RC 0083780
 RD 0083780
 RE 0083780
 RF 0083780
 RG 0083780
 RH 0083780
 RI 0083780
 RJ 0083780
 RK 0083780
 RL 0083780
 RM 0083780
 RN 0083780
 RO 0083780
 RP 0083780
 RQ 0083780
 RR 0083780
 RS 0083780
 RT 0083780
 RU 0083780
 RV 0083780
 RW 0083780
 RX 0083780
 RY 0083780
 RZ 0083780
 SA 0083780
 SB 0083780
 SC 0083780
 SD 0083780
 SE 0083780
 SF 0083780
 SG 0083780
 SH 0083780
 SI 0083780
 SJ 0083780
 SK 0083780
 SL 0083780
 SM 0083780
 SN 0083780
 SO 0083780
 SP 0083780
 SQ 0083780
 SR 0083780
 SS 0083780
 ST 0083780
 SU 0083780
 SV 0083780
 SW 0083780
 SX 0083780
 SY 0083780
 SZ 0083780
 TA 0083780
 TB 0083780
 TC 0083780
 TD 0083780
 TE 0083780
 TF 0083780
 TG 0083780
 TH 0083780
 TI 0083780
 TJ 0083780
 TK 0083780
 TL 0083780
 TM 0083780
 TN 0083780
 TO 0083780
 TP 0083780
 TQ 0083780
 TR 0083780
 TS 0083780
 TT 0083780
 TU 0083780
 TV 0083780
 TW 0083780
 TX 0083780
 TY 0083780
 TZ 0083780
 UA 0083780
 UB 0083780
 UC 0083780
 UD 0083780
 UE 0083780
 UF 0083780
 UG 0083780
 UH 0083780
 UI 0083780
 UJ 0083780
 UK 0083780
 UL 0083780
 UM 0083780
 UN 0083780
 UO 0083780
 UP 0083780
 UQ 0083780
 UR 0083780
 US 0083780
 UT 0083780
 UV 0083780
 UW 0083780
 UX 0083780
 UY 0083780
 UZ 0083780
 VA 0083780
 VB 0083780
 VC 0083780
 VD 0083780
 VE 0083780
 VF 0083780
 VG 0083780
 VH 0083780
 VI 0083780
 VJ 0083780
 VK 0083780
 VL 0083780
 VM 0083780
 VN 0083780
 VO 0083780
 VP 0083780
 VQ 0083780
 VR 0083780
 VS 0083780
 VT 0083780
 VU 0083780
 VV 0083780
 VW 0083780
 VX 0083780
 VY 0083780
 VZ 0083780
 WA 0083780
 WB 0083780
 WC 0083780
 WD 0083780
 WE 0083780
 WF 0083780
 WG 0083780
 WH 0083780
 WI 0083780
 WJ 0083780
 WK 0083780
 WL 0083780
 WM 0083780
 WN 0083780
 WO 0083780
 WP 0083780
 WQ 0083780
 WR 0083780
 WS 0083780
 WT 0083780
 WU 0083780
 WV 0083780
 WW 0083780
 WX 0083780
 WY 0083780
 WZ 0083780
 XA 0083780
 XB 0083780
 XC 0083780
 XD 0083780
 XE 0083780
 XF 0083780
 XG 0083780
 XH 0083780
 XI 0083780
 XJ 0083780
 XK 0083780
 XL 0083780
 XM 0083780
 XN 0083780
 XO 0083780
 XP 0083780
 XQ 0083780
 XR 0083780
 XS 0083780
 XT 0083780
 XU 0083780
 XV 0083780
 XW 0083780
 XX 0083780
 XY 0083780
 XZ 0083780
 YA 0083780
 YB 0083780
 YC 0083780
 YD 0083780
 YE 0083780
 YF 0083780
 YG 0083780
 YH 0083780
 YI 0083780
 YJ 0083780
 YK 0083780
 YL 0083780
 YM 0083780
 YN 0083780
 YO 0083780
 YP 0083780
 YQ 0083780
 YR 0083780
 YS 0083780
 YT 0083780
 YU 0083780
 YV 0083780
 YW 0083780
 YX 0083780
 YY 0083780
 YZ 0083780
 ZA 0083780
 ZB 0083780
 ZC 0083780
 ZD 0083780
 ZE 0083780
 ZF 0083780
 ZG 0083780
 ZH 0083780
 ZI 0083780
 ZJ 0083780
 ZK 0083780
 ZL 0083780
 ZM 0083780
 ZN 0083780
 ZO 0083780
 ZP 0083780
 ZQ 0083780
 ZR 0083780
 ZS 0083780
 ZT 0083780
 ZU 0083780
 ZV 0083780
 ZW 0083780
 ZX 0083780
 ZY 0083780
 ZZ 0083780
 FORMTEK
 DRAWING
 J. A. F. / FEB 85
 RELEASE NO. PR-12882
 PARTS LIST X809886-VX

THIS DRAWING COVERS A PROPRIETARY ITEM AND IS THE PROPERTY OF MICRO SWITCH, A DIVISION OF HONEYWELL. THIS DRAWING IS NOT TO BE COPIED OR USED WITHOUT THE APPROVAL OF MICRO SWITCH.

MICRO SWITCH
a Honeywell Division

SWITCH - SOLID STATE

CATALOG LISTING
VX SERIES
CHART 1

THIRD ANGLE PROJECTION
SCALE 3 : 1
DO NOT SCALE PRINT
UNLESS OTHERWISE SPECIFIED TOLERANCES ARE
ONE PLACE (L0) ±.030
TWO PLACES (L00) ±.015
THREE PLACES (L000) ±.005
ANGLES ±
WEIGHT

ESD SENSITIVE CLASS 3

REV. MFG. CODE 61826

"D" LEVER ACTUATION POINT	LEVER TYPE	"E" FREE POSITION (MAX)	"F" OPERATION POINT (MIN)	"G" RELEASE POINT (MAX)	OVER- TRAVEL (MIN)	DIFF TRAVEL (MIN)	FORCE AT OPERATE POINT		UNACTUATED OUTPUT VOLTAGE	OUTPUT TRANSISTOR (/6)	CATALOG LISTING								
							OUNCES	GRAMS			STYLE 1 (/8)	STYLE 2 (/9)							
.795	NONE	16.38 .645	14.22 .580	15.54 .612	.102	.005 .002	.35 +.18	10 +5	HIGH	OFF	VX10	VX12							
							.35 -.14	10 -4	LOW	ON	VX11	VX13							
.860	A	17.27 .680	14.71 .579	16.33 .643	.102	.005 .002	3.0+.88	85+25	HIGH	OFF	VX80	(H)							
							.35+.2	10+5	LOW	ON	VX10-A1	VX12-A1							
							2.8+1.1	80+30	HIGH	OFF	VX80-A1	(H)							
							0.2+.1	5 +3 -2	LOW	ON	VX10-A2	(H)							
1.400	A	19.28 .759	13.94 .549	17.32 .682	2.16 .085	0.10 .004	1.41+.50	40+15	HIGH	OFF	VX80-A2	VX82-A2							
							.10+.07	3+2	LOW	ON	VX10-A3	VX12-A3							
							.75 +.35 -25	21+9	HIGH	OFF	VX80-A3	(H)							
							0.20+.15	5 +4 -2	LOW	ON	VX10-B1	VX12-B1							
1.285	B	22.23 .875	17.02 .670	20.52 .808	1.91 .075	0.10 .004	1.55+.53	44+15	HIGH	OFF	VX11-B1	VX13-B1							
							.40+.20	12+5	LOW	ON	VX10-C1	VX12-C1							
							3.0+1.06	85+30	HIGH	OFF	VX80-C1	VX13-C1							
							0.20+.10	5 -2	LOW	ON	VX10-B1	VX12-B1							
.810	C	22.48 .885	19.99 .787	21.62 .851	.102	.005 .002	3.0+1.06	85+30	HIGH	OFF	VX80-B1	(H)							
							.35 +.18 -.14	10 +5 -4	LOW	ON	VX10-GE								
							1.226	F	25.73 1.015	21.72 .855	23.98 .944	1.65 .065	0.13 .005	.35 +.18 -.14	10 +5 -4	HIGH	OFF	VX10-F1 VX11-F1	
							1.250	F	25.58 1.007	21.72 .855	23.83 .938	1.65 .065	0.13 .005	.35 +.18 -.14	10 +5 -4	HIGH	OFF	VX10-FA	

NOTE
 MEASUREMENTS TAKEN OVER PLUNGER

FORMTEK
 DRAWING NO. 21
 VX SERIES CHART 1
 PAGE 2 OF 4
 REVISIONS
 J. A. S. BAUCER
 J. A. F. LOBDEGERS
 J. A. F. LINDANER
 X80986-VX



THIS DRAWING COVERS A PROPRIETARY ITEM AND IS THE PROPERTY OF MICRO SWITCH, A DIVISION OF HONEYWELL. THIS DRAWING IS NOT TO BE COPIED OR USED WITHOUT THE APPROVAL OF MICRO SWITCH.

MICRO SWITCH
a Honeywell Division

SWITCH - SOLID STATE

CATALOG LISTING
VX SERIES
CHART 1

THIRD ANGLE PROJECTION	
SCALE	NONE
DO NOT SCALE PRINT	
UNLESS OTHERWISE SPECIFIED TOLERANCES ARE	
ONE PLACE (L)	±.030
TWO PLACES (L0)	±.015
THREE PLACES (L00)	±.005
ANGLES	±
WEIGHT	

MASTER REDUCED
ANSI Y14.5M-1982 APPLIES

UNLESS OTHERWISE NOTED MECHANICAL CHARACTERISTICS ARE GIVEN ON LEVER OVER PLUNGER

"D" LEVER ACTUATION POINT	LEVER TYPE	"E" FREE POSITION (MAXI)		"F" OPERATION POINT (MIN)		"G" RELEASE POINT (MAXI)		OVER-TRAVEL (MIN)		DIFF TRAVEL (MIN)		FORCE AT OPERATE POINT		UNACTUATED OUTPUT VOLTAGE	OUTPUT TRANSISTOR	CATALOG LISTING		COMMENTS
		17.02 .670	14.86 .585	16.18 .637	0.91 .036	0.05 .002	.35 -.14	10 -4	OUNCES	GRAMS	STYLE 1	STYLE 2						
.795	F/A	17.02 .670	14.86 .585	16.18 .637	0.91 .036	0.05 .002	.35 -.14	10 -4	HIGH	OFF	VX10-F4							GENICOM DRAWING NO. 44AS01960-001
.795	H	17.02 .670	15.37 .605	16.69 .657	0.91 .036	0.05 .002	.35 -.14	10 -4	HIGH	OFF								
.795	F/A	17.02 .670	14.86 .585	16.18 .637	0.91 .036	0.05 .002	.35 -.14	10 -4	LOW	ON								
.795	H	17.02 .670	15.37 .605	16.69 .657	0.91 .036	0.05 .002	.35 -.14	10 -4	HIGH	OFF	VX10-H2							
	NONE	16.38 .645	14.22 .560	15.54 .612	1.02 .040	0.05 .002	1.2 .18	34 4.5	HIGH	OFF	VX30HP							
.795	A	17.02 .670	14.86 .585	16.18 .637	0.91 .036	0.05 .002	.35 -.14	10 -4	HIGH	OFF								
.795	F	17.02 .670	14.86 .585	16.18 .637	0.91 .036	0.05 .002	.35 -.14	10 -4	HIGH	OFF								
.795	F	17.02 .670	14.86 .585	16.18 .637	0.91 .036	0.05 .002	.35 -.14	10 -4	HIGH	OFF	VX10-F8							
.810	C	22.48 .885	19.99 .787	21.62 .851	1.02 .040	0.05 .002	.19 .09	5.4 2.6	HIGH	OFF	VX10-C1L							

DRAWING NUMBER: VX SERIES CHART 1
 PAGE: 21
 RELEASE NO.: PR-13520
 REVISION: X80986-VX
 REVISIONS:
 A) 08/08/88
 B) 02/21/88
 C) 01/09/88
 D) 08/04/88
 E) 07/18/88
 F) 02/27/88
 G) 02/04/88
 H) 02/03/88
 I) 02/03/88
 J) 02/03/88
 K) 02/03/88
 L) 02/03/88
 M) 02/03/88
 N) 02/03/88
 O) 02/03/88
 P) 02/03/88
 Q) 02/03/88
 R) 02/03/88
 S) 02/03/88
 T) 02/03/88
 U) 02/03/88
 V) 02/03/88
 W) 02/03/88
 X) 02/03/88
 Y) 02/03/88
 Z) 02/03/88
 AA) 02/03/88
 AB) 02/03/88
 AC) 02/03/88
 AD) 02/03/88
 AE) 02/03/88
 AF) 02/03/88
 AG) 02/03/88
 AH) 02/03/88
 AI) 02/03/88
 AJ) 02/03/88
 AK) 02/03/88
 AL) 02/03/88
 AM) 02/03/88
 AN) 02/03/88
 AO) 02/03/88
 AP) 02/03/88
 AQ) 02/03/88
 AR) 02/03/88
 AS) 02/03/88
 AT) 02/03/88
 AU) 02/03/88
 AV) 02/03/88
 AW) 02/03/88
 AX) 02/03/88
 AY) 02/03/88
 AZ) 02/03/88
 BA) 02/03/88
 BB) 02/03/88
 BC) 02/03/88
 BD) 02/03/88
 BE) 02/03/88
 BF) 02/03/88
 BG) 02/03/88
 BH) 02/03/88
 BI) 02/03/88
 BJ) 02/03/88
 BK) 02/03/88
 BL) 02/03/88
 BM) 02/03/88
 BN) 02/03/88
 BO) 02/03/88
 BP) 02/03/88
 BQ) 02/03/88
 BR) 02/03/88
 BS) 02/03/88
 BT) 02/03/88
 BU) 02/03/88
 BV) 02/03/88
 BW) 02/03/88
 BX) 02/03/88
 BY) 02/03/88
 BZ) 02/03/88
 CA) 02/03/88
 CB) 02/03/88
 CC) 02/03/88
 CD) 02/03/88
 CE) 02/03/88
 CF) 02/03/88
 CG) 02/03/88
 CH) 02/03/88
 CI) 02/03/88
 CJ) 02/03/88
 CK) 02/03/88
 CL) 02/03/88
 CM) 02/03/88
 CN) 02/03/88
 CO) 02/03/88
 CP) 02/03/88
 CQ) 02/03/88
 CR) 02/03/88
 CS) 02/03/88
 CT) 02/03/88
 CU) 02/03/88
 CV) 02/03/88
 CW) 02/03/88
 CX) 02/03/88
 CY) 02/03/88
 CZ) 02/03/88
 DA) 02/03/88
 DB) 02/03/88
 DC) 02/03/88
 DD) 02/03/88
 DE) 02/03/88
 DF) 02/03/88
 DG) 02/03/88
 DH) 02/03/88
 DI) 02/03/88
 DJ) 02/03/88
 DK) 02/03/88
 DL) 02/03/88
 DM) 02/03/88
 DN) 02/03/88
 DO) 02/03/88
 DP) 02/03/88
 DQ) 02/03/88
 DR) 02/03/88
 DS) 02/03/88
 DT) 02/03/88
 DU) 02/03/88
 DV) 02/03/88
 DW) 02/03/88
 DX) 02/03/88
 DY) 02/03/88
 DZ) 02/03/88
 EA) 02/03/88
 EB) 02/03/88
 EC) 02/03/88
 ED) 02/03/88
 EE) 02/03/88
 EF) 02/03/88
 EG) 02/03/88
 EH) 02/03/88
 EI) 02/03/88
 EJ) 02/03/88
 EK) 02/03/88
 EL) 02/03/88
 EM) 02/03/88
 EN) 02/03/88
 EO) 02/03/88
 EP) 02/03/88
 EQ) 02/03/88
 ER) 02/03/88
 ES) 02/03/88
 ET) 02/03/88
 EU) 02/03/88
 EV) 02/03/88
 EW) 02/03/88
 EX) 02/03/88
 EY) 02/03/88
 EZ) 02/03/88
 FA) 02/03/88
 FB) 02/03/88
 FC) 02/03/88
 FD) 02/03/88
 FE) 02/03/88
 FF) 02/03/88
 FG) 02/03/88
 FH) 02/03/88
 FI) 02/03/88
 FJ) 02/03/88
 FK) 02/03/88
 FL) 02/03/88
 FM) 02/03/88
 FN) 02/03/88
 FO) 02/03/88
 FP) 02/03/88
 FQ) 02/03/88
 FR) 02/03/88
 FS) 02/03/88
 FT) 02/03/88
 FU) 02/03/88
 FV) 02/03/88
 FW) 02/03/88
 FX) 02/03/88
 FY) 02/03/88
 FZ) 02/03/88
 GA) 02/03/88
 GB) 02/03/88
 GC) 02/03/88
 GD) 02/03/88
 GE) 02/03/88
 GF) 02/03/88
 GH) 02/03/88
 GI) 02/03/88
 GJ) 02/03/88
 GK) 02/03/88
 GL) 02/03/88
 GM) 02/03/88
 GN) 02/03/88
 GO) 02/03/88
 GP) 02/03/88
 GQ) 02/03/88
 GR) 02/03/88
 GS) 02/03/88
 GT) 02/03/88
 GU) 02/03/88
 GV) 02/03/88
 GW) 02/03/88
 GX) 02/03/88
 GY) 02/03/88
 GZ) 02/03/88
 HA) 02/03/88
 HB) 02/03/88
 HC) 02/03/88
 HD) 02/03/88
 HE) 02/03/88
 HF) 02/03/88
 HG) 02/03/88
 HH) 02/03/88
 HI) 02/03/88
 HJ) 02/03/88
 HK) 02/03/88
 HL) 02/03/88
 HM) 02/03/88
 HN) 02/03/88
 HO) 02/03/88
 HP) 02/03/88
 HQ) 02/03/88
 HR) 02/03/88
 HS) 02/03/88
 HT) 02/03/88
 HU) 02/03/88
 HV) 02/03/88
 HW) 02/03/88
 HX) 02/03/88
 HY) 02/03/88
 HZ) 02/03/88
 IA) 02/03/88
 IB) 02/03/88
 IC) 02/03/88
 ID) 02/03/88
 IE) 02/03/88
 IF) 02/03/88
 IG) 02/03/88
 IH) 02/03/88
 II) 02/03/88
 IJ) 02/03/88
 IK) 02/03/88
 IL) 02/03/88
 IM) 02/03/88
 IN) 02/03/88
 IO) 02/03/88
 IP) 02/03/88
 IQ) 02/03/88
 IR) 02/03/88
 IS) 02/03/88
 IT) 02/03/88
 IU) 02/03/88
 IV) 02/03/88
 IW) 02/03/88
 IX) 02/03/88
 IY) 02/03/88
 IZ) 02/03/88
 JA) 02/03/88
 JB) 02/03/88
 JC) 02/03/88
 JD) 02/03/88
 JE) 02/03/88
 JF) 02/03/88
 JG) 02/03/88
 JH) 02/03/88
 JI) 02/03/88
 JJ) 02/03/88
 JK) 02/03/88
 JL) 02/03/88
 JM) 02/03/88
 JN) 02/03/88
 JO) 02/03/88
 JP) 02/03/88
 JQ) 02/03/88
 JR) 02/03/88
 JS) 02/03/88
 JT) 02/03/88
 JU) 02/03/88
 JV) 02/03/88
 JW) 02/03/88
 JX) 02/03/88
 JY) 02/03/88
 JZ) 02/03/88
 KA) 02/03/88
 KB) 02/03/88
 KC) 02/03/88
 KD) 02/03/88
 KE) 02/03/88
 KF) 02/03/88
 KG) 02/03/88
 KH) 02/03/88
 KI) 02/03/88
 KJ) 02/03/88
 KK) 02/03/88
 KL) 02/03/88
 KM) 02/03/88
 KN) 02/03/88
 KO) 02/03/88
 KP) 02/03/88
 KQ) 02/03/88
 KR) 02/03/88
 KS) 02/03/88
 KT) 02/03/88
 KU) 02/03/88
 KV) 02/03/88
 KW) 02/03/88
 KX) 02/03/88
 KY) 02/03/88
 KZ) 02/03/88
 LA) 02/03/88
 LB) 02/03/88
 LC) 02/03/88
 LD) 02/03/88
 LE) 02/03/88
 LF) 02/03/88
 LG) 02/03/88
 LH) 02/03/88
 LI) 02/03/88
 LJ) 02/03/88
 LK) 02/03/88
 LL) 02/03/88
 LM) 02/03/88
 LN) 02/03/88
 LO) 02/03/88
 LP) 02/03/88
 LQ) 02/03/88
 LR) 02/03/88
 LS) 02/03/88
 LT) 02/03/88
 LU) 02/03/88
 LV) 02/03/88
 LW) 02/03/88
 LX) 02/03/88
 LY) 02/03/88
 LZ) 02/03/88
 MA) 02/03/88
 MB) 02/03/88
 MC) 02/03/88
 MD) 02/03/88
 ME) 02/03/88
 MF) 02/03/88
 MG) 02/03/88
 MH) 02/03/88
 MI) 02/03/88
 MJ) 02/03/88
 MK) 02/03/88
 ML) 02/03/88
 MN) 02/03/88
 MO) 02/03/88
 MP) 02/03/88
 MQ) 02/03/88
 MR) 02/03/88
 MS) 02/03/88
 MT) 02/03/88
 MU) 02/03/88
 MV) 02/03/88
 MW) 02/03/88
 MX) 02/03/88
 MY) 02/03/88
 MZ) 02/03/88
 NA) 02/03/88
 NB) 02/03/88
 NC) 02/03/88
 ND) 02/03/88
 NE) 02/03/88
 NF) 02/03/88
 NG) 02/03/88
 NH) 02/03/88
 NI) 02/03/88
 NJ) 02/03/88
 NK) 02/03/88
 NL) 02/03/88
 NM) 02/03/88
 NO) 02/03/88
 NP) 02/03/88
 NQ) 02/03/88
 NR) 02/03/88
 NS) 02/03/88
 NT) 02/03/88
 NU) 02/03/88
 NV) 02/03/88
 NW) 02/03/88
 NX) 02/03/88
 NY) 02/03/88
 NZ) 02/03/88
 OA) 02/03/88
 OB) 02/03/88
 OC) 02/03/88
 OD) 02/03/88
 OE) 02/03/88
 OF) 02/03/88
 OG) 02/03/88
 OH) 02/03/88
 OI) 02/03/88
 OJ) 02/03/88
 OK) 02/03/88
 OL) 02/03/88
 OM) 02/03/88
 ON) 02/03/88
 OO) 02/03/88
 OP) 02/03/88
 OQ) 02/03/88
 OR) 02/03/88
 OS) 02/03/88
 OT) 02/03/88
 OU) 02/03/88
 OV) 02/03/88
 OW) 02/03/88
 OX) 02/03/88
 OY) 02/03/88
 OZ) 02/03/88
 PA) 02/03/88
 PB) 02/03/88
 PC) 02/03/88
 PD) 02/03/88
 PE) 02/03/88
 PF) 02/03/88
 PG) 02/03/88
 PH) 02/03/88
 PI) 02/03/88
 PJ) 02/03/88
 PK) 02/03/88
 PL) 02/03/88
 PM) 02/03/88
 PN) 02/03/88
 PO) 02/03/88
 PP) 02/03/88
 PQ) 02/03/88
 PR) 02/03/88
 PS) 02/03/88
 PT) 02/03/88
 PU) 02/03/88
 PV) 02/03/88
 PW) 02/03/88
 PX) 02/03/88
 PY) 02/03/88
 PZ) 02/03/88
 QA) 02/03/88
 QB) 02/03/88
 QC) 02/03/88
 QD) 02/03/88
 QE) 02/03/88
 QF) 02/03/88
 QG) 02/03/88
 QH) 02/03/88
 QI) 02/03/88
 QJ) 02/03/88
 QK) 02/03/88
 QL) 02/03/88
 QM) 02/03/88
 QN) 02/03/88
 QO) 02/03/88
 QP) 02/03/88
 QQ) 02/03/88
 QR) 02/03/88
 QS) 02/03/88
 QT) 02/03/88
 QU) 02/03/88
 QV) 02/03/88
 QW) 02/03/88
 QX) 02/03/88
 QY) 02/03/88
 QZ) 02/03/88
 RA) 02/03/88
 RB) 02/03/88
 RC) 02/03/88
 RD) 02/03/88
 RE) 02/03/88
 RF) 02/03/88
 RG) 02/03/88
 RH) 02/03/88
 RI) 02/03/88
 RJ) 02/03/88
 RK) 02/03/88
 RL) 02/03/88
 RM) 02/03/88
 RN) 02/03/88
 RO) 02/03/88
 RP) 02/03/88
 RQ) 02/03/88
 RR) 02/03/88
 RS) 02/03/88
 RT) 02/03/88
 RU) 02/03/88
 RV) 02/03/88
 RW) 02/03/88
 RX) 02/03/88
 RY) 02/03/88
 RZ) 02/03/88
 SA) 02/03/88
 SB) 02/03/88
 SC) 02/03/88
 SD) 02/03/88
 SE) 02/03/88
 SF) 02/03/88
 SG) 02/03/88
 SH) 02/03/88
 SI) 02/03/88
 SJ) 02/03/88
 SK) 02/03/88
 SL) 02/03/88
 SM) 02/03/88
 SN) 02/03/88
 SO) 02/03/88
 SP) 02/03/88
 SQ) 02/03/88
 SR) 02/03/88
 SS) 02/03/88
 ST) 02/03/88
 SU) 02/03/88
 SV) 02/03/88
 SW) 02/03/88
 SX) 02/03/88
 SY) 02/03/88
 SZ) 02/03/88
 TA) 02/03/88
 TB) 02/03/88
 TC) 02/03/88
 TD) 02/03/88
 TE) 02/03/88
 TF) 02/03/88
 TG) 02/03/88
 TH) 02/03/88
 TI) 02/03/88
 TJ) 02/03/88
 TK) 02/03/88
 TL) 02/03/88
 TM) 02/03/88
 TN) 02/03/88
 TO) 02/03/88
 TP) 02/03/88
 TQ) 02/03/88
 TR) 02/03/88
 TS) 02/03/88
 TT) 02/03/88
 TU) 02/03/88
 TV) 02/03/88
 TW) 02/03/88
 TX) 02/03/88
 TY) 02/03/88
 TZ) 02/03/88
 UA) 02/03/88
 UB) 02/03/88
 UC) 02/03/88
 UD) 02/03/88
 UE) 02/03/88
 UF) 02/03/88
 UG) 02/03/88
 UH) 02/03/88
 UI) 02/03/88
 UJ) 02/03/88
 UK) 02/03/88
 UL) 02/03/88
 UM) 02/03/88
 UN) 02/03/88
 UO) 02/03/88
 UP) 02/03/88
 UQ) 02/03/88
 UR) 02/03/88
 US) 02/03/88
 UT) 02/03/88
 UY) 02/03/88
 UZ) 02/03/88
 VA) 02/03/88
 VB) 02/03/88
 VC) 02/03/88
 VD) 02/03/88
 VE) 02/03/88
 VF) 02/03/88
 VG) 02/03/88
 VH) 02/03/88
 VI) 02/03/88
 VJ) 02/03/88
 VK) 02/03/88
 VL) 02/03/88
 VM) 02/03/88
 VN) 02/03/88
 VO) 02/03/88
 VP) 02/03/88
 VQ) 02/03/88
 VR) 02/03/88
 VS) 02/03/88
 VT) 02/03/88
 VY) 02/03/88
 VZ) 02/03/88
 WA) 02/03/88
 WB) 02/03/88
 WC) 02/03/88
 WD) 02/03/88
 WE) 02/03/88
 WF) 02/03/88
 WG) 02/03/88
 WH) 02/03/88
 WI) 02/03/88
 WJ) 02/03/88
 WK) 02/03/88
 WL) 02/03/88
 WM) 02/03/88
 WN) 02/03/88
 WO) 02/03/88
 WP) 02/03/88
 WQ) 02/03/88
 WR) 02/03/88
 WS) 02/03/88
 WT) 02/03/88
 WY) 02/03/88
 WZ) 02/03/88
 XA) 02/03/88
 XB) 02/03/88
 XC) 02/03/88
 XD) 02/03/88
 XE) 02/03/88
 XF) 02/03/88
 XG) 02/03/88
 XH) 02/03/88
 XI) 02/03/88
 XJ) 02/03/88
 XK) 02/03/88
 XL) 02/03/88
 XM) 02/03/88
 XN) 02/03/88
 XO) 02/03/88
 XP) 02/03/88
 XQ) 02/03/88
 XR) 02/03/88
 XS) 02/03/88
 XT) 02/03/88
 XY) 02/03/88
 XZ) 02/03/88
 YA) 02/03/88
 YB) 02/03/88
 YC) 02/03/88
 YD) 02/03/88
 YE) 02/03/88
 YF) 02/03/88
 YG) 02/03/88
 YH) 02/03/88
 YI) 02/03/88
 YJ) 02/03/88
 YK) 02/03/88
 YL) 02/03/88
 YM) 02/03/88
 YN) 02/03/88
 YO) 02/03/88
 YP) 02/03/88
 YQ) 02/03/88
 YR) 02/03/88
 YS) 02/03/88
 YT) 02/03/88
 YZ) 02/03/88
 ZA) 02/03/88
 ZB) 02/03/88
 ZC) 02/03/88
 ZD) 02/03/88
 ZE) 02/03/88
 ZF) 02/03/88
 ZG) 02/03/88
 ZH) 02/03/88
 ZI) 02/03/88
 ZJ) 02/03/88
 ZK) 02/03/88
 ZL) 02/03/88
 ZM) 02/03/88
 ZN) 02/03/88
 ZO) 02/03/

UNLESS OTHERWISE NOTED MECHANICAL CHARACTERISTICS ARE GIVEN ON LEVER OVER PLUNGER

"D" LEVER ACTUATION POINT	LEVER TYPE	"E" FREE POSITION (MAX)	"F" OPERATION POINT (MIN)	"G" RELEASE POINT (MAX)	OVER-TRAVEL (MIN)	DIFF. TRAVEL (MIN)	FORCE AT OPERATE POINT		UNACTUATED OUTPUT VOLTAGE	OUTPUT TRANSISTOR	CATALOG LISTING		IBM DRAWING NO.	COMMENTS
							OUNCES	GRAMS			STYLE 1	STYLE 2		
.795	F	17.02 .670	14.86 .585	16.18 .637	0.91 .036	0.05 .002	.35	+18 -14	10 -4	HIGH	OFF	VX10-F1	4592340	
.795	F	17.02 .670	14.86 .585	16.18 .637	0.91 .036	0.05 .002	.35	+18 -14	10 -4	HIGH	OFF	(F)	4593242	
.795	F	17.02 .670	14.86 .585	16.18 .637	0.91 .036	0.05 .002	.35	+18 -14	10 -4	HIGH	OFF	(E)	4593470	
.795	F	17.02 .670	14.86 .585	16.18 .637	0.91 .036	0.05 .002	.35	+18 -14	10 -4	HIGH	OFF	(E)	4592552	

IBM CORPORATION SWITCHES ONLY THIS PAGE

DRAWING NUMBER: VX SERIES CHART 1
 PAGE: 4 OF 4
 RELEASE NO.: PR-11487
 PARTS: XR0986-VX
 ISSUE: 21
 REV. 1: 08/81
 A: 08/81
 B: 08/81
 C: 08/81
 D: 08/81
 E: 08/81
 F: 08/81
 G: 08/81
 H: 08/81
 I: 08/81
 J: 08/81
 K: 08/81
 L: 08/81
 M: 08/81
 N: 08/81
 O: 08/81
 P: 08/81
 Q: 08/81
 R: 08/81
 S: 08/81
 T: 08/81
 U: 08/81
 V: 08/81
 W: 08/81
 X: 08/81
 Y: 08/81
 Z: 08/81
 AA: 08/81
 AB: 08/81
 AC: 08/81
 AD: 08/81
 AE: 08/81
 AF: 08/81
 AG: 08/81
 AH: 08/81
 AI: 08/81
 AJ: 08/81
 AK: 08/81
 AL: 08/81
 AM: 08/81
 AN: 08/81
 AO: 08/81
 AP: 08/81
 AQ: 08/81
 AR: 08/81
 AS: 08/81
 AT: 08/81
 AU: 08/81
 AV: 08/81
 AW: 08/81
 AX: 08/81
 AY: 08/81
 AZ: 08/81
 BA: 08/81
 BB: 08/81
 BC: 08/81
 BD: 08/81
 BE: 08/81
 BF: 08/81
 BG: 08/81
 BH: 08/81
 BI: 08/81
 BJ: 08/81
 BK: 08/81
 BL: 08/81
 BM: 08/81
 BN: 08/81
 BO: 08/81
 BP: 08/81
 BQ: 08/81
 BR: 08/81
 BS: 08/81
 BT: 08/81
 BU: 08/81
 BV: 08/81
 BW: 08/81
 BX: 08/81
 BY: 08/81
 BZ: 08/81
 CA: 08/81
 CB: 08/81
 CC: 08/81
 CD: 08/81
 CE: 08/81
 CF: 08/81
 CG: 08/81
 CH: 08/81
 CI: 08/81
 CJ: 08/81
 CK: 08/81
 CL: 08/81
 CM: 08/81
 CN: 08/81
 CO: 08/81
 CP: 08/81
 CQ: 08/81
 CR: 08/81
 CS: 08/81
 CT: 08/81
 CU: 08/81
 CV: 08/81
 CW: 08/81
 CX: 08/81
 CY: 08/81
 CZ: 08/81
 DA: 08/81
 DB: 08/81
 DC: 08/81
 DD: 08/81
 DE: 08/81
 DF: 08/81
 DG: 08/81
 DH: 08/81
 DI: 08/81
 DJ: 08/81
 DK: 08/81
 DL: 08/81
 DM: 08/81
 DN: 08/81
 DO: 08/81
 DP: 08/81
 DQ: 08/81
 DR: 08/81
 DS: 08/81
 DT: 08/81
 DU: 08/81
 DV: 08/81
 DW: 08/81
 DX: 08/81
 DY: 08/81
 DZ: 08/81
 EA: 08/81
 EB: 08/81
 EC: 08/81
 ED: 08/81
 EE: 08/81
 EF: 08/81
 EG: 08/81
 EH: 08/81
 EI: 08/81
 EJ: 08/81
 EK: 08/81
 EL: 08/81
 EM: 08/81
 EN: 08/81
 EO: 08/81
 EP: 08/81
 EQ: 08/81
 ER: 08/81
 ES: 08/81
 ET: 08/81
 EU: 08/81
 EV: 08/81
 EW: 08/81
 EX: 08/81
 EY: 08/81
 EZ: 08/81
 FA: 08/81
 FB: 08/81
 FC: 08/81
 FD: 08/81
 FE: 08/81
 FF: 08/81
 FG: 08/81
 FH: 08/81
 FI: 08/81
 FJ: 08/81
 FK: 08/81
 FL: 08/81
 FM: 08/81
 FN: 08/81
 FO: 08/81
 FP: 08/81
 FQ: 08/81
 FR: 08/81
 FS: 08/81
 FT: 08/81
 FU: 08/81
 FV: 08/81
 FW: 08/81
 FX: 08/81
 FY: 08/81
 FZ: 08/81
 GA: 08/81
 GB: 08/81
 GC: 08/81
 GD: 08/81
 GE: 08/81
 GF: 08/81
 GG: 08/81
 GH: 08/81
 GI: 08/81
 GJ: 08/81
 GK: 08/81
 GL: 08/81
 GM: 08/81
 GN: 08/81
 GO: 08/81
 GP: 08/81
 GQ: 08/81
 GR: 08/81
 GS: 08/81
 GT: 08/81
 GU: 08/81
 GV: 08/81
 GW: 08/81
 GX: 08/81
 GY: 08/81
 GZ: 08/81
 HA: 08/81
 HB: 08/81
 HC: 08/81
 HD: 08/81
 HE: 08/81
 HF: 08/81
 HG: 08/81
 HH: 08/81
 HI: 08/81
 HJ: 08/81
 HK: 08/81
 HL: 08/81
 HM: 08/81
 HN: 08/81
 HO: 08/81
 HP: 08/81
 HQ: 08/81
 HR: 08/81
 HS: 08/81
 HT: 08/81
 HU: 08/81
 HV: 08/81
 HW: 08/81
 HX: 08/81
 HY: 08/81
 HZ: 08/81
 IA: 08/81
 IB: 08/81
 IC: 08/81
 ID: 08/81
 IE: 08/81
 IF: 08/81
 IG: 08/81
 IH: 08/81
 II: 08/81
 IJ: 08/81
 IK: 08/81
 IL: 08/81
 IM: 08/81
 IN: 08/81
 IO: 08/81
 IP: 08/81
 IQ: 08/81
 IR: 08/81
 IS: 08/81
 IT: 08/81
 IU: 08/81
 IV: 08/81
 IW: 08/81
 IX: 08/81
 IY: 08/81
 IZ: 08/81
 JA: 08/81
 JB: 08/81
 JC: 08/81
 JD: 08/81
 JE: 08/81
 JF: 08/81
 JG: 08/81
 JH: 08/81
 JI: 08/81
 JJ: 08/81
 JK: 08/81
 JL: 08/81
 JM: 08/81
 JN: 08/81
 JO: 08/81
 JP: 08/81
 JQ: 08/81
 JR: 08/81
 JS: 08/81
 JT: 08/81
 JU: 08/81
 JV: 08/81
 JW: 08/81
 JX: 08/81
 JY: 08/81
 JZ: 08/81
 KA: 08/81
 KB: 08/81
 KC: 08/81
 KD: 08/81
 KE: 08/81
 KF: 08/81
 KG: 08/81
 KH: 08/81
 KI: 08/81
 KJ: 08/81
 KK: 08/81
 KL: 08/81
 KM: 08/81
 KN: 08/81
 KO: 08/81
 KP: 08/81
 KQ: 08/81
 KR: 08/81
 KS: 08/81
 KT: 08/81
 KU: 08/81
 KV: 08/81
 KW: 08/81
 KX: 08/81
 KY: 08/81
 KZ: 08/81
 LA: 08/81
 LB: 08/81
 LC: 08/81
 LD: 08/81
 LE: 08/81
 LF: 08/81
 LG: 08/81
 LH: 08/81
 LI: 08/81
 LJ: 08/81
 LK: 08/81
 LL: 08/81
 LM: 08/81
 LN: 08/81
 LO: 08/81
 LP: 08/81
 LQ: 08/81
 LR: 08/81
 LS: 08/81
 LT: 08/81
 LU: 08/81
 LV: 08/81
 LW: 08/81
 LX: 08/81
 LY: 08/81
 LZ: 08/81
 MA: 08/81
 MB: 08/81
 MC: 08/81
 MD: 08/81
 ME: 08/81
 MF: 08/81
 MG: 08/81
 MH: 08/81
 MI: 08/81
 MJ: 08/81
 MK: 08/81
 ML: 08/81
 MM: 08/81
 MN: 08/81
 MO: 08/81
 MP: 08/81
 MQ: 08/81
 MR: 08/81
 MS: 08/81
 MT: 08/81
 MU: 08/81
 MV: 08/81
 MW: 08/81
 MX: 08/81
 MY: 08/81
 MZ: 08/81
 NA: 08/81
 NB: 08/81
 NC: 08/81
 ND: 08/81
 NE: 08/81
 NF: 08/81
 NG: 08/81
 NH: 08/81
 NI: 08/81
 NJ: 08/81
 NK: 08/81
 NL: 08/81
 NM: 08/81
 NN: 08/81
 NO: 08/81
 NP: 08/81
 NQ: 08/81
 NR: 08/81
 NS: 08/81
 NT: 08/81
 NU: 08/81
 NV: 08/81
 NW: 08/81
 NX: 08/81
 NY: 08/81
 NZ: 08/81
 OA: 08/81
 OB: 08/81
 OC: 08/81
 OD: 08/81
 OE: 08/81
 OF: 08/81
 OG: 08/81
 OH: 08/81
 OI: 08/81
 OJ: 08/81
 OK: 08/81
 OL: 08/81
 OM: 08/81
 ON: 08/81
 OO: 08/81
 OP: 08/81
 OQ: 08/81
 OR: 08/81
 OS: 08/81
 OT: 08/81
 OU: 08/81
 OV: 08/81
 OW: 08/81
 OX: 08/81
 OY: 08/81
 OZ: 08/81
 PA: 08/81
 PB: 08/81
 PC: 08/81
 PD: 08/81
 PE: 08/81
 PF: 08/81
 PG: 08/81
 PH: 08/81
 PI: 08/81
 PJ: 08/81
 PK: 08/81
 PL: 08/81
 PM: 08/81
 PN: 08/81
 PO: 08/81
 PP: 08/81
 PQ: 08/81
 PR: 08/81
 PS: 08/81
 PT: 08/81
 PU: 08/81
 PV: 08/81
 PW: 08/81
 PX: 08/81
 PY: 08/81
 PZ: 08/81
 QA: 08/81
 QB: 08/81
 QC: 08/81
 QD: 08/81
 QE: 08/81
 QF: 08/81
 QG: 08/81
 QH: 08/81
 QI: 08/81
 QJ: 08/81
 QK: 08/81
 QL: 08/81
 QM: 08/81
 QN: 08/81
 QO: 08/81
 QP: 08/81
 QQ: 08/81
 QR: 08/81
 QS: 08/81
 QT: 08/81
 QU: 08/81
 QV: 08/81
 QW: 08/81
 QX: 08/81
 QY: 08/81
 QZ: 08/81
 RA: 08/81
 RB: 08/81
 RC: 08/81
 RD: 08/81
 RE: 08/81
 RF: 08/81
 RG: 08/81
 RH: 08/81
 RI: 08/81
 RJ: 08/81
 RK: 08/81
 RL: 08/81
 RM: 08/81
 RN: 08/81
 RO: 08/81
 RP: 08/81
 RQ: 08/81
 RR: 08/81
 RS: 08/81
 RT: 08/81
 RU: 08/81
 RV: 08/81
 RW: 08/81
 RX: 08/81
 RY: 08/81
 RZ: 08/81
 SA: 08/81
 SB: 08/81
 SC: 08/81
 SD: 08/81
 SE: 08/81
 SF: 08/81
 SG: 08/81
 SH: 08/81
 SI: 08/81
 SJ: 08/81
 SK: 08/81
 SL: 08/81
 SM: 08/81
 SN: 08/81
 SO: 08/81
 SP: 08/81
 SQ: 08/81
 SR: 08/81
 SS: 08/81
 ST: 08/81
 SU: 08/81
 SV: 08/81
 SW: 08/81
 SX: 08/81
 SY: 08/81
 SZ: 08/81
 TA: 08/81
 TB: 08/81
 TC: 08/81
 TD: 08/81
 TE: 08/81
 TF: 08/81
 TG: 08/81
 TH: 08/81
 TI: 08/81
 TJ: 08/81
 TK: 08/81
 TL: 08/81
 TM: 08/81
 TN: 08/81
 TO: 08/81
 TP: 08/81
 TQ: 08/81
 TR: 08/81
 TS: 08/81
 TT: 08/81
 TU: 08/81
 TV: 08/81
 TW: 08/81
 TX: 08/81
 TY: 08/81
 TZ: 08/81
 UA: 08/81
 UB: 08/81
 UC: 08/81
 UD: 08/81
 UE: 08/81
 UF: 08/81
 UG: 08/81
 UH: 08/81
 UI: 08/81
 UJ: 08/81
 UK: 08/81
 UL: 08/81
 UM: 08/81
 UN: 08/81
 UO: 08/81
 UP: 08/81
 UQ: 08/81
 UR: 08/81
 US: 08/81
 UT: 08/81
 UU: 08/81
 UV: 08/81
 UW: 08/81
 UX: 08/81
 UY: 08/81
 UZ: 08/81
 VA: 08/81
 VB: 08/81
 VC: 08/81
 VD: 08/81
 VE: 08/81
 VF: 08/81
 VG: 08/81
 VH: 08/81
 VI: 08/81
 VJ: 08/81
 VK: 08/81
 VL: 08/81
 VM: 08/81
 VN: 08/81
 VO: 08/81
 VP: 08/81
 VQ: 08/81
 VR: 08/81
 VS: 08/81
 VT: 08/81
 VU: 08/81
 VV: 08/81
 VW: 08/81
 VX: 08/81
 VY: 08/81
 VZ: 08/81
 WA: 08/81
 WB: 08/81
 WC: 08/81
 WD: 08/81
 WE: 08/81
 WF: 08/81
 WG: 08/81
 WH: 08/81
 WI: 08/81
 WJ: 08/81
 WK: 08/81
 WL: 08/81
 WM: 08/81
 WN: 08/81
 WO: 08/81
 WP: 08/81
 WQ: 08/81
 WR: 08/81
 WS: 08/81
 WT: 08/81
 WU: 08/81
 WV: 08/81
 WW: 08/81
 WX: 08/81
 WY: 08/81
 WZ: 08/81
 XA: 08/81
 XB: 08/81
 XC: 08/81
 XD: 08/81
 XE: 08/81
 XF: 08/81
 XG: 08/81
 XH: 08/81
 XI: 08/81
 XJ: 08/81
 XK: 08/81
 XL: 08/81
 XM: 08/81
 XN: 08/81
 XO: 08/81
 XP: 08/81
 XQ: 08/81
 XR: 08/81
 XS: 08/81
 XT: 08/81
 XU: 08/81
 XV: 08/81
 XW: 08/81
 XX: 08/81
 XY: 08/81
 XZ: 08/81
 YA: 08/81
 YB: 08/81
 YC: 08/81
 YD: 08/81
 YE: 08/81
 YF: 08/81
 YG: 08/81
 YH: 08/81
 YI: 08/81
 YJ: 08/81
 YK: 08/81
 YL: 08/81
 YM: 08/81
 YN: 08/81
 YO: 08/81
 YP: 08/81
 YQ: 08/81
 YR: 08/81
 YS: 08/81
 YT: 08/81
 YU: 08/81
 YV: 08/81
 YW: 08/81
 YX: 08/81
 YY: 08/81
 YZ: 08/81
 ZA: 08/81
 ZB: 08/81
 ZC: 08/81
 ZD: 08/81
 ZE: 08/81
 ZF: 08/81
 ZG: 08/81
 ZH: 08/81
 ZI: 08/81
 ZJ: 08/81
 ZK: 08/81
 ZL: 08/81
 ZM: 08/81
 ZN: 08/81
 ZO: 08/81
 ZP: 08/81
 ZQ: 08/81
 ZR: 08/81
 ZS: 08/81
 ZT: 08/81
 ZU: 08/81
 ZV: 08/81
 ZW: 08/81
 ZX: 08/81
 ZY: 08/81
 ZZ: 08/81



THIS DRAWING COVERS A PROPRIETARY ITEM AND IS THE PROPERTY OF MICRO SWITCH, A DIVISION OF HONEYWELL. THIS DRAWING IS NOT TO BE COPIED OR USED WITHOUT THE APPROVAL OF MICRO SWITCH.



SWITCH - SOLID STATE

CATALOG LISTING
VX SERIES
CHART 1

THIRD ANGLE PROJECTION	
SCALE	NONE
DO NOT SCALE PRINT	
UNLESS OTHERWISE SPECIFIED TOLERANCES ARE	
ONE PLACE (L)	±.030
TWO PLACES (L0)	±.015
THREE PLACES (L00)	±.005
ANGLES	±
WEIGHT	

MASTER REDUCED
ANSI Y14.5M-1982 APPLIES

FED. MFG. CODE #1826

"D" LEVER ACTUATION POINT	LEVER TYPE	"E" FREE POSITION (MAX)	"F" OPERATION POINT (MIN)	"G" RELEASE POINT (MAX)	OVER- TRAVEL (MIN)	DIFF TRAVEL (MIN)	FORCE AT OPERATE POINT		UNACTUATED OUTPUT VOLTAGE	OUTPUT TRANSISTOR (/6)	CATALOG LISTING	
							OUNCES	GRAMS			/8	/9
.795	NONE	16.38 .645	14.22 .580	15.54 .612	.102	0.05 .002	.35 +.18	10 +5	HIGH	OFF	VX10	VX12
							.35 -.14	10 -4	LOW	ON	VX11	VX13
.860	A	17.27 .680	14.71 .579	16.33 .643	.102	0.05 .002	3.0+.88	85+25	HIGH	OFF	VX80	(H)
									LOW	ON	VX81	(H)
							.35+.2	10+5	HIGH	OFF	VX10-A1	VX12-A1
									LOW	ON	VX11-A1	(H)
1.400	A	19.28 .759	13.94 .549	17.32 .682	2.16 .085	0.10 .004	2.8+1.1	80+30	HIGH	OFF	VX80-A1	(H)
									LOW	ON	VX81-A1	(H)
							0.2+.1	5 +3	HIGH	OFF	VX10-A2	(H)
								5 -2	LOW	ON	VX11-A2	VX13-A2
2.340	A	22.58 .889	12.62 .497	18.97 .747	4.06 .160	0.20 .008	1.4+-.50	40+15	HIGH	OFF	VX80-A2	VX82-A2
									LOW	ON	VX81-A2	
							.10+.07	3+2	HIGH	OFF	VX10-A3	VX12-A3
									LOW	ON	VX11-A3	VX13-A3
1.285	B	22.23 .875	17.02 .670	20.52 .808	1.91 .075	0.10 .004	.75 +.35	21+9	HIGH	OFF	VX80-A3	(H)
							.75 -.25	21-7	LOW	ON	VX81-A3	
							0.20+.15	5 +4	HIGH	OFF	VX10-B1	VX12-B1
								5 -2	LOW	ON	VX11-B1	VX13-B1
.810	C	22.48 .885	19.99 .787	21.62 .851	1.02 .040	0.05 .002	1.55+.53	44+15	HIGH	OFF	VX80-B1	(H)
									LOW	ON	VX81-B1	
							.40+.20	12+5	HIGH	OFF	VX10-C1	VX12-C1
									LOW	ON	VX11-C1	VX13-C1
.795 A	A	17.78 .700	14.73 .580	16.13 .635	.102	0.10 .004	.35 +.18	10 +5	HIGH	OFF	VX80-C1	(H)
							.35 -.14	10 -4	LOW	ON	VX81-C1	
1.226	F	25.73 1.015	21.72 .855	23.98 .944	1.65 .065	0.13 .005	.35 +.18	10 +5	HIGH	OFF	VX10-F1	
							.35 -.14	10 -4	LOW	ON	VX11-F1	
1.250	F	25.58 1.007	21.72 .855	23.83 .938	1.65 .065	0.13 .005	.35 +.18	10 +5	HIGH	OFF	VX10-FA	
							.35 -.14	10 -4	LOW	ON		

NOTE
A MEASUREMENTS TAKEN OVER PLUNGER

FORMTEK
 DRAWING NO. 21
 VX SERIES CHART 1
 PAGE 2 OF 4
 REVISIONS
 1 10-19-82
 2 11-13-82
 3 11-13-82
 4 11-13-82
 5 11-13-82
 6 11-13-82
 7 11-13-82
 8 11-13-82
 9 11-13-82
 10 11-13-82
 11 11-13-82
 12 11-13-82
 13 11-13-82
 14 11-13-82
 15 11-13-82
 16 11-13-82
 17 11-13-82
 18 11-13-82
 19 11-13-82
 20 11-13-82
 21 11-13-82
 22 11-13-82
 23 11-13-82
 24 11-13-82
 25 11-13-82
 26 11-13-82
 27 11-13-82
 28 11-13-82
 29 11-13-82
 30 11-13-82
 31 11-13-82
 32 11-13-82
 33 11-13-82
 34 11-13-82
 35 11-13-82
 36 11-13-82
 37 11-13-82
 38 11-13-82
 39 11-13-82
 40 11-13-82
 41 11-13-82
 42 11-13-82
 43 11-13-82
 44 11-13-82
 45 11-13-82
 46 11-13-82
 47 11-13-82
 48 11-13-82
 49 11-13-82
 50 11-13-82
 51 11-13-82
 52 11-13-82
 53 11-13-82
 54 11-13-82
 55 11-13-82
 56 11-13-82
 57 11-13-82
 58 11-13-82
 59 11-13-82
 60 11-13-82
 61 11-13-82
 62 11-13-82
 63 11-13-82
 64 11-13-82
 65 11-13-82
 66 11-13-82
 67 11-13-82
 68 11-13-82
 69 11-13-82
 70 11-13-82
 71 11-13-82
 72 11-13-82
 73 11-13-82
 74 11-13-82
 75 11-13-82
 76 11-13-82
 77 11-13-82
 78 11-13-82
 79 11-13-82
 80 11-13-82
 81 11-13-82
 82 11-13-82
 83 11-13-82
 84 11-13-82
 85 11-13-82
 86 11-13-82
 87 11-13-82
 88 11-13-82
 89 11-13-82
 90 11-13-82
 91 11-13-82
 92 11-13-82
 93 11-13-82
 94 11-13-82
 95 11-13-82
 96 11-13-82
 97 11-13-82
 98 11-13-82
 99 11-13-82
 100 11-13-82
 101 11-13-82
 102 11-13-82
 103 11-13-82
 104 11-13-82
 105 11-13-82
 106 11-13-82
 107 11-13-82
 108 11-13-82
 109 11-13-82
 110 11-13-82
 111 11-13-82
 112 11-13-82
 113 11-13-82
 114 11-13-82
 115 11-13-82
 116 11-13-82
 117 11-13-82
 118 11-13-82
 119 11-13-82
 120 11-13-82
 121 11-13-82
 122 11-13-82
 123 11-13-82
 124 11-13-82
 125 11-13-82
 126 11-13-82
 127 11-13-82
 128 11-13-82
 129 11-13-82
 130 11-13-82
 131 11-13-82
 132 11-13-82
 133 11-13-82
 134 11-13-82
 135 11-13-82
 136 11-13-82
 137 11-13-82
 138 11-13-82
 139 11-13-82
 140 11-13-82
 141 11-13-82
 142 11-13-82
 143 11-13-82
 144 11-13-82
 145 11-13-82
 146 11-13-82
 147 11-13-82
 148 11-13-82
 149 11-13-82
 150 11-13-82
 151 11-13-82
 152 11-13-82
 153 11-13-82
 154 11-13-82
 155 11-13-82
 156 11-13-82
 157 11-13-82
 158 11-13-82
 159 11-13-82
 160 11-13-82
 161 11-13-82
 162 11-13-82
 163 11-13-82
 164 11-13-82
 165 11-13-82
 166 11-13-82
 167 11-13-82
 168 11-13-82
 169 11-13-82
 170 11-13-82
 171 11-13-82
 172 11-13-82
 173 11-13-82
 174 11-13-82
 175 11-13-82
 176 11-13-82
 177 11-13-82
 178 11-13-82
 179 11-13-82
 180 11-13-82
 181 11-13-82
 182 11-13-82
 183 11-13-82
 184 11-13-82
 185 11-13-82
 186 11-13-82
 187 11-13-82
 188 11-13-82
 189 11-13-82
 190 11-13-82
 191 11-13-82
 192 11-13-82
 193 11-13-82
 194 11-13-82
 195 11-13-82
 196 11-13-82
 197 11-13-82
 198 11-13-82
 199 11-13-82
 200 11-13-82
 201 11-13-82
 202 11-13-82
 203 11-13-82
 204 11-13-82
 205 11-13-82
 206 11-13-82
 207 11-13-82
 208 11-13-82
 209 11-13-82
 210 11-13-82
 211 11-13-82
 212 11-13-82
 213 11-13-82
 214 11-13-82
 215 11-13-82
 216 11-13-82
 217 11-13-82
 218 11-13-82
 219 11-13-82
 220 11-13-82
 221 11-13-82
 222 11-13-82
 223 11-13-82
 224 11-13-82
 225 11-13-82
 226 11-13-82
 227 11-13-82
 228 11-13-82
 229 11-13-82
 230 11-13-82
 231 11-13-82
 232 11-13-82
 233 11-13-82
 234 11-13-82
 235 11-13-82
 236 11-13-82
 237 11-13-82
 238 11-13-82
 239 11-13-82
 240 11-13-82
 241 11-13-82
 242 11-13-82
 243 11-13-82
 244 11-13-82
 245 11-13-82
 246 11-13-82
 247 11-13-82
 248 11-13-82
 249 11-13-82
 250 11-13-82
 251 11-13-82
 252 11-13-82
 253 11-13-82
 254 11-13-82
 255 11-13-82
 256 11-13-82
 257 11-13-82
 258 11-13-82
 259 11-13-82
 260 11-13-82
 261 11-13-82
 262 11-13-82
 263 11-13-82
 264 11-13-82
 265 11-13-82
 266 11-13-82
 267 11-13-82
 268 11-13-82
 269 11-13-82
 270 11-13-82
 271 11-13-82
 272 11-13-82
 273 11-13-82
 274 11-13-82
 275 11-13-82
 276 11-13-82
 277 11-13-82
 278 11-13-82
 279 11-13-82
 280 11-13-82
 281 11-13-82
 282 11-13-82
 283 11-13-82
 284 11-13-82
 285 11-13-82
 286 11-13-82
 287 11-13-82
 288 11-13-82
 289 11-13-82
 290 11-13-82
 291 11-13-82
 292 11-13-82
 293 11-13-82
 294 11-13-82
 295 11-13-82
 296 11-13-82
 297 11-13-82
 298 11-13-82
 299 11-13-82
 300 11-13-82
 301 11-13-82
 302 11-13-82
 303 11-13-82
 304 11-13-82
 305 11-13-82
 306 11-13-82
 307 11-13-82
 308 11-13-82
 309 11-13-82
 310 11-13-82
 311 11-13-82
 312 11-13-82
 313 11-13-82
 314 11-13-82
 315 11-13-82
 316 11-13-82
 317 11-13-82
 318 11-13-82
 319 11-13-82
 320 11-13-82
 321 11-13-82
 322 11-13-82
 323 11-13-82
 324 11-13-82
 325 11-13-82
 326 11-13-82
 327 11-13-82
 328 11-13-82
 329 11-13-82
 330 11-13-82
 331 11-13-82
 332 11-13-82
 333 11-13-82
 334 11-13-82
 335 11-13-82
 336 11-13-82
 337 11-13-82
 338 11-13-82
 339 11-13-82
 340 11-13-82
 341 11-13-82
 342 11-13-82
 343 11-13-82
 344 11-13-82
 345 11-13-82
 346 11-13-82
 347 11-13-82
 348 11-13-82
 349 11-13-82
 350 11-13-82
 351 11-13-82
 352 11-13-82
 353 11-13-82
 354 11-13-82
 355 11-13-82
 356 11-13-82
 357 11-13-82
 358 11-13-82
 359 11-13-82
 360 11-13-82
 361 11-13-82
 362 11-13-82
 363 11-13-82
 364 11-13-82
 365 11-13-82
 366 11-13-82
 367 11-13-82
 368 11-13-82
 369 11-13-82
 370 11-13-82
 371 11-13-82
 372 11-13-82
 373 11-13-82
 374 11-13-82
 375 11-13-82
 376 11-13-82
 377 11-13-82
 378 11-13-82
 379 11-13-82
 380 11-13-82
 381 11-13-82
 382 11-13-82
 383 11-13-82
 384 11-13-82
 385 11-13-82
 386 11-13-82
 387 11-13-82
 388 11-13-82
 389 11-13-82
 390 11-13-82
 391 11-13-82
 392 11-13-82
 393 11-13-82
 394 11-13-82
 395 11-13-82
 396 11-13-82
 397 11-13-82
 398 11-13-82
 399 11-13-82
 400 11-13-82
 401 11-13-82
 402 11-13-82
 403 11-13-82
 404 11-13-82
 405 11-13-82
 406 11-13-82
 407 11-13-82
 408 11-13-82
 409 11-13-82
 410 11-13-82
 411 11-13-82
 412 11-13-82
 413 11-13-82
 414 11-13-82
 415 11-13-82
 416 11-13-82
 417 11-13-82
 418 11-13-82
 419 11-13-82
 420 11-13-82
 421 11-13-82
 422 11-13-82
 423 11-13-82
 424 11-13-82
 425 11-13-82
 426 11-13-82
 427 11-13-82
 428 11-13-82
 429 11-13-82
 430 11-13-82
 431 11-13-82
 432 11-13-82
 433 11-13-82
 434 11-13-82
 435 11-13-82
 436 11-13-82
 437 11-13-82
 438 11-13-82
 439 11-13-82
 440 11-13-82
 441 11-13-82
 442 11-13-82
 443 11-13-82
 444 11-13-82
 445 11-13-82
 446 11-13-82
 447 11-13-82
 448 11-13-82
 449 11-13-82
 450 11-13-82
 451 11-13-82
 452 11-13-82
 453 11-13-82
 454 11-13-82
 455 11-13-82
 456 11-13-82
 457 11-13-82
 458 11-13-82
 459 11-13-82
 460 11-13-82
 461 11-13-82
 462 11-13-82
 463 11-13-82
 464 11-13-82
 465 11-13-82
 466 11-13-82
 467 11-13-82
 468 11-13-82
 469 11-13-82
 470 11-13-82
 471 11-13-82
 472 11-13-82
 473 11-13-82
 474 11-13-82
 475 11-13-82
 476 11-13-82
 477 11-13-82
 478 11-13-82
 479 11-13-82
 480 11-13-82
 481 11-13-82
 482 11-13-82
 483 11-13-82
 484 11-13-82
 485 11-13-82
 486 11-13-82
 487 11-13-82
 488 11-13-82
 489 11-13-82
 490 11-13-82
 491 11-13-82
 492 11-13-82
 493 11-13-82
 494 11-13-82
 495 11-13-82
 496 11-13-82
 497 11-13-82
 498 11-13-82
 499 11-13-82
 500 11-13-82
 501 11-13-82
 502 11-13-82
 503 11-13-82
 504 11-13-82
 505 11-13-82
 506 11-13-82
 507 11-13-82
 508 11-13-82
 509 11-13-82
 510 11-13-82
 511 11-13-82
 512 11-13-82
 513 11-13-82
 514 11-13-82
 515 11-13-82
 516 11-13-82
 517 11-13-82
 518 11-13-82
 519 11-13-82
 520 11-13-82
 521 11-13-82
 522 11-13-82
 523 11-13-82
 524 11-13-82
 525 11-13-82
 526 11-13-82
 527 11-13-82
 528 11-13-82
 529 11-13-82
 530 11-13-82
 531 11-13-82
 532 11-13-82
 533 11-13-82
 534 11-13-82
 535 11-13-82
 536 11-13-82
 537 11-13-82
 538 11-13-82
 539 11-13-82
 540 11-13-82
 541 11-13-82
 542 11-13-82
 543 11-13-82
 544 11-13-82
 545 11-13-82
 546 11-13-82
 547 11-13-82

UNLESS OTHERWISE NOTED MECHANICAL CHARACTERISTICS ARE GIVEN ON LEVER OVER PLUNGER

"D" LEVER ACTUATION POINT	LEVER TYPE	"E" FREE POSITION (MAXI)		"F" OPERATION POINT (MIN)		"G" RELEASE POINT (MAXI)		OVER-TRAVEL (MIN)		DIFF TRAVEL (MIN)		FORCE AT OPERATE POINT		UNACTUATED OUTPUT VOLTAGE	OUTPUT TRANSISTOR	CATALOG LISTING		COMMENTS
		17.02 .670	14.86 .585	16.18 .637	0.91 .036	0.05 .002	FORCE	AT OPERATE POINT	OUNCES	GRAMS	STYLE 1	STYLE 2						
.795	F/A	17.02 .670	14.86 .585	16.18 .637	0.91 .036	0.05 .002	.35	+18 -14	10	+5 -4	HIGH	OFF	VX10-F4				GENICOM DRAWING NO. 44AS01960-001	
.795	H	17.02 .670	15.37 .605	16.69 .657	0.91 .036	0.05 .002	.35	+18 -14	10	+5 -4	HIGH	OFF						
.795	F/A	17.02 .670	14.86 .585	16.18 .637	0.91 .036	0.05 .002	.35	+18 -14	10	+5 -4	LOW	ON						
.795	H	17.02 .670	15.37 .605	16.69 .657	0.91 .036	0.05 .002	.35	+18 -14	10	+5 -4	HIGH	OFF	VX10-H2					
	NONE	16.38 .645	14.22 .560	15.54 .612	1.02 .040	0.05 .002	1.2	+18 -14	34	+5 -4	HIGH	OFF	VX30HP					
.795	A	17.02 .670	14.86 .585	16.18 .637	0.91 .036	0.05 .002	.35	+18 -14	10	+5 -4	HIGH	OFF						
.795	F	17.02 .670	14.86 .585	16.18 .637	0.91 .036	0.05 .002	.35	+18 -14	10	+5 -4	HIGH	OFF						
.795	F	17.02 .670	14.86 .585	16.18 .637	0.91 .036	0.05 .002	.35	+18 -14	10	+5 -4	HIGH	OFF	VX10-F8					
.810	C	22.48 .885	19.99 .787	21.62 .851	1.02 .040	0.05 .002	.19	+09	5.4	+2.6	HIGH	OFF	VX10-C1L					

DRAWING NUMBER: VX SERIES CHART 1
 PAGE: 21
 RELEASE NO.: PR-13520
 REVISION: X80986-VX
 REVISIONS:
 A) 08/08/88
 B) 02/21/88
 C) 01/09/88
 D) 08/04/88
 E) 07/18/88
 F) 02/27/88
 G) 02/04/88
 H) 02/04/88
 I) 02/04/88
 J) 02/04/88
 K) 02/04/88
 L) 02/04/88
 M) 02/04/88
 N) 02/04/88
 O) 02/04/88
 P) 02/04/88
 Q) 02/04/88
 R) 02/04/88
 S) 02/04/88
 T) 02/04/88
 U) 02/04/88
 V) 02/04/88
 W) 02/04/88
 X) 02/04/88
 Y) 02/04/88
 Z) 02/04/88
 AA) 02/04/88
 AB) 02/04/88
 AC) 02/04/88
 AD) 02/04/88
 AE) 02/04/88
 AF) 02/04/88
 AG) 02/04/88
 AH) 02/04/88
 AI) 02/04/88
 AJ) 02/04/88
 AK) 02/04/88
 AL) 02/04/88
 AM) 02/04/88
 AN) 02/04/88
 AO) 02/04/88
 AP) 02/04/88
 AQ) 02/04/88
 AR) 02/04/88
 AS) 02/04/88
 AT) 02/04/88
 AU) 02/04/88
 AV) 02/04/88
 AW) 02/04/88
 AX) 02/04/88
 AY) 02/04/88
 AZ) 02/04/88
 BA) 02/04/88
 BB) 02/04/88
 BC) 02/04/88
 BD) 02/04/88
 BE) 02/04/88
 BF) 02/04/88
 BG) 02/04/88
 BH) 02/04/88
 BI) 02/04/88
 BJ) 02/04/88
 BK) 02/04/88
 BL) 02/04/88
 BM) 02/04/88
 BN) 02/04/88
 BO) 02/04/88
 BP) 02/04/88
 BQ) 02/04/88
 BR) 02/04/88
 BS) 02/04/88
 BT) 02/04/88
 BU) 02/04/88
 BV) 02/04/88
 BW) 02/04/88
 BX) 02/04/88
 BY) 02/04/88
 BZ) 02/04/88
 CA) 02/04/88
 CB) 02/04/88
 CC) 02/04/88
 CD) 02/04/88
 CE) 02/04/88
 CF) 02/04/88
 CG) 02/04/88
 CH) 02/04/88
 CI) 02/04/88
 CJ) 02/04/88
 CK) 02/04/88
 CL) 02/04/88
 CM) 02/04/88
 CN) 02/04/88
 CO) 02/04/88
 CP) 02/04/88
 CQ) 02/04/88
 CR) 02/04/88
 CS) 02/04/88
 CT) 02/04/88
 CU) 02/04/88
 CV) 02/04/88
 CW) 02/04/88
 CX) 02/04/88
 CY) 02/04/88
 CZ) 02/04/88
 DA) 02/04/88
 DB) 02/04/88
 DC) 02/04/88
 DD) 02/04/88
 DE) 02/04/88
 DF) 02/04/88
 DG) 02/04/88
 DH) 02/04/88
 DI) 02/04/88
 DJ) 02/04/88
 DK) 02/04/88
 DL) 02/04/88
 DM) 02/04/88
 DN) 02/04/88
 DO) 02/04/88
 DP) 02/04/88
 DQ) 02/04/88
 DR) 02/04/88
 DS) 02/04/88
 DT) 02/04/88
 DU) 02/04/88
 DV) 02/04/88
 DW) 02/04/88
 DX) 02/04/88
 DY) 02/04/88
 DZ) 02/04/88
 EA) 02/04/88
 EB) 02/04/88
 EC) 02/04/88
 ED) 02/04/88
 EE) 02/04/88
 EF) 02/04/88
 EG) 02/04/88
 EH) 02/04/88
 EI) 02/04/88
 EJ) 02/04/88
 EK) 02/04/88
 EL) 02/04/88
 EM) 02/04/88
 EN) 02/04/88
 EO) 02/04/88
 EP) 02/04/88
 EQ) 02/04/88
 ER) 02/04/88
 ES) 02/04/88
 ET) 02/04/88
 EU) 02/04/88
 EV) 02/04/88
 EW) 02/04/88
 EX) 02/04/88
 EY) 02/04/88
 EZ) 02/04/88
 FA) 02/04/88
 FB) 02/04/88
 FC) 02/04/88
 FD) 02/04/88
 FE) 02/04/88
 FF) 02/04/88
 FG) 02/04/88
 FH) 02/04/88
 FI) 02/04/88
 FJ) 02/04/88
 FK) 02/04/88
 FL) 02/04/88
 FM) 02/04/88
 FN) 02/04/88
 FO) 02/04/88
 FP) 02/04/88
 FQ) 02/04/88
 FR) 02/04/88
 FS) 02/04/88
 FT) 02/04/88
 FU) 02/04/88
 FV) 02/04/88
 FW) 02/04/88
 FX) 02/04/88
 FY) 02/04/88
 FZ) 02/04/88
 GA) 02/04/88
 GB) 02/04/88
 GC) 02/04/88
 GD) 02/04/88
 GE) 02/04/88
 GF) 02/04/88
 GG) 02/04/88
 GH) 02/04/88
 GI) 02/04/88
 GJ) 02/04/88
 GK) 02/04/88
 GL) 02/04/88
 GM) 02/04/88
 GN) 02/04/88
 GO) 02/04/88
 GP) 02/04/88
 GQ) 02/04/88
 GR) 02/04/88
 GS) 02/04/88
 GT) 02/04/88
 GU) 02/04/88
 GV) 02/04/88
 GW) 02/04/88
 GX) 02/04/88
 GY) 02/04/88
 GZ) 02/04/88
 HA) 02/04/88
 HB) 02/04/88
 HC) 02/04/88
 HD) 02/04/88
 HE) 02/04/88
 HF) 02/04/88
 HG) 02/04/88
 HH) 02/04/88
 HI) 02/04/88
 HJ) 02/04/88
 HK) 02/04/88
 HL) 02/04/88
 HM) 02/04/88
 HN) 02/04/88
 HO) 02/04/88
 HP) 02/04/88
 HQ) 02/04/88
 HR) 02/04/88
 HS) 02/04/88
 HT) 02/04/88
 HU) 02/04/88
 HV) 02/04/88
 HW) 02/04/88
 HX) 02/04/88
 HY) 02/04/88
 HZ) 02/04/88
 IA) 02/04/88
 IB) 02/04/88
 IC) 02/04/88
 ID) 02/04/88
 IE) 02/04/88
 IF) 02/04/88
 IG) 02/04/88
 IH) 02/04/88
 II) 02/04/88
 IJ) 02/04/88
 IK) 02/04/88
 IL) 02/04/88
 IM) 02/04/88
 IN) 02/04/88
 IO) 02/04/88
 IP) 02/04/88
 IQ) 02/04/88
 IR) 02/04/88
 IS) 02/04/88
 IT) 02/04/88
 IU) 02/04/88
 IV) 02/04/88
 IW) 02/04/88
 IX) 02/04/88
 IY) 02/04/88
 IZ) 02/04/88
 JA) 02/04/88
 JB) 02/04/88
 JC) 02/04/88
 JD) 02/04/88
 JE) 02/04/88
 JF) 02/04/88
 JG) 02/04/88
 JH) 02/04/88
 JI) 02/04/88
 JJ) 02/04/88
 JK) 02/04/88
 JL) 02/04/88
 JM) 02/04/88
 JN) 02/04/88
 JO) 02/04/88
 JP) 02/04/88
 JQ) 02/04/88
 JR) 02/04/88
 JS) 02/04/88
 JT) 02/04/88
 JU) 02/04/88
 JV) 02/04/88
 JW) 02/04/88
 JX) 02/04/88
 JY) 02/04/88
 JZ) 02/04/88
 KA) 02/04/88
 KB) 02/04/88
 KC) 02/04/88
 KD) 02/04/88
 KE) 02/04/88
 KF) 02/04/88
 KG) 02/04/88
 KH) 02/04/88
 KI) 02/04/88
 KJ) 02/04/88
 KK) 02/04/88
 KL) 02/04/88
 KM) 02/04/88
 KN) 02/04/88
 KO) 02/04/88
 KP) 02/04/88
 KQ) 02/04/88
 KR) 02/04/88
 KS) 02/04/88
 KT) 02/04/88
 KU) 02/04/88
 KV) 02/04/88
 KW) 02/04/88
 KX) 02/04/88
 KY) 02/04/88
 KZ) 02/04/88
 LA) 02/04/88
 LB) 02/04/88
 LC) 02/04/88
 LD) 02/04/88
 LE) 02/04/88
 LF) 02/04/88
 LG) 02/04/88
 LH) 02/04/88
 LI) 02/04/88
 LJ) 02/04/88
 LK) 02/04/88
 LL) 02/04/88
 LM) 02/04/88
 LN) 02/04/88
 LO) 02/04/88
 LP) 02/04/88
 LQ) 02/04/88
 LR) 02/04/88
 LS) 02/04/88
 LT) 02/04/88
 LU) 02/04/88
 LV) 02/04/88
 LW) 02/04/88
 LX) 02/04/88
 LY) 02/04/88
 LZ) 02/04/88
 MA) 02/04/88
 MB) 02/04/88
 MC) 02/04/88
 MD) 02/04/88
 ME) 02/04/88
 MF) 02/04/88
 MG) 02/04/88
 MH) 02/04/88
 MI) 02/04/88
 MJ) 02/04/88
 MK) 02/04/88
 ML) 02/04/88
 MM) 02/04/88
 MN) 02/04/88
 MO) 02/04/88
 MP) 02/04/88
 MQ) 02/04/88
 MR) 02/04/88
 MS) 02/04/88
 MT) 02/04/88
 MU) 02/04/88
 MV) 02/04/88
 MW) 02/04/88
 MX) 02/04/88
 MY) 02/04/88
 MZ) 02/04/88
 NA) 02/04/88
 NB) 02/04/88
 NC) 02/04/88
 ND) 02/04/88
 NE) 02/04/88
 NF) 02/04/88
 NG) 02/04/88
 NH) 02/04/88
 NI) 02/04/88
 NJ) 02/04/88
 NK) 02/04/88
 NL) 02/04/88
 NM) 02/04/88
 NN) 02/04/88
 NO) 02/04/88
 NP) 02/04/88
 NQ) 02/04/88
 NR) 02/04/88
 NS) 02/04/88
 NT) 02/04/88
 NU) 02/04/88
 NV) 02/04/88
 NW) 02/04/88
 NX) 02/04/88
 NY) 02/04/88
 NZ) 02/04/88
 OA) 02/04/88
 OB) 02/04/88
 OC) 02/04/88
 OD) 02/04/88
 OE) 02/04/88
 OF) 02/04/88
 OG) 02/04/88
 OH) 02/04/88
 OI) 02/04/88
 OJ) 02/04/88
 OK) 02/04/88
 OL) 02/04/88
 OM) 02/04/88
 ON) 02/04/88
 OO) 02/04/88
 OP) 02/04/88
 OQ) 02/04/88
 OR) 02/04/88
 OS) 02/04/88
 OT) 02/04/88
 OU) 02/04/88
 OV) 02/04/88
 OW) 02/04/88
 OX) 02/04/88
 OY) 02/04/88
 OZ) 02/04/88
 PA) 02/04/88
 PB) 02/04/88
 PC) 02/04/88
 PD) 02/04/88
 PE) 02/04/88
 PF) 02/04/88
 PG) 02/04/88
 PH) 02/04/88
 PI) 02/04/88
 PJ) 02/04/88
 PK) 02/04/88
 PL) 02/04/88
 PM) 02/04/88
 PN) 02/04/88
 PO) 02/04/88
 PP) 02/04/88
 PQ) 02/04/88
 PR) 02/04/88
 PS) 02/04/88
 PT) 02/04/88
 PU) 02/04/88
 PV) 02/04/88
 PW) 02/04/88
 PX) 02/04/88
 PY) 02/04/88
 PZ) 02/04/88
 QA) 02/04/88
 QB) 02/04/88
 QC) 02/04/88
 QD) 02/04/88
 QE) 02/04/88
 QF) 02/04/88
 QG) 02/04/88
 QH) 02/04/88
 QI) 02/04/88
 QJ) 02/04/88
 QK) 02/04/88
 QL) 02/04/88
 QM) 02/04/88
 QN) 02/04/88
 QO) 02/04/88
 QP) 02/04/88
 QQ) 02/04/88
 QR) 02/04/88
 QS) 02/04/88
 QT) 02/04/88
 QU) 02/04/88
 QV) 02/04/88
 QW) 02/04/88
 QX) 02/04/88
 QY) 02/04/88
 QZ) 02/04/88
 RA) 02/04/88
 RB) 02/04/88
 RC) 02/04/88
 RD) 02/04/88
 RE) 02/04/88
 RF) 02/04/88
 RG) 02/04/88
 RH) 02/04/88
 RI) 02/04/88
 RJ) 02/04/88
 RK) 02/04/88
 RL) 02/04/88
 RM) 02/04/88
 RN) 02/04/88
 RO) 02/04/88
 RP) 02/04/88
 RQ) 02/04/88
 RR) 02/04/88
 RS) 02/04/88
 RT) 02/04/88
 RU) 02/04/88
 RV) 02/04/88
 RW) 02/04/88
 RX) 02/04/88
 RY) 02/04/88
 RZ) 02/04/88
 SA) 02/04/88
 SB) 02/04/88
 SC) 02/04/88
 SD) 02/04/88
 SE) 02/04/88
 SF) 02/04/88
 SG) 02/04/88
 SH) 02/04/88
 SI) 02/04/88
 SJ) 02/04/88
 SK) 02/04/88
 SL) 02/04/88
 SM) 02/04/88
 SN) 02/04/88
 SO) 02/04/88
 SP) 02/04/88
 SQ) 02/04/88
 SR) 02/04/88
 SS) 02/04/88
 ST) 02/04/88
 SU) 02/04/88
 SV) 02/04/88
 SW) 02/04/88
 SX) 02/04/88
 SY) 02/04/88
 SZ) 02/04/88
 TA) 02/04/88
 TB) 02/04/88
 TC) 02/04/88
 TD) 02/04/88
 TE) 02/04/88
 TF) 02/04/88
 TG) 02/04/88
 TH) 02/04/88
 TI) 02/04/88
 TJ) 02/04/88
 TK) 02/04/88
 TL) 02/04/88
 TM) 02/04/88
 TN) 02/04/88
 TO) 02/04/88
 TP) 02/04/88
 TQ) 02/04/88
 TR) 02/04/88
 TS) 02/04/88
 TT) 02/04/88
 TU) 02/04/88
 TV) 02/04/88
 TW) 02/04/88
 TX) 02/04/88
 TY) 02/04/88
 TZ) 02/04/88
 UA) 02/04/88
 UB) 02/04/88
 UC) 02/04/88
 UD) 02/04/88
 UE) 02/04/88
 UF) 02/04/88
 UG) 02/04/88
 UH) 02/04/88
 UI) 02/04/88
 UJ) 02/04/88
 UK) 02/04/88
 UL) 02/04/88
 UM) 02/04/88
 UN) 02/04/88
 UO) 02/04/88
 UP) 02/04/88
 UQ) 02/04/88
 UR) 02/04/88
 US) 02/04/88
 UT) 02/04/88
 UY) 02/04/88
 UZ) 02/04/88
 VA) 02/04/88
 VB) 02/04/88
 VC) 02/04/88
 VD) 02/04/88
 VE) 02/04/88
 VF) 02/04/88
 VG) 02/04/88
 VH) 02/04/88
 VI) 02/04/88
 VJ) 02/04/88
 VK) 02/04/88
 VL) 02/04/88
 VM) 02/04/88
 VN) 02/04/88
 VO) 02/04/88
 VP) 02/04/88
 VQ) 02/04/88
 VR) 02/04/88
 VS) 02/04/88
 VT) 02/04/88
 VY) 02/04/88
 VZ) 02/04/88
 WA) 02/04/88
 WB) 02/04/88
 WC) 02/04/88
 WD) 02/04/88
 WE) 02/04/88
 WF) 02/04/88
 WG) 02/04/88
 WH) 02/04/88
 WI) 02/04/88
 WJ) 02/04/88
 WK) 02/04/88
 WL) 02/04/88
 WM) 02/04/88
 WN) 02/04/88
 WO) 02/04/88
 WP) 02/04/88
 WQ) 02/04/88
 WR) 02/04/88
 WS) 02/04/88
 WT) 02/04/88
 WY) 02/04/88
 WZ) 02/04/88
 XA) 02/04/88
 XB) 02/04/88
 XC) 02/04/88
 XD) 02/04/88
 XE) 02/04/88
 XF) 02/04/88
 XG) 02/04/88
 XH) 02/04/88
 XI) 02/04/88
 XJ) 02/04/88
 XK) 02/04/88
 XL) 02/04/88
 XM) 02/04/88
 XN) 02/04/88
 XO) 02/04/88
 XP) 02/04/88
 XQ) 02/04/88
 XR) 02/04/88
 XS) 02/04/88
 XT) 02/04/88
 XY) 02/04/88
 XZ) 02/04/88
 YA) 02/04/88
 YB) 02/04/88
 YC) 02/04/88
 YD) 02/04/88
 YE) 02/04/88
 YF) 02/04/88
 YG) 02/04/88
 YH) 02/04/88
 YI) 02/04/88
 YJ) 02/04/88
 YK) 02/04/88
 YL) 02/04/88
 YM) 02/04/88
 YN) 02/04/88
 YO) 02/04/88
 YP) 02/04/88
 YQ) 02/04/88
 YR) 02/04/88
 YS) 02/04/88
 YT) 02/04/88
 YZ) 02/04/88
 ZA) 02/04/88
 ZB) 02/04/88
 ZC) 02/04/88
 ZD) 02/04/88
 ZE) 02/04/88
 ZF) 02/04/88
 ZG) 02/04/88
 ZH) 02/04/88
 ZI) 02/04/88
 ZJ) 02/04/88
 ZK) 02/04/88
 ZL) 02/04/88
 ZM) 02/04/8

UNLESS OTHERWISE NOTED MECHANICAL CHARACTERISTICS ARE GIVEN ON LEVER OVER PLUNGER

"D" LEVER ACTUATION POINT	LEVER TYPE	"E" FREE POSITION (MAX)	"F" OPERATION POINT (MIN)	"G" RELEASE POINT (MAX)	OVER-TRAVEL (MIN)	DIFF. TRAVEL (MIN)	FORCE AT OPERATE POINT		UNACTUATED OUTPUT VOLTAGE	OUTPUT TRANSISTOR	CATALOG LISTING		IBM DRAWING NO.	COMMENTS
							OUNCES	GRAMS			STYLE 1	STYLE 2		
.795	F	17.02 .670	14.86 .585	16.18 .637	0.91 .036	0.05 .002	.35	+18 -14	10 -4	HIGH	OFF	VX10-F1	4592340	
.795	F	17.02 .670	14.86 .585	16.18 .637	0.91 .036	0.05 .002	.35	+18 -14	10 -4	HIGH	OFF	(F)	4593242	
.795	F	17.02 .670	14.86 .585	16.18 .637	0.91 .036	0.05 .002	.35	+18 -14	10 -4	HIGH	OFF	(E)	4593470	
.795	F	17.02 .670	14.86 .585	16.18 .637	0.91 .036	0.05 .002	.35	+18 -14	10 -4	HIGH	OFF	(E)	4592552	

IBM CORPORATION SWITCHES ONLY THIS PAGE

DRAWING NUMBER: VX SERIES CHART 1
 PAGE: 4 OF 4
 RELEASE NO.: PR-14487
 PARTS: XR0986-VX
 ISSUE: 21
 REVISIONS:
 A 0044025
 B 0044025
 C 0044025
 D 0044025
 E 0044025
 F 0044025
 G 0044025
 H 0044025
 I 0044025
 J 0044025
 K 0044025
 L 0044025
 M 0044025
 N 0044025
 O 0044025
 P 0044025
 Q 0044025
 R 0044025
 S 0044025
 T 0044025
 U 0044025
 V 0044025
 W 0044025
 X 0044025
 Y 0044025
 Z 0044025
 AA 0044025
 AB 0044025
 AC 0044025
 AD 0044025
 AE 0044025
 AF 0044025
 AG 0044025
 AH 0044025
 AI 0044025
 AJ 0044025
 AK 0044025
 AL 0044025
 AM 0044025
 AN 0044025
 AO 0044025
 AP 0044025
 AQ 0044025
 AR 0044025
 AS 0044025
 AT 0044025
 AU 0044025
 AV 0044025
 AW 0044025
 AX 0044025
 AY 0044025
 AZ 0044025
 BA 0044025
 BB 0044025
 BC 0044025
 BD 0044025
 BE 0044025
 BF 0044025
 BG 0044025
 BH 0044025
 BI 0044025
 BJ 0044025
 BK 0044025
 BL 0044025
 BM 0044025
 BN 0044025
 BO 0044025
 BP 0044025
 BQ 0044025
 BR 0044025
 BS 0044025
 BT 0044025
 BU 0044025
 BV 0044025
 BV 0044025
 BW 0044025
 BX 0044025
 BY 0044025
 BZ 0044025
 CA 0044025
 CB 0044025
 CC 0044025
 CD 0044025
 CE 0044025
 CF 0044025
 CG 0044025
 CH 0044025
 CI 0044025
 CJ 0044025
 CK 0044025
 CL 0044025
 CM 0044025
 CN 0044025
 CO 0044025
 CP 0044025
 CQ 0044025
 CR 0044025
 CS 0044025
 CT 0044025
 CU 0044025
 CV 0044025
 CW 0044025
 CX 0044025
 CY 0044025
 CZ 0044025
 DA 0044025
 DB 0044025
 DC 0044025
 DD 0044025
 DE 0044025
 DF 0044025
 DG 0044025
 DH 0044025
 DI 0044025
 DJ 0044025
 DK 0044025
 DL 0044025
 DM 0044025
 DN 0044025
 DO 0044025
 DP 0044025
 DQ 0044025
 DR 0044025
 DS 0044025
 DT 0044025
 DU 0044025
 DV 0044025
 DV 0044025
 DW 0044025
 DX 0044025
 DY 0044025
 DZ 0044025
 EA 0044025
 EB 0044025
 EC 0044025
 ED 0044025
 EE 0044025
 EF 0044025
 EG 0044025
 EH 0044025
 EI 0044025
 EJ 0044025
 EK 0044025
 EL 0044025
 EM 0044025
 EN 0044025
 EO 0044025
 EP 0044025
 EQ 0044025
 ER 0044025
 ES 0044025
 ET 0044025
 EU 0044025
 EV 0044025
 EV 0044025
 EW 0044025
 EX 0044025
 EY 0044025
 EZ 0044025
 FA 0044025
 FB 0044025
 FC 0044025
 FD 0044025
 FE 0044025
 FF 0044025
 FG 0044025
 FH 0044025
 FI 0044025
 FJ 0044025
 FK 0044025
 FL 0044025
 FM 0044025
 FN 0044025
 FO 0044025
 FP 0044025
 FQ 0044025
 FR 0044025
 FS 0044025
 FT 0044025
 FU 0044025
 FV 0044025
 FV 0044025
 FW 0044025
 FX 0044025
 FY 0044025
 FZ 0044025
 GA 0044025
 GB 0044025
 GC 0044025
 GD 0044025
 GE 0044025
 GF 0044025
 GG 0044025
 GH 0044025
 GI 0044025
 GJ 0044025
 GK 0044025
 GL 0044025
 GM 0044025
 GN 0044025
 GO 0044025
 GP 0044025
 GQ 0044025
 GR 0044025
 GS 0044025
 GT 0044025
 GU 0044025
 GV 0044025
 GV 0044025
 GW 0044025
 GX 0044025
 GY 0044025
 GZ 0044025
 HA 0044025
 HB 0044025
 HC 0044025
 HD 0044025
 HE 0044025
 HF 0044025
 HG 0044025
 HH 0044025
 HI 0044025
 HJ 0044025
 HK 0044025
 HL 0044025
 HM 0044025
 HN 0044025
 HO 0044025
 HP 0044025
 HQ 0044025
 HR 0044025
 HS 0044025
 HT 0044025
 HU 0044025
 HV 0044025
 HV 0044025
 HW 0044025
 HX 0044025
 HY 0044025
 HZ 0044025
 IA 0044025
 IB 0044025
 IC 0044025
 ID 0044025
 IE 0044025
 IF 0044025
 IG 0044025
 IH 0044025
 II 0044025
 IJ 0044025
 IK 0044025
 IL 0044025
 IM 0044025
 IN 0044025
 IO 0044025
 IP 0044025
 IQ 0044025
 IR 0044025
 IS 0044025
 IT 0044025
 IU 0044025
 IV 0044025
 IV 0044025
 IW 0044025
 IX 0044025
 IY 0044025
 IZ 0044025
 JA 0044025
 JB 0044025
 JC 0044025
 JD 0044025
 JE 0044025
 JF 0044025
 JG 0044025
 JH 0044025
 JI 0044025
 JJ 0044025
 JK 0044025
 JL 0044025
 JM 0044025
 JN 0044025
 JO 0044025
 JP 0044025
 JQ 0044025
 JR 0044025
 JS 0044025
 JT 0044025
 JU 0044025
 JV 0044025
 JV 0044025
 JW 0044025
 JX 0044025
 JY 0044025
 JZ 0044025
 KA 0044025
 KB 0044025
 KC 0044025
 KD 0044025
 KE 0044025
 KF 0044025
 KG 0044025
 KH 0044025
 KI 0044025
 KJ 0044025
 KK 0044025
 KL 0044025
 KM 0044025
 KN 0044025
 KO 0044025
 KP 0044025
 KQ 0044025
 KR 0044025
 KS 0044025
 KT 0044025
 KU 0044025
 KV 0044025
 KV 0044025
 KW 0044025
 KX 0044025
 KY 0044025
 KZ 0044025
 LA 0044025
 LB 0044025
 LC 0044025
 LD 0044025
 LE 0044025
 LF 0044025
 LG 0044025
 LH 0044025
 LI 0044025
 LJ 0044025
 LK 0044025
 LL 0044025
 LM 0044025
 LN 0044025
 LO 0044025
 LP 0044025
 LQ 0044025
 LR 0044025
 LS 0044025
 LT 0044025
 LU 0044025
 LV 0044025
 LV 0044025
 LW 0044025
 LX 0044025
 LY 0044025
 LZ 0044025
 MA 0044025
 MB 0044025
 MC 0044025
 MD 0044025
 ME 0044025
 MF 0044025
 MG 0044025
 MH 0044025
 MI 0044025
 MJ 0044025
 MK 0044025
 ML 0044025
 MM 0044025
 MN 0044025
 MO 0044025
 MP 0044025
 MQ 0044025
 MR 0044025
 MS 0044025
 MT 0044025
 MU 0044025
 MV 0044025
 MV 0044025
 MW 0044025
 MX 0044025
 MY 0044025
 MZ 0044025
 NA 0044025
 NB 0044025
 NC 0044025
 ND 0044025
 NE 0044025
 NF 0044025
 NG 0044025
 NH 0044025
 NI 0044025
 NJ 0044025
 NK 0044025
 NL 0044025
 NM 0044025
 NN 0044025
 NO 0044025
 NP 0044025
 NQ 0044025
 NR 0044025
 NS 0044025
 NT 0044025
 NU 0044025
 NV 0044025
 NV 0044025
 NW 0044025
 NX 0044025
 NY 0044025
 NZ 0044025
 OA 0044025
 OB 0044025
 OC 0044025
 OD 0044025
 OE 0044025
 OF 0044025
 OG 0044025
 OH 0044025
 OI 0044025
 OJ 0044025
 OK 0044025
 OL 0044025
 OM 0044025
 ON 0044025
 OO 0044025
 OP 0044025
 OQ 0044025
 OR 0044025
 OS 0044025
 OT 0044025
 OU 0044025
 OV 0044025
 OV 0044025
 OW 0044025
 OX 0044025
 OY 0044025
 OZ 0044025
 PA 0044025
 PB 0044025
 PC 0044025
 PD 0044025
 PE 0044025
 PF 0044025
 PG 0044025
 PH 0044025
 PI 0044025
 PJ 0044025
 PK 0044025
 PL 0044025
 PM 0044025
 PN 0044025
 PO 0044025
 PP 0044025
 PQ 0044025
 PR 0044025
 PS 0044025
 PT 0044025
 PU 0044025
 PV 0044025
 PV 0044025
 PW 0044025
 PX 0044025
 PY 0044025
 PZ 0044025
 QA 0044025
 QB 0044025
 QC 0044025
 QD 0044025
 QE 0044025
 QF 0044025
 QG 0044025
 QH 0044025
 QI 0044025
 QJ 0044025
 QK 0044025
 QL 0044025
 QM 0044025
 QN 0044025
 QO 0044025
 QP 0044025
 QQ 0044025
 QR 0044025
 QS 0044025
 QT 0044025
 QU 0044025
 QV 0044025
 QV 0044025
 QW 0044025
 QX 0044025
 QY 0044025
 QZ 0044025
 RA 0044025
 RB 0044025
 RC 0044025
 RD 0044025
 RE 0044025
 RF 0044025
 RG 0044025
 RH 0044025
 RI 0044025
 RJ 0044025
 RK 0044025
 RL 0044025
 RM 0044025
 RN 0044025
 RO 0044025
 RP 0044025
 RQ 0044025
 RR 0044025
 RS 0044025
 RT 0044025
 RU 0044025
 RV 0044025
 RV 0044025
 RW 0044025
 RX 0044025
 RY 0044025
 RZ 0044025
 SA 0044025
 SB 0044025
 SC 0044025
 SD 0044025
 SE 0044025
 SF 0044025
 SG 0044025
 SH 0044025
 SI 0044025
 SJ 0044025
 SK 0044025
 SL 0044025
 SM 0044025
 SN 0044025
 SO 0044025
 SP 0044025
 SQ 0044025
 SR 0044025
 SS 0044025
 ST 0044025
 SU 0044025
 SV 0044025
 SV 0044025
 SW 0044025
 SX 0044025
 SY 0044025
 SZ 0044025
 TA 0044025
 TB 0044025
 TC 0044025
 TD 0044025
 TE 0044025
 TF 0044025
 TG 0044025
 TH 0044025
 TI 0044025
 TJ 0044025
 TK 0044025
 TL 0044025
 TM 0044025
 TN 0044025
 TO 0044025
 TP 0044025
 TQ 0044025
 TR 0044025
 TS 0044025
 TT 0044025
 TU 0044025
 TV 0044025
 TV 0044025
 TW 0044025
 TX 0044025
 TY 0044025
 TZ 0044025
 UA 0044025
 UB 0044025
 UC 0044025
 UD 0044025
 UE 0044025
 UF 0044025
 UG 0044025
 UH 0044025
 UI 0044025
 UJ 0044025
 UK 0044025
 UL 0044025
 UM 0044025
 UN 0044025
 UO 0044025
 UP 0044025
 UQ 0044025
 UR 0044025
 US 0044025
 UT 0044025
 UU 0044025
 UV 0044025
 UV 0044025
 UW 0044025
 UX 0044025
 UY 0044025
 UZ 0044025
 VA 0044025
 VB 0044025
 VC 0044025
 VD 0044025
 VE 0044025
 VF 0044025
 VG 0044025
 VH 0044025
 VI 0044025
 VJ 0044025
 VK 0044025
 VL 0044025
 VM 0044025
 VN 0044025
 VO 0044025
 VP 0044025
 VQ 0044025
 VR 0044025
 VS 0044025
 VT 0044025
 VU 0044025
 VV 0044025
 VV 0044025
 VW 0044025
 VX 0044025
 VY 0044025
 VZ 0044025
 WA 0044025
 WB 0044025
 WC 0044025
 WD 0044025
 WE 0044025
 WF 0044025
 WG 0044025
 WH 0044025
 WI 0044025
 WJ 0044025
 WK 0044025
 WL 0044025
 WM 0044025
 WN 0044025
 WO 0044025
 WP 0044025
 WQ 0044025
 WR 0044025
 WS 0044025
 WT 0044025
 WU 0044025
 WV 0044025
 WV 0044025
 WW 0044025
 WX 0044025
 WY 0044025
 WZ 0044025
 XA 0044025
 XB 0044025
 XC 0044025
 XD 0044025
 XE 0044025
 XF 0044025
 XG 0044025
 XH 0044025
 XI 0044025
 XJ 0044025
 XK 0044025
 XL 0044025
 XM 0044025
 XN 0044025
 XO 0044025
 XP 0044025
 XQ 0044025
 XR 0044025
 XS 0044025
 XT 0044025
 XU 0044025
 XV 0044025
 XV 0044025
 XW 0044025
 XX 0044025
 XY 0044025
 XZ 0044025
 YA 0044025
 YB 0044025
 YC 0044025
 YD 0044025
 YE 0044025
 YF 0044025
 YG 0044025
 YH 0044025
 YI 0044025
 YJ 0044025
 YK 0044025
 YL 0044025
 YM 0044025
 YN 0044025
 YO 0044025
 YP 0044025
 YQ 0044025
 YR 0044025
 YS 0044025
 YT 0044025
 YU 0044025
 YV 0044025
 YV 0044025
 YW 0044025
 YX 0044025
 YY 0044025
 YZ 0044025
 ZA 0044025
 ZB 0044025
 ZC 0044025
 ZD 0044025
 ZE 0044025
 ZF 0044025
 ZG 0044025
 ZH 0044025
 ZI 0044025
 ZJ 0044025
 ZK 0044025
 ZL 0044025
 ZM 0044025
 ZN 0044025
 ZO 0044025
 ZP 0044025
 ZQ 0044025
 ZR 0044025
 ZS 0044025
 ZT 0044025
 ZU 0044025
 ZV 0044025
 ZV 0044025
 ZW 0044025
 ZX 0044025
 ZY 0044025
 ZZ 0044025



THIS DRAWING COVERS A PROPRIETARY ITEM AND IS THE PROPERTY OF MICRO SWITCH, A DIVISION OF HONEYWELL. THIS DRAWING IS NOT TO BE COPIED OR USED WITHOUT THE APPROVAL OF MICRO SWITCH.



SWITCH - SOLID STATE

CATALOG LISTING
VX SERIES
CHART 1

THIRD ANGLE PROJECTION	
SCALE	NONE
DO NOT SCALE PRINT	
UNLESS OTHERWISE SPECIFIED TOLERANCES ARE	
ONE PLACE (L0)	±.030
TWO PLACES (L00)	±.015
THREE PLACES (L000)	±.005
ANGLES	±
WEIGHT	

MASTER REDUCED
ANSI Y14.5M-1982 APPLIES

FED. MFG. CODE #1826