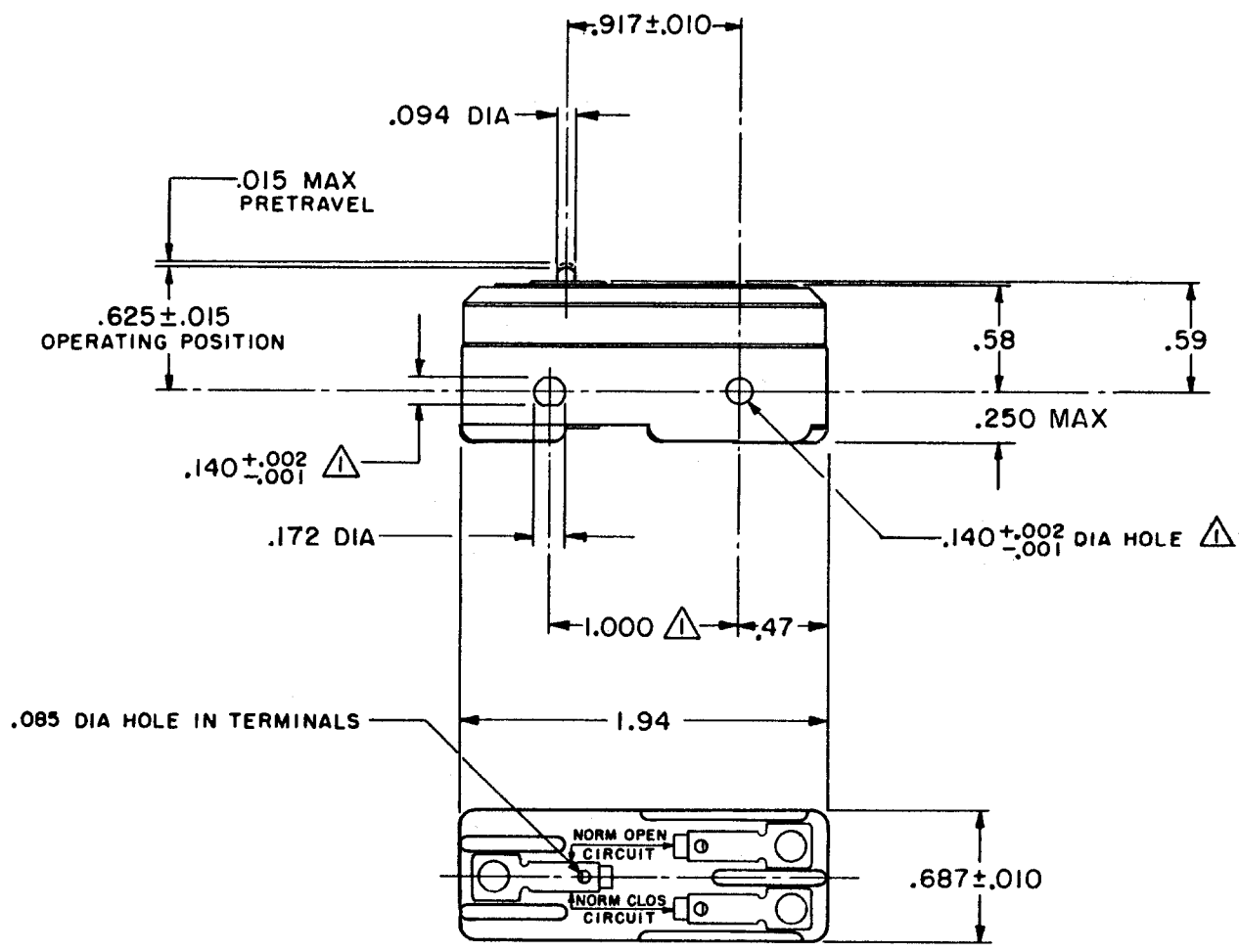


SWITCH - BASIC

CATALOG LISTING
BZ-2R

BZ-2R
 PAGE 1 OF 1
 M
 DRAWING NUMBER
 ISSUE 16
 REVISIONS
 A CO17410
 G C H
 18 MAR 63
 B CO31092
 R C B
 30 SEPT 72
 C CO46304
 J A P
 12 OCT 79
 D 58037
 S W A
 1 OCT 85
 E CO 78874
 D L T
 17 NOV 94
 F CO93346
 D L T
 1 SEP 98
 G CO- 84234
 L J K
 8 MAR 99
 FORMTEK
 FO-80378
 DRAWN
 G C H 18 MAR 63
 CHECK L.S.D.
 26 MAR 63
 CHECK
 RELEASE NO.
 CHECK
 REPLACES



NOTE
 △ MOUNTING HOLES WILL ACCEPT PINS OR SCREWS OF .139 MAX DIA ON 1.000 ± .002 CENTERS

THIS DRAWING COVERS A PROPRIETARY ITEM AND IS THE PROPERTY OF MICRO SWITCH, A DIVISION OF MINNEAPOLIS-HONEYWELL REGULATOR CO. THIS DRAWING IS NOT TO BE COPIED OR USED WITHOUT THE APPROVAL OF MICRO SWITCH.

| CHARACTERISTICS | |
|---------------------|--------------------|
| OPERATING FORCE | ----- 9 - 13 OZ |
| RELEASE FORCE | ----- 4 OZ MIN |
| DIFFERENTIAL TRAVEL | ---- .0004 - .0020 |
| OVERTRAVEL | ----- .005 MIN |

| ELECTRICAL DATA | |
|--|---------|
| CONTACT ARRANGEMENT | S P D T |
| UNDERWRITERS' LAB. INC. LISTED RATING 15A-125, 250 OR 480 VAC, 2A-600 VAC -L74- 1/8HP-125 VAC; 1/4HP-250 VAC 1/2A-125 VDC; 1/4A-250 VDC | |
| -L288- | |
| -L299- | |
| -L306- | |
| 16A 250V ~ T85 5E4 | |

| SCALE FULL | | |
|----------------------------|--------|-------|
| DO NOT SCALE PRINT | | |
| UNLESS OTHERWISE SPECIFIED | | |
| DIMENSIONS ARE IN INCHES | | |
| TOLERANCES ARE: | | |
| ONE PLACE | (.0) | ±.030 |
| TWO PLACE | (.00) | ±.015 |
| THREE PLACE | (.000) | ±.005 |
| ANGLES | | ± |
| WEIGHT .050 LB | | |