

MICRO SWITCH
a Honeywell Division

FED. MFG. CODE 91929

SWITCH - BASIC

CATALOG LISTING
V3L-3339

CQ-X2868

V3L-3339

CATALOG LISTING

REPLACES X91253-V3L

RELEASE NO. PR-19362

M

ISSUE
2

CHECK

REVISIONS

A CQ-76298
JAK
11 NOV 93

CHECK

18 MAR 92

D C S

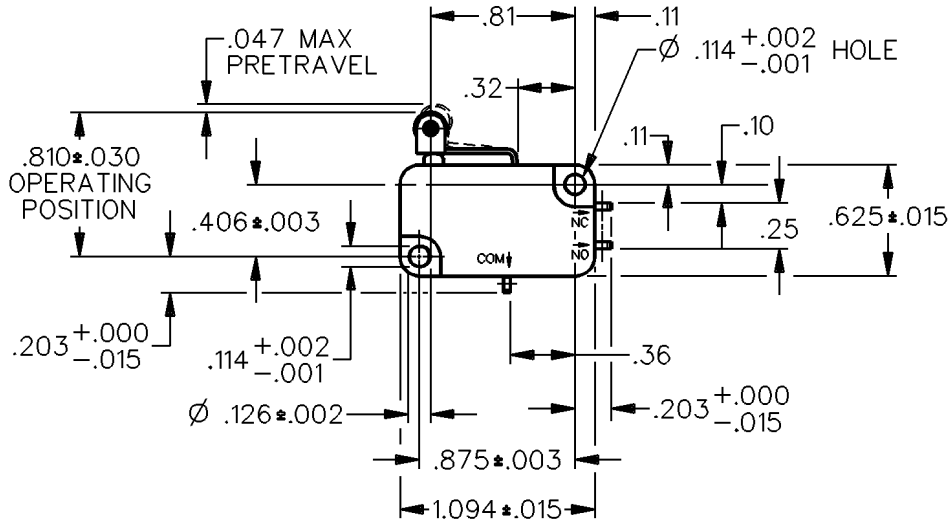
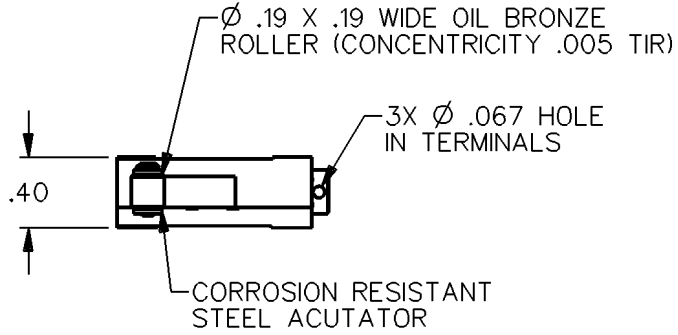
CHECK

9 MAR 92

J A L

DDM/CAD

DRAWN



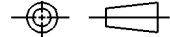
NOTES

- 1 - TERMINALS ARE SILVER PLATED FOR SOLDERING
- 2 - SWITCH MATERIAL WILL WITHSTAND TEMPERATURE OF 300°F
- 3 - HOLE IN TERMINALS MAY BREAK OUT

ANSI Y14.5M-1982 APPLIES

THIS DRAWING COVERS A PROPRIETARY ITEM AND IS THE PROPERTY OF MICRO SWITCH, A DIVISION OF HONEYWELL. THIS DRAWING IS NOT TO BE COPIED OR USED WITHOUT THE APPROVAL OF MICRO SWITCH.

THIRD ANGLE PROJECTION



CHARACTERISTICS	ELECTRICAL DATA	SCALE FULL	DO NOT SCALE PRINT
OPERATING FORCE --- 150 GRAMS MAX	CONTACT ARRANGEMENT S P D T L83 15.1A 1/2HP 125, 250 VAC 1/2A 125 VDC, 1/4A 250 VDC 5A 125 VAC "L"	UNLESS OTHERWISE SPECIFIED TOLERANCES ARE	
RELEASE FORCE --- 15 GRAMS MIN		ONE PLACE (.0) ±.030	
DIFFERENTIAL TRAVEL --- .002-.010		TWO PLACE (.00) ±.015	
OVERTRAVEL --- .040 MIN		THREE PLACE (.000) ±.005	
RELEASE TRAVEL --- .007 MIN		ANGLES ±	
		WEIGHT	

