



# MICRO SWITCH

FREEPORT, ILLINOIS, U.S.A.  
A DIVISION OF HONEYWELL

FED. MFG. CODE 91929

# SWITCH-BASIC

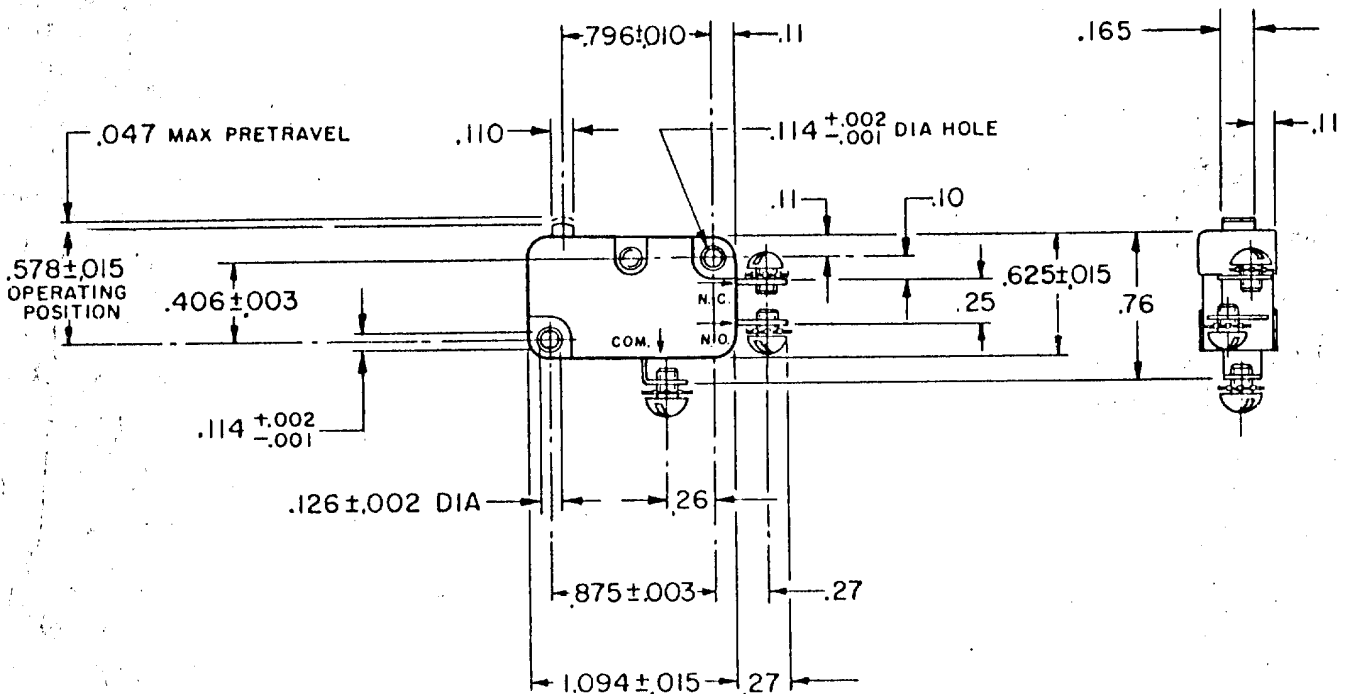
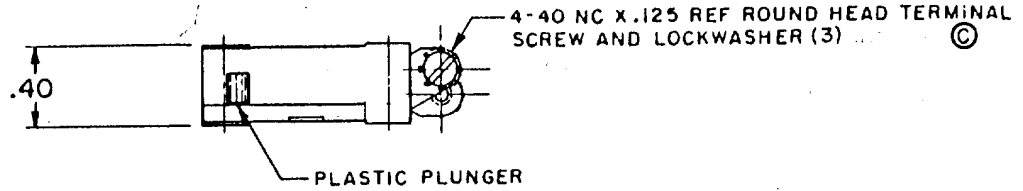


CATALOG LISTING

V 3-1

CK-A0100

5



THIS DRAWING COVERS A PROPRIETARY ITEM AND IS THE PROPERTY OF MICRO SWITCH, A DIVISION OF HONEYWELL. THIS DRAWING IS NOT TO BE COPIED OR USED WITHOUT THE APPROVAL OF MICRO SWITCH.

### CHARACTERISTICS

OPERATING FORCE	6 - 14 OZ
RELEASE FORCE	4 OZ MIN
DIFFERENTIAL TRAVEL	.006 - .016
OVERTRAVEL	.040 MIN
FREE POSITION	.625 MAX
RELEASE TRAVEL	.007 MIN

### ELECTRICAL DATA

CONTACT ARRANGEMENT  
S P D T

L83  
15.1A 1/2HP 125 OR 250 VAC  
1/2A 125 VDC, 1/4A 250 VDC  
5A 125 VAC "L"



SCALE FULL

DO NOT SCALE PRINT

UNLESS OTHERWISE NOTED

DIMENSIONS ARE IN INCHES

TOLERANCES ARE:

ONE PLACE	(.0)	±.030
TWO PLACE	(.00)	±.015
THREE PLACE	(.000)	±.005
ANGLES		±

WEIGHT .017 LB

REPLACES

RELEASE NO.

CHECK PFK 20 MAY 65

CHECK L5D 18 MAY 65

VISIONS

CO 20189

M B F

MAY 65

CO 21688

B F

OCT 66

CO 24941

B S

DEC 68

CO 26075

M B S

AUG 69

CO

31509

D A W

JAN 73

CO

32395

GLH

AUG 73

CO

56987

SMA

OCT 85

CO 74634

K D R

MAY 93

DRAWN

CHECK SCAH 6 MAY 65

FC-50378

V 3-1

M

DRAWING NUMBER

10/18/2023

10/18/2023

10/18/2023

10/18/2023

10/18/2023

10/18/2023

10/18/2023

10/18/2023

10/18/2023

10/18/2023

10/18/2023

10/18/2023

10/18/2023

10/18/2023

10/18/2023

10/18/2023

10/18/2023