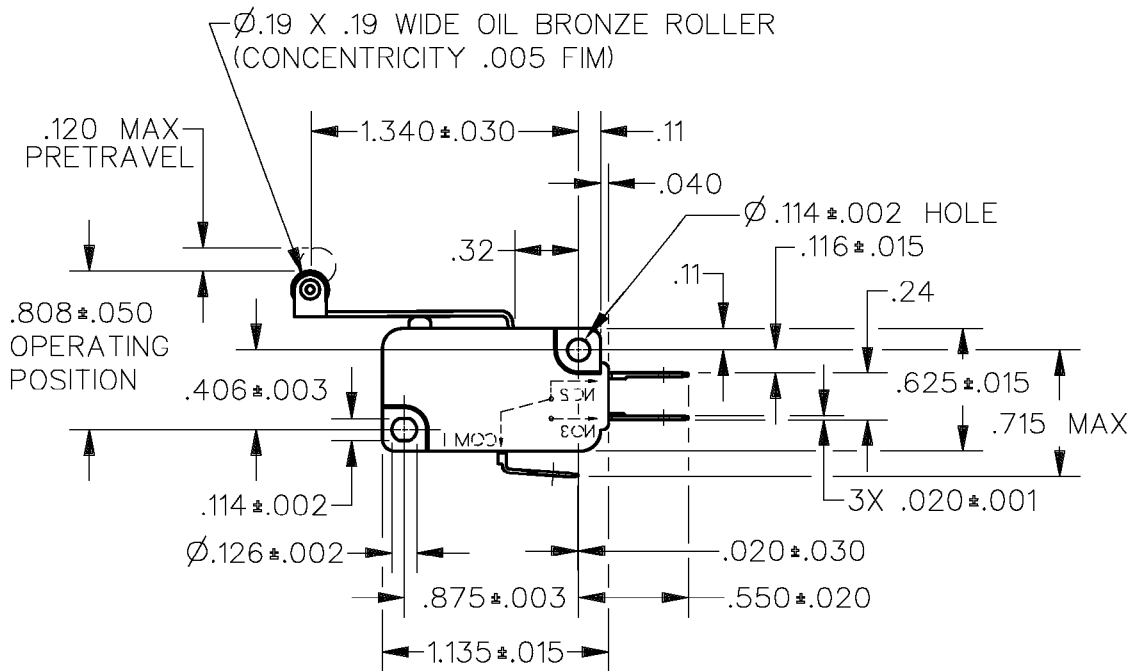
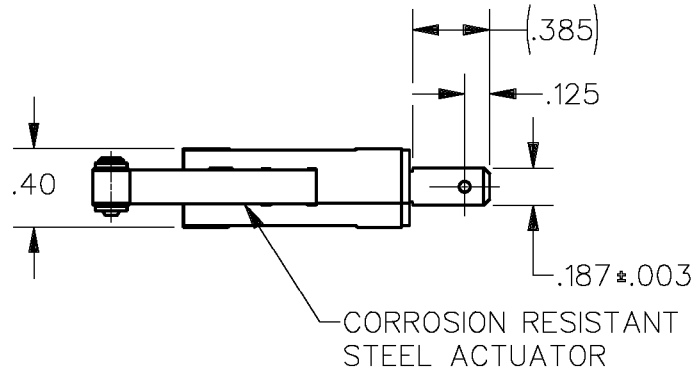


CATALOG LISTING
V7-7D17D8-207
PAGE 1 OF 1
REPLACES
RELEASE NO. PR-21858
CHECK
23DEC09
CMH
04 JUN 04
AK
CHECK
04 JUN 04
CHECK
04 JUN 04
DRAWN
5 APR 95
DCS

ISSUE
5

M

REVISIONS	CHECK	DATE
A REL PR21858		
DCS 3 OCT 95		
B CO-1 93311		
TSM 26 OCT 98		
C 0005782		
RJ 04 JUN 04		
D 0059959		
LK 23DEC09		



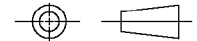
NOTES

- 1 - IN INSPECTION, DO NOT BURN OUT - GOLD CONTACTS
- 2 - IN INSPECTION, DO NOT EXCEED 10 VDC, .1A RESISTIVE LOAD
- 3 - INSPECT SWITCH RESISTANCE PER CONTROL PLAN

ANSI Y14.5M-1982 APPLIES

THIS DRAWING COVERS A PROPRIETARY ITEM AND IS THE PROPERTY OF MICRO SWITCH, A DIVISION OF HONEYWELL. THIS DRAWING IS NOT TO BE COPIED OR USED WITHOUT THE APPROVAL OF MICRO SWITCH.

THIRD ANGLE PROJECTION



CHARACTERISTICS
OPERATING FORCE ——— 5 OZ MAX
DIFFERENTIAL TRAVEL ——— .042 MAX
OVERTRAVEL ——— .050 MIN
RELEASE TRAVEL ——— .011 MIN

ELECTRICAL DATA

CONTACT ARRANGEMENT
S P D T

L22
1A 125 VAC

SCALE FULL	DO NOT SCALE PRINT
UNLESS OTHERWISE SPECIFIED TOLERANCES ARE	
ONE PLACE (.0)	±.030
TWO PLACE (.00)	±.015
THREE PLACE (.000)	±.005
ANGLES	±



WEIGHT