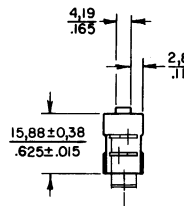
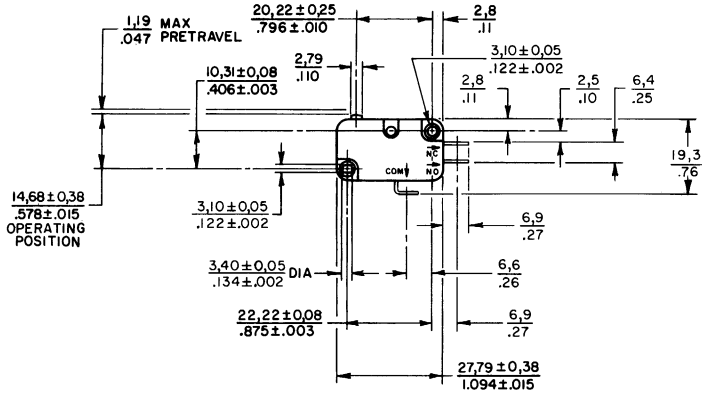
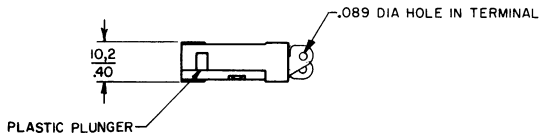


**MICRO SWITCH**  
a Honeywell Division

SWITCH-BASIC

CATALOG LISTING  
**V3-19M**  
CK-A1901

FED. MFG. CODE #1928



- NOTES
- 1 - LINEAR MEASURE  $\frac{mm}{IN}$ , OR mm/IN
  - 2 - mm DIMENSIONS ARE FOR REFERENCE ONLY
  - 3 - TERMINALS ARE PLATED FOR SOLDERING
  - 4 - METRIC MOUNTING HOLES

THIS DRAWING COVERS A PROPRIETARY ITEM AND IS THE PROPERTY OF MICRO SWITCH, A DIVISION OF HONEYWELL. THIS DRAWING IS NOT TO BE COPIED OR USED WITHOUT THE APPROVAL OF MICRO SWITCH.

CHARACTERISTICS	
OPERATING FORCE	170 - 398 GR MAX 6 - 14 OZ
RELEASE FORCE	13.6R MIN 4 OZ
DIFFERENTIAL TRAVEL	0.18 - 0.41 .006 - .016
OVERTRAVEL	1.01 MIN 0.40
RELEASE TRAVEL	0.18 MIN .007
FREE POSITION	-.625 MAX

ELECTRICAL DATA	
CONTACT ARRANGEMENT S P D T	
L83 15.1A 1/2HP 125, 250 VAC 1/2A 125 VDC, 1/4A 250 VDC 5A 125 VAC 1"	

SCALE FULL			
DO NOT SCALE PRINT			
TOLERANCES			
APPLY TO DESIGN UNITS. CONVERSIONS ARE ONLY FOR REFERENCE UNLESS NOTED. TOLERANCES ARE ±			
DIM.	INCH	MILL	FRAC.
NO. PLACES	2	17/100	2 5
2ND PLACES	2	0.0025	2 50/100
3RD PLACES	2	0.0005	2 500/1000
ANGLES	1/4	0.125	2 500/1000
DESIGN UNITS		IN METRIC	
RAW MATERIAL - COMMERCIAL STANDARD		MICRO SWITCH STANDARDS APPLY	
DIMENSIONS ARE TO BE MET BEFORE PROTECTIVE COATINGS ARE APPLIED			
WEIGHT			

CATALOG LISTING  
**V3-19M**  
PAGE 1 OF 1  
RELEASE NO. PR-11069

ISSUE  
**M**  
8

REVISIONS

A	82848	15 JUL 96
---	-------	-----------

FORMTEK

DCS 15 JUL 96