

MICRO SWITCH

FREEPORT ILLINOIS, U.S.A
A DIVISION OF HONEYWELL INC.
FED. MFG. CODE 91929

SWITCH - BASIC

CATALOG LISTING

V3-3059

CK-X3565

V3-3059

M

DRAWING NUMBER

2

ISSUE

REPLACES

RELEASE NO. PR-15040

CHECK

REVISIONS

A C074212
D H D
20 JAN 93

CHECK

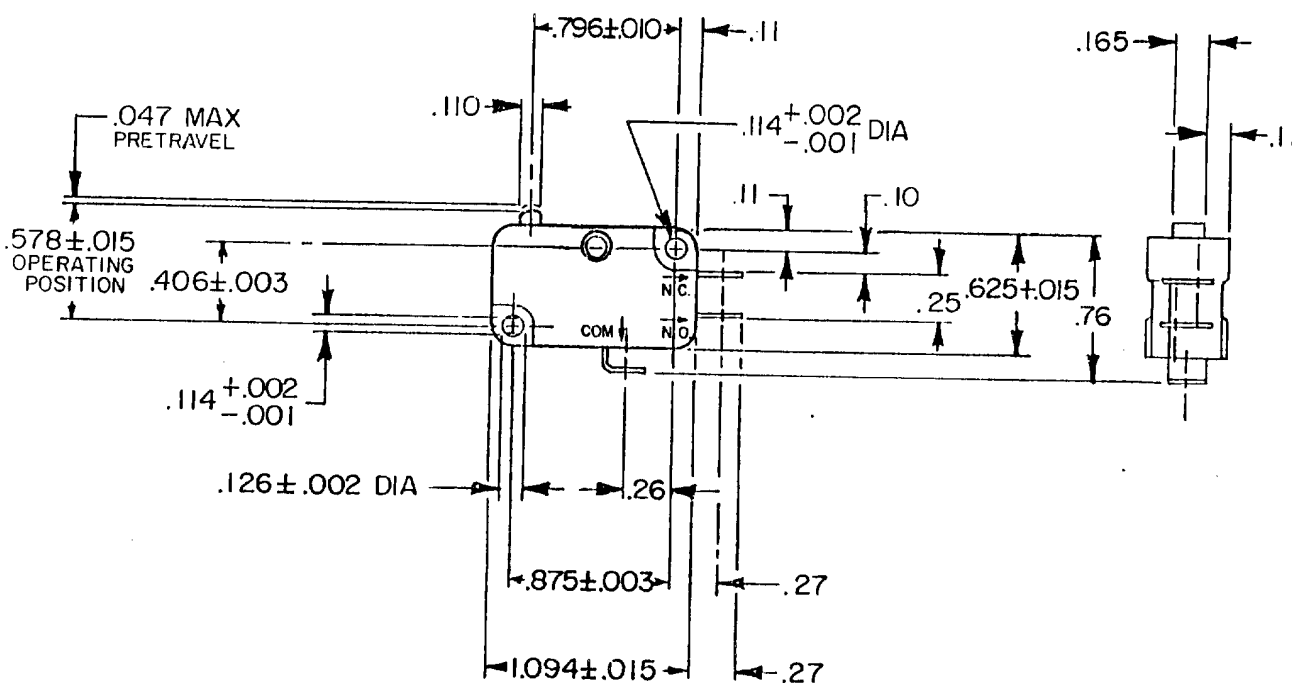
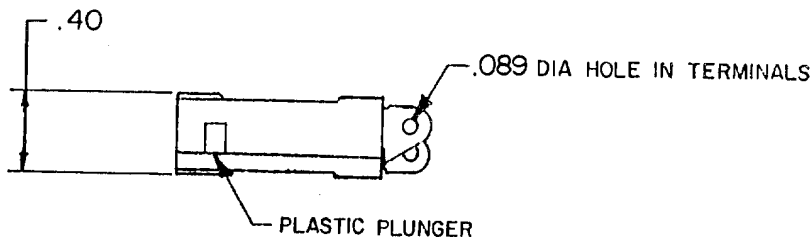
CHECK

CHECK

CHECK

CHECK

CHECK

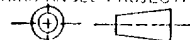


NOTE

1 TERMINALS ARE PLATED FOR SOLDERING

THIS DRAWING COVERS A PROPRIETARY ITEM AND IS THE PROPERTY OF MICRO SWITCH, A DIVISION OF HONEYWELL. THIS DRAWING IS NOT TO BE COPIED OR USED WITHOUT THE APPROVAL OF MICRO SWITCH.

THIRD ANGLE PROJECTION



CHARACTERISTICS

OPERATING FORCE --- 150 GRAM MAX
RELEASE FORCE --- 15 GRAM MIN
DIFFERENTIAL TRAVEL --- .002-.010
OVERTRAVEL --- .050 MIN
FREE POSITION --- .625 MAX
RELEASE TRAVEL --- .010 MIN

ELECTRICAL DATA

CONTACT ARRANGEMENT
S P D T

L83
15.1A 1/2HP 125 OR 250 VAC
1/2A 125 VDC, 1/4A 250 VDC
5A 125 VAC "L"

RS

SCALE FULL

DO NOT SCALE PRINT

UNLESS OTHERWISE SPECIFIED TOLERANCES ARE

ONE PLACE (.0) ± .030
TWO PLACE (.00) ± .015
THREE PLACE (.000) ± .005

ANGLES ±
RAW MATERIAL - COMMERCIAL STANDARD

DIMENSIONS ARE IN INCHES AND ARE TO BE MET BEFORE PROTECTIVE COATINGS ARE APPLIED

MICRO SWITCH STANDARDS APPLY

WEIGHT .016 LB

FO-5284R-B
DRAWN

TAD 18 SEP 86

SEP 86 CHECK X 150