

**MICRO SWITCH**  
a Honeywell Division

FED. MFG. CODE 91929

**SWITCH - BASIC**

CATALOG LISTING

V7-1D10D8

CW-B2061

REPLACES X110332-V7

RELEASE NO. PR-23274

CATALOG LISTING  
V7-1D10D8  
PAGE 1 OF 1

**M**

ISSUE  
**4**

CHECK

04 JUN 04

AK

CHECK

17 DEC 97

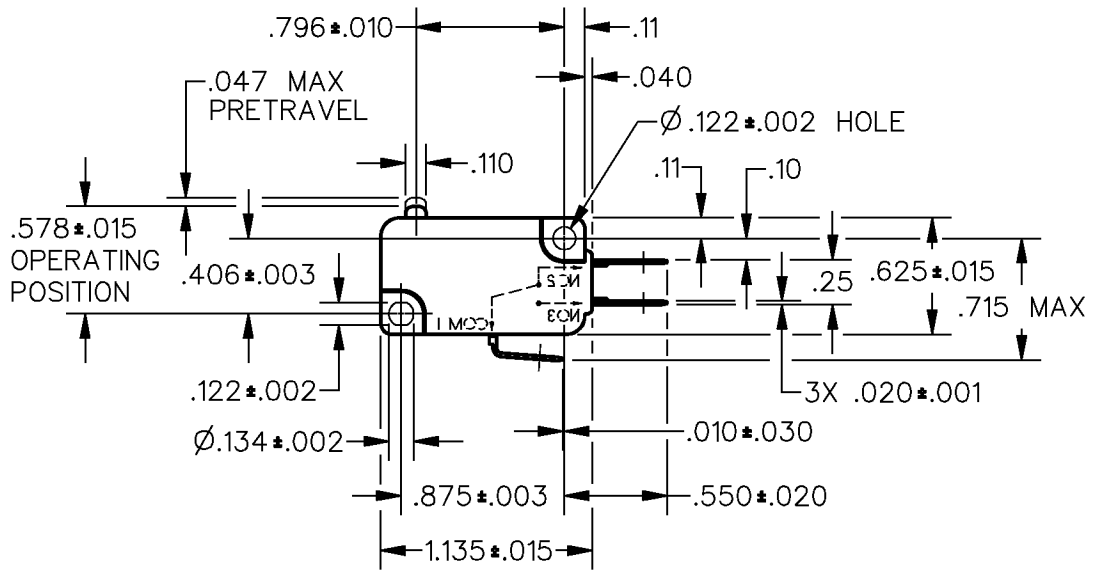
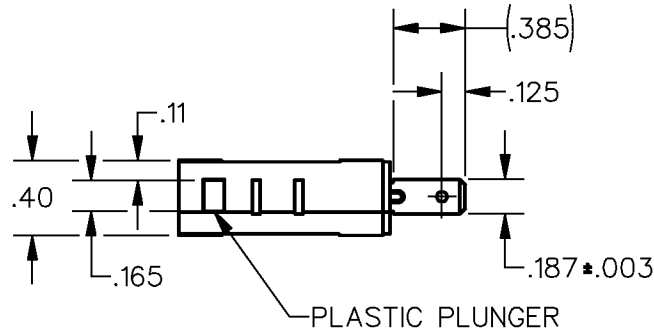
DCS

CHECK

17 DEC 97

DCS

RASTER  
DRAWN



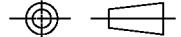
**NOTES**

- 1 - IN INSPECTION, DO NOT BURN OUT - GOLD CONTACTS
- 2 - IN INSPECTION, DO NOT EXCEED 10 VDC, .1A RESISTIVE LOAD
- 3 - INSPECT SWITCH RESISTANCE PER CONTROL PLAN

ANSI Y14.5M-1982 APPLIES

THIS DRAWING COVERS A PROPRIETARY ITEM AND IS THE PROPERTY OF MICRO SWITCH, A DIVISION OF HONEYWELL. THIS DRAWING IS NOT TO BE COPIED OR USED WITHOUT THE APPROVAL OF MICRO SWITCH.

THIRD ANGLE PROJECTION



CHARACTERISTICS	ELECTRICAL DATA	SCALE FULL	DO NOT SCALE PRINT
OPERATING FORCE --- 150 GRAMS MAX	CONTACT ARRANGEMENT S P D T	<b>UNLESS OTHERWISE SPECIFIED TOLERANCES ARE</b>	
RELEASE FORCE --- 25 GRAMS MIN	L22 1A 125 VAC		
DIFFERENTIAL TRAVEL --- .002-.010		ONE PLACE (.0)	± .030
OVERTRAVEL --- .050 MIN		TWO PLACE (.00)	± .015
FREE POSITION --- .625 MAX		THREE PLACE (.000)	± .005
RELEASE TRAVEL --- .010 MIN		ANGLES	±
		WEIGHT	

