



**MICRO SWITCH**  
 FREEPORT, ILLINOIS, U.S.A.  
 A DIVISION OF HONEYWELL  
 FED. MFG. CODE 91929

**SWITCH - BASIC**

CATALOG LISTING

**V3-115**

**CKB 1500**

V3-115

M

DRAWING NUMBER

ISSUE

89

REPLACES

RELEASE NO.

CHECK

REVISIONS

A	CO20189	WEG	28 JUNE 65
B	CO21900	OMW	OCT 66
C	CO31748	S D	3 APR 73
D	59921	SC	29 SEPT 86
E	CO74475	KOP	15 APR 93

CHECK

CHECK

CHECK

CHECK

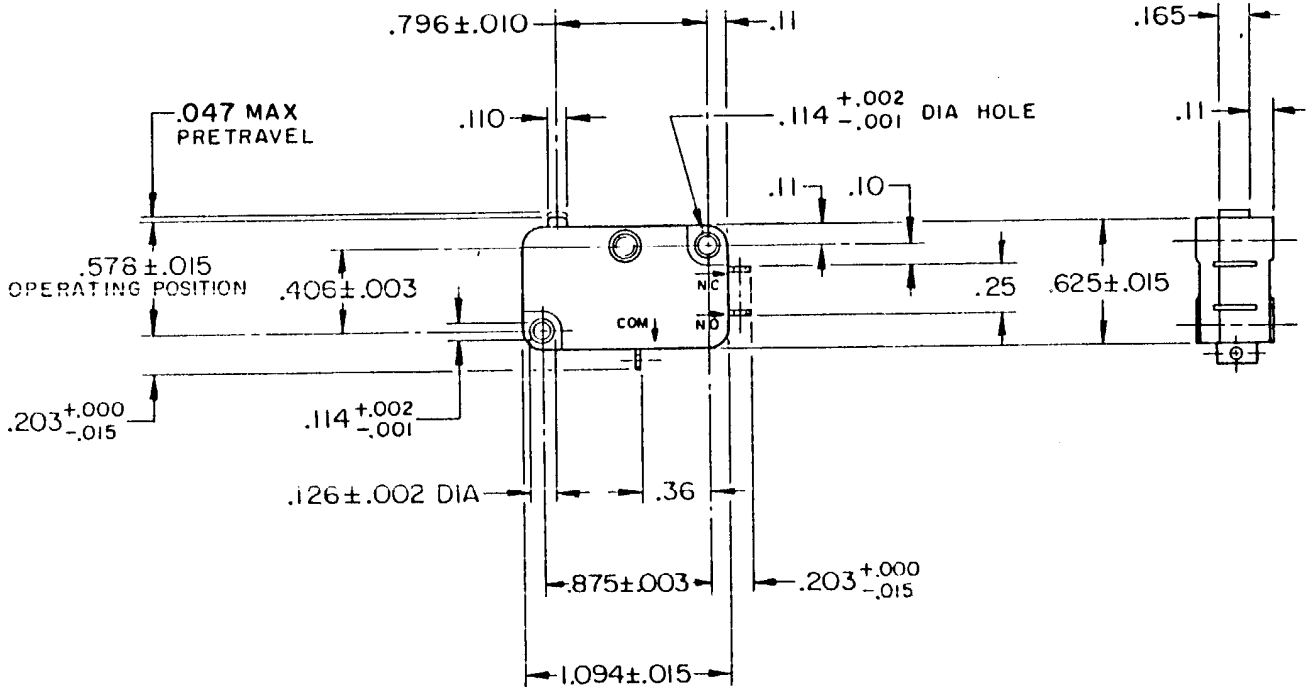
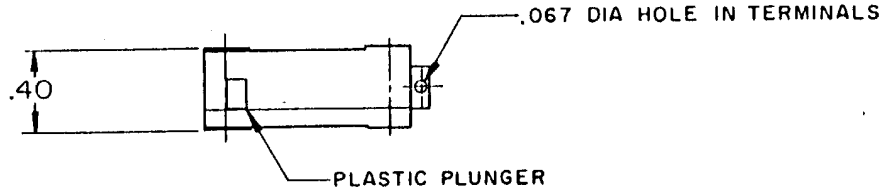
CHECK

CHECK

CHECK

CHECK

CHECK



NOTE -  
 1 - TERMINALS ARE PLATED FOR SOLDERING

THIS DRAWING COVERS A PROPRIETARY ITEM AND IS THE PROPERTY OF MICRO SWITCH, A DIVISION OF HONEYWELL. THIS DRAWING IS NOT TO BE COPIED OR USED WITHOUT THE APPROVAL OF MICRO SWITCH.

**CHARACTERISTICS**

OPERATING FORCE - - - - - 8 OZ MAX  
 RELEASE FORCE - - - - - 2 OZ MIN  
 DIFFERENTIAL TRAVEL - - - - .006 - .016  
 OVERTRAVEL - - - - - .040 MIN  
 FREE POSITION - - - - - .625 MAX  
 RELEASE TRAVEL - - - - - .007 MIN

**ELECTRICAL DATA**

CONTACT ARRANGEMENT  
 S P D T  
 - L156 - 11A-1/3HP-125-250-277 VAC  
 1/2A-125 VDC; 1/4A-250 VDC  
 4A-125 VAC "L"



**SCALE FULL**

DO NOT SCALE PRINT  
 UNLESS OTHERWISE NOTED  
 DIMENSIONS ARE IN INCHES  
**TOLERANCES ARE:**  
 ONE PLACE (.0) ±.030  
 TWO PLACE (.00) ±.015  
 THREE PLACE (.000) ±.005  
 ANGLES ±

WEIGHT .016 LB

30378

DRAWN

WEG 28 JUNE 65

WEG 28 JUNE 65

WEG 28 JUNE 65