



MICRO SWITCH
 FREEPORT, ILLINOIS, U.S.A.
 A DIVISION OF HONEYWELL
 FED. MFG. CODE 91929

SWITCH-BASIC

CATALOG LISTING

V3-15

CK-A1500

V3-15

M

DRAWING NUMBER

1819

ISSUE

16

16

REVISIONS

A CO20189
M B F
11 MAY 65

B CO21688
M B F
3 OCT 66

C CO31509
R E R
22 JAN 73

D CO32595
K S W
24 FEB 76

E CO47241
G J W
MAR 80

F CO56987
S N A
1 OCT 85

G CO74634
K D R
5 MAY 93

REPLACES

RELEASE NO.

20MA/65

CHECK P.F.K.

18MAY65

CHECK K.S.D.

18MAY65

CHECK G.C.H.

14MAY65

11MAY65

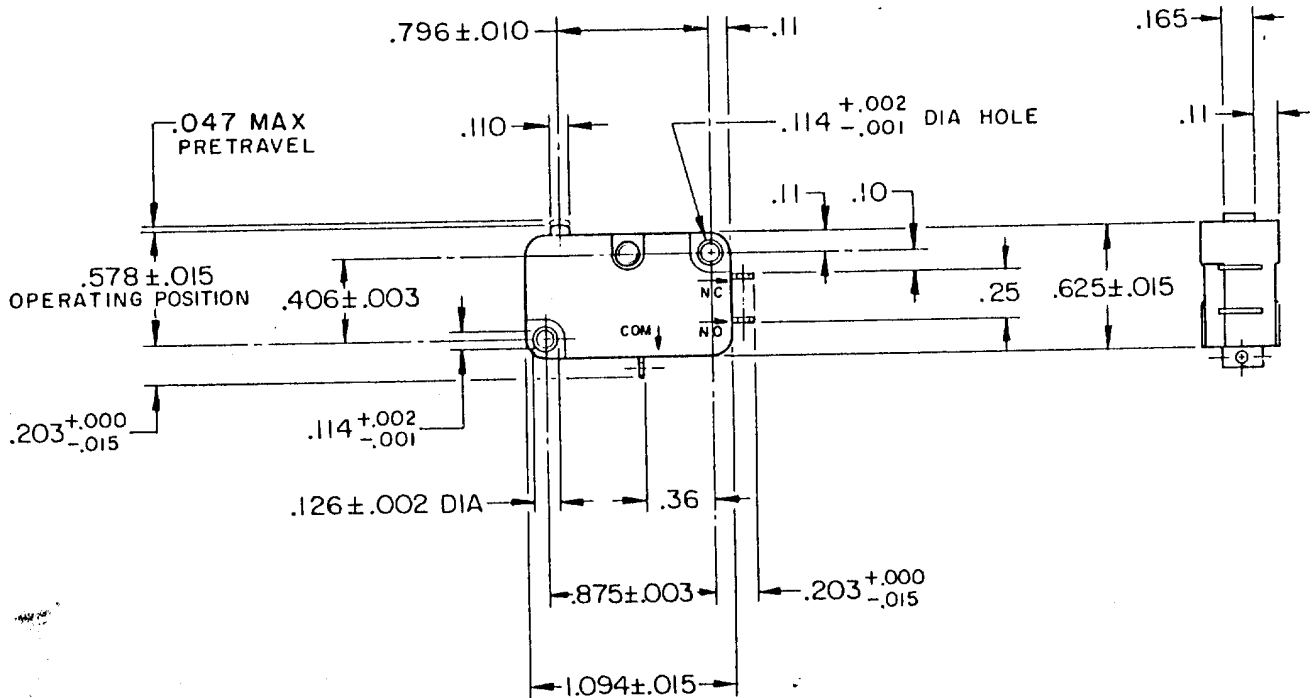
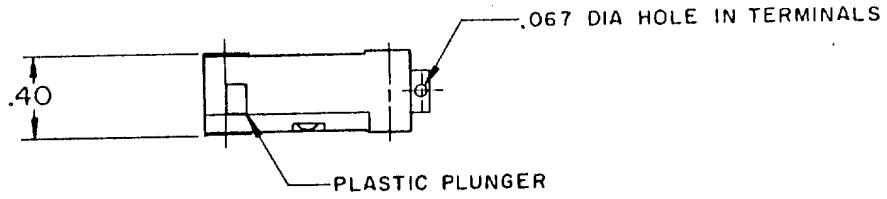
11MAY65

11MAY65

11MAY65

11MAY65

11MAY65



- NOTE -
 1 - TERMINALS ARE PLATED FOR SOLDERING
 2 - PLUNGER MATERIAL WILL WITHSTAND TEMPERATURE OF 300°F

THIS DRAWING COVERS A PROPRIETARY ITEM AND IS THE PROPERTY OF MICRO SWITCH, A DIVISION OF HONEYWELL. THIS DRAWING IS NOT TO BE COPIED OR USED WITHOUT THE APPROVAL OF MICRO SWITCH.

CHARACTERISTICS

OPERATING FORCE — — — — 6 - 14 OZ
 RELEASE FORCE — — — — 4 OZ MIN
 RELEASE TRAVEL — — — — .007 MIN
 DIFFERENTIAL TRAVEL — — — .006 - .016
 OVERTRAVEL — — — — .040 MIN
 FREE POSITION — — — — .625 MAX

ELECTRICAL DATA

CONTACT ARRANGEMENT
 S P D T

L83
 15.1A 1/2HP 125 OR 250 VAC
 1/2A 125 VDC, 1/4A 250 VDC
 5A 125 VAC "L"



SCALE FULL

DO NOT SCALE PRINT

UNLESS OTHERWISE NOTED

DIMENSIONS ARE IN INCHES

TOLERANCES ARE:

ONE PLACE (.0) ±.030
 TWO PLACE (.00) ±.015
 THREE PLACE (.000) ±.005
 ANGLES ±

WEIGHT .015 LB

C-50378

DRAWN

M B F 11 MAY 65