

MICRO SWITCH
a Honeywell Division

FED.MFG.CODE 91929

SWITCH-BASIC

CATALOG LISTING

V7-1S17D8-022

CW-B8645

CATALOG LISTING
V7-1S17D8-022

PAGE 1 OF 1

REPLACES

RELEASE NO. PR-18499

ISSUE

5

CHECK

REVISIONS

A	CO-76416	J A L	30 NOV 93
B	CO-77116	DCS	31 MAR 94
C	CO82776	J A F	5 APR 96
D	CO-93311	TSM	22 OCT 98

CHECK

27 AUG 90

W J C

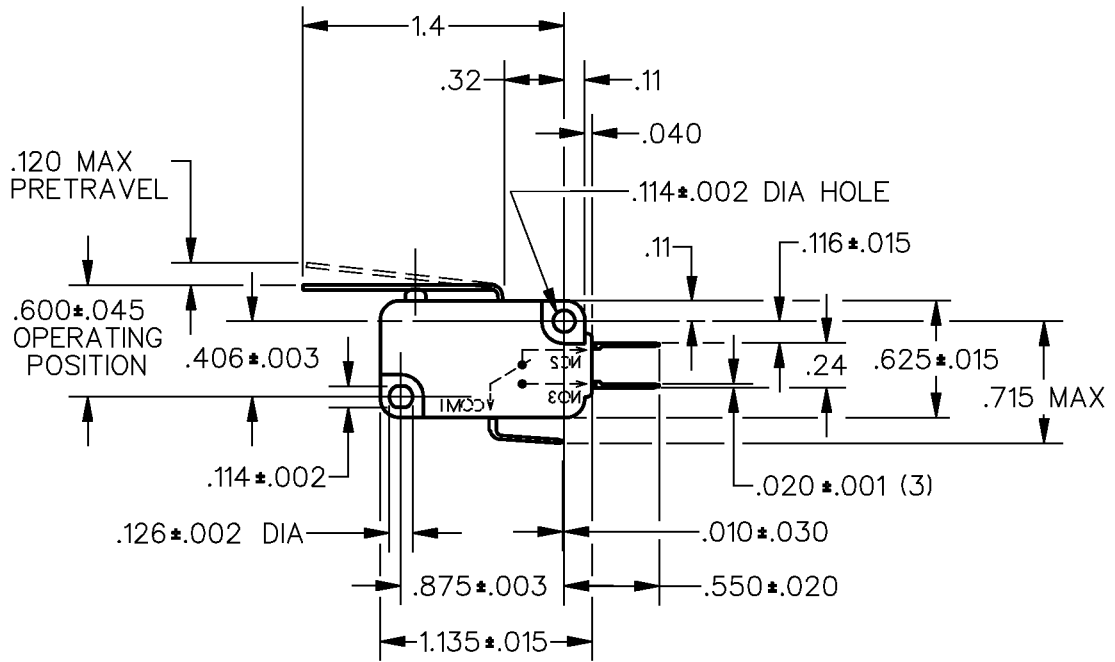
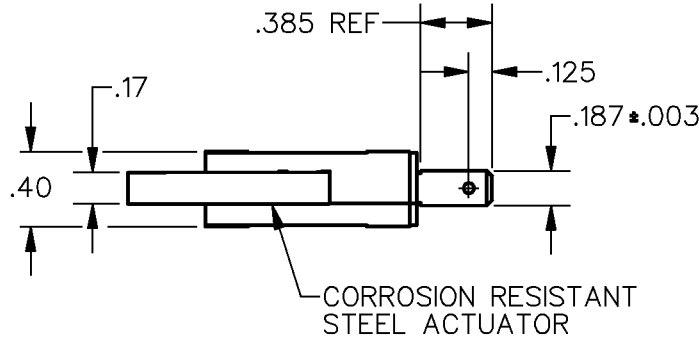
CHECK

13 AUG 90

W L S

FORMTEK

DRAWN

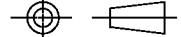


NOTES

- 1 - IN INSPECTION, DO NOT BURN OUT - GOLD CONTACTS
- 2 - IN INSPECTION, DO NOT EXCEED 10 VDC, .1A RESISTIVE LOAD

THIS DRAWING COVERS A PROPRIETARY ITEM AND IS THE PROPERTY OF MICRO SWITCH, A DIVISION OF HONEYWELL. THIS DRAWING IS NOT TO BE COPIED OR USED WITHOUT THE APPROVAL OF MICRO SWITCH.

THIRD ANGLE PROJECTION



CHARACTERISTICS	ELECTRICAL DATA	SCALE FULL	DO NOT SCALE PRINT
OPERATING FORCE-----85 GRAM MAX	CONTACT ARRANGEMENT S P D T	UNLESS OTHERWISE SPECIFIED TOLERANCES ARE	ONE PLACE (.0) ±.030
RELEASE FORCE -----8 GRAM MIN	0.1A 125 VAC L142		TWO PLACE (.00) ±.015
DIFFERENTIAL TRAVEL-----.030 MAX			THREE PLACE (.000) ±.005
OVERTRAVEL-----.085 MIN			ANGLES ±
RELEASE TRAVEL -----.017 MIN			WEIGHT