

**MICRO SWITCH**  
a Honeywell Division

FED. MFG. CODE 91929

SWITCH-BASIC

CATALOG LISTING  
V7-2S17D8-201

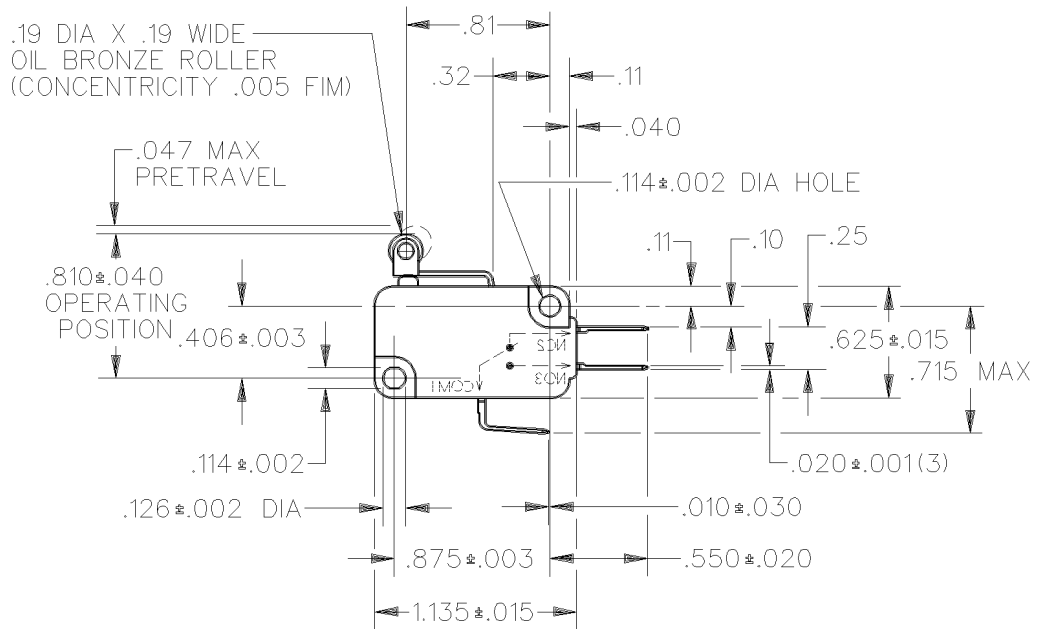
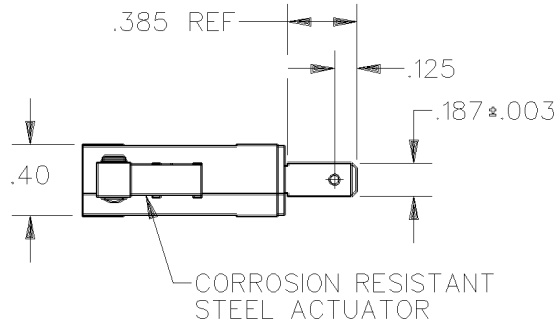
CW-B8670

CATALOG LISTING  
V7-2S17D8-201  
PAGE 1 OF 1

ISSUE  
**M**  
6

REVISIONS	
A	REL PR-18505 WLS 27 AUG 90
B	CO-69607 BAB 13 FEB 91
C	CO-76417 JAL 29 NOV 93
D	CO-77116 DCS 4 APR 94
E	CO-93311 TSM 22 OCT 98

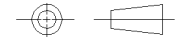
REPLACES  
RELEASE NO. PR-18505  
CHECK  
D A W 29 AUG 90  
CHECK



NOTES  
1 - IN INSPECTION, DO NOT BURN OUT - GOLD CONTACTS  
2 - IN INSPECTION, DO NOT EXCEED 10 VDC, .1A RESISTIVE LOAD

THIS DRAWING COVERS A PROPRIETARY ITEM AND IS THE PROPERTY OF MICRO SWITCH, A DIVISION OF HONEYWELL. THIS DRAWING IS NOT TO BE COPIED OR USED WITHOUT THE APPROVAL OF MICRO SWITCH.

THIRD ANGLE PROJECTION



CHARACTERISTICS	ELECTRICAL DATA	SCALE FULL	DO NOT SCALE PRINT
OPERATING FORCE -----90 GRAM MAX	CONTACT ARRANGEMENT S P D T	UNLESS OTHERWISE SPECIFIED TOLERANCES ARE	ONE PLACE (.0) ±.030
RELEASE FORCE -----7 GRAM MIN	0.1A 125 VAC L142		TWO PLACE (.00) ±.015
DIFFERENTIAL TRAVEL -----.015 MAX			THREE PLACE (.000) ±.005
OVERTRAVEL -----.040 MIN			ANGLES ±
RELEASE TRAVEL -----.007 MIN			WEIGHT



FORMTEK  
DRAWN

W L S 27 AUG 90