

CATALOG LISTING
V7-1B17D8-048
REPLACES
RELEASE NO. PR-18877

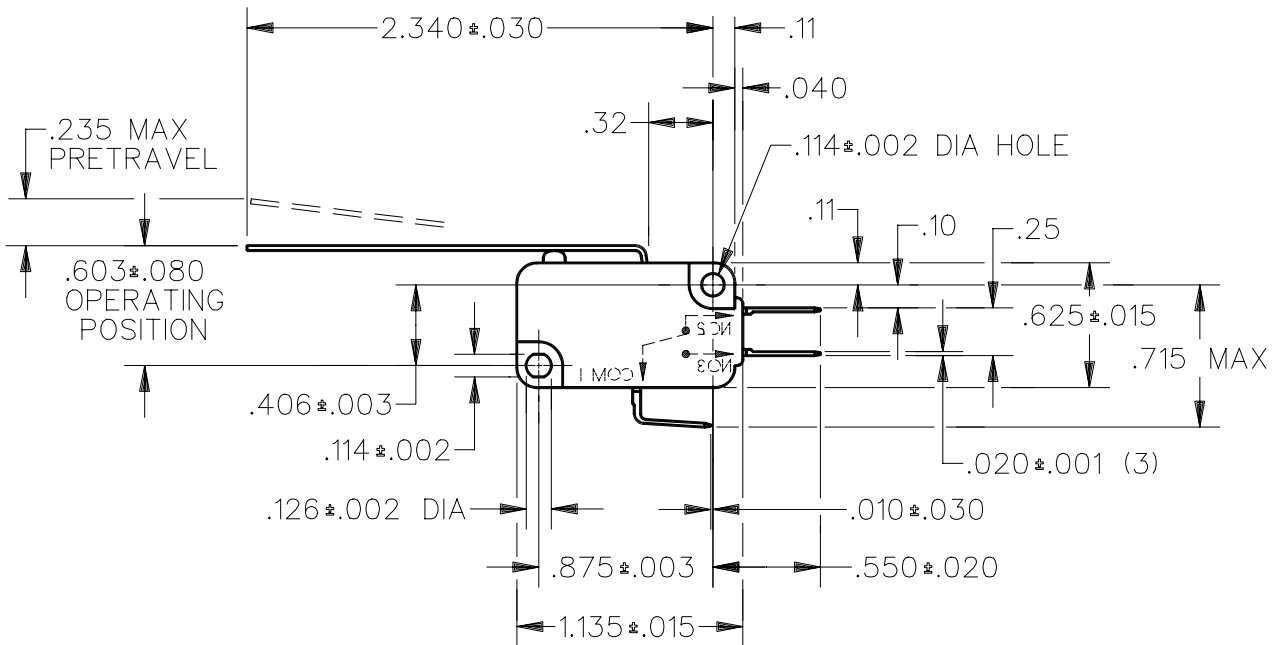
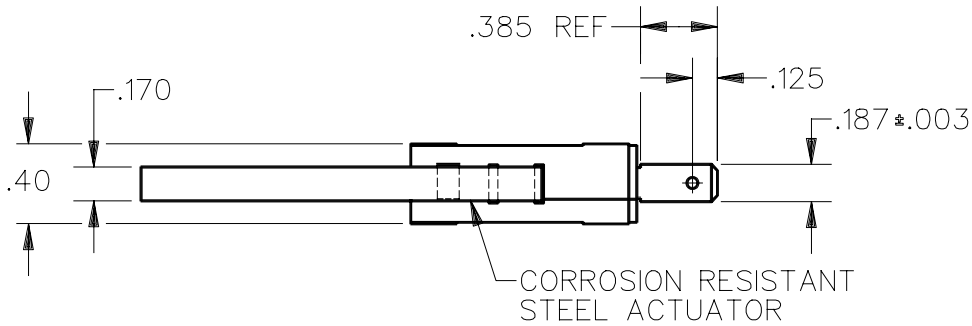
ISSUE
M
4

REVISIONS

A	REL DWG PR18877 WJC 7 DEC 90
B	CO- 70577 BAB 25 JUL 91
C	CO- 76109 JWB 8 NOV 93

CHECK
CHECK
10 DEC 90
JAP
CHECK
7 DEC 90
WJC

DDM/CAD
DRAWN

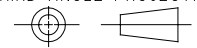


NOTES

1 - CAUTION: OVERTRAVEL FORCE ON LEVER MUST NOT RESULT IN AN OVERTRAVEL FORCE ON PLUNGER EXCEEDING 5 LBS.

THIS DRAWING COVERS A PROPRIETARY ITEM AND IS THE PROPERTY OF MICRO SWITCH, A DIVISION OF HONEYWELL. THIS DRAWING IS NOT TO BE COPIED OR USED WITHOUT THE APPROVAL OF MICRO SWITCH.

THIRD ANGLE PROJECTION



CHARACTERISTICS

OPERATING FORCE --- 50 GRAMS MAX
RELEASE FORCE --- 4 GRAMS MIN
DIFFERENTIAL TRAVEL --- .050 MAX
OVERTRAVEL --- .115 MIN
RELEASE TRAVEL --- .030 MIN

ELECTRICAL DATA

CONTACT ARRANGEMENT
S P D T
L156 11A 1/3HP 125, 250 OR 277 VAC
1/2A 125 VDC, 1/4A 250 VDC
4A 125 VAC "L"



SCALE FULL

DO NOT SCALE PRINT

UNLESS OTHERWISE SPECIFIED TOLERANCES ARE

ONE PLACE (.0)	±.030
TWO PLACE (.00)	±.015
THREE PLACE (.000)	±.005
ANGLES	±

WEIGHT