

Honeywell

FED.MFG.CODE 91929

SWITCH-BASIC

CATALOG LISTING

V7-6C17D8-263**CW-C6023**

CATALOG LISTING
M
V7-6C17D8-263
 PAGE 1 OF 1

REPLACES

RELEASE NO. PR-17243

ISSUE
8

CHECK

11JUL08

ASD

CHECK

5 APR 89

CHECK

5 APR 89

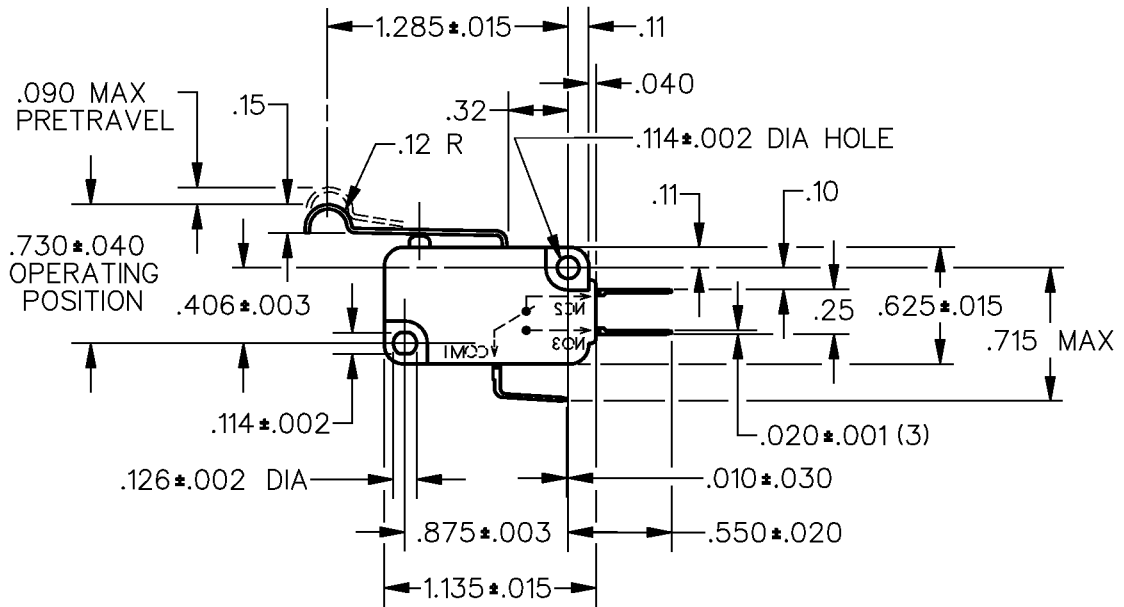
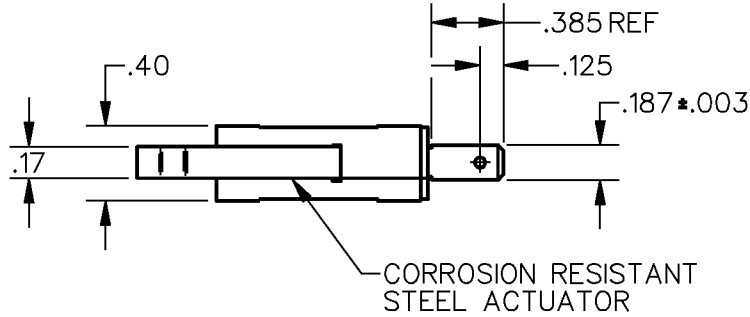
CHECK

5 APR 89

CHECK

5 APR 89

DRAWN

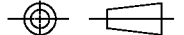


REVISIONS

A	CO 66350	JAP 20 SEP 89
B	CO- 69205	BAB 7 JAN 91
C	CO 70247	JAP 20 JUN 91
D	CO 76418	DCS 9 DEC 93
E	OBS 79950	CSL 15 MAR 95
F	RE-IN PR22394	DCS 6 SEP 96
G	0041190	PK 11JUL08

THIS DRAWING COVERS A PROPRIETARY ITEM AND IS THE PROPERTY OF HONEYWELL.
 THIS DRAWING IS NOT TO BE COPIED OR USED WITHOUT THE APPROVAL OF HONEYWELL.

THIRD ANGLE PROJECTION



CHARACTERISTICS

OPERATING FORCE — — — — 8 OZ MAX
 RELEASE FORCE — — — — 2 OZ MIN
 DIFFERENTIAL TRAVEL — — — .065 MAX
 OVERTRAVEL — — — — .080 MIN
 RELEASE TRAVEL — — — — .015 MIN

ELECTRICAL DATA

CONTACT ARRANGEMENT
 S P D T
 L215
 15.1A 1/2HP 125, 250 OR 277 VAC
 1/2A 125 VDC
 1/4A 250 VDC; 5A 125 VAC "L"

SCALE — DO NOT SCALE PRINT

UNLESS OTHERWISE SPECIFIED TOLERANCES ARE

ONE PLACE (.0)	±.030
TWO PLACE (.00)	±.015
THREE PLACE (.000)	±.005
ANGLES	±



WEIGHT

RASTER

DRAWN

S D F 4 APR 89