

MICRO SWITCH
a Honeywell Division

FED. MFG. CODE 91929

SWITCH-BASIC

CATALOG LISTING

V7-7H15D8-263-1

CW-C6210

REPLACES X88608-V7

RELEASE NO. PR-16571

CATALOG LISTING

V7-7H15D8-263-1

M

ISSUE
7

CHECK

REVISIONS

A	CORR	WJM	20 MAY 88
B	CORR	WJM	10 JUN 88
C	PR-16571	KAG	15 JUL 88
D	C066350	JAP	21 SEP 89
E	CC-169205	CC-	7 JAN 91
F	CC-76215	LJF	11 NOV 93

CHECK

JAP 17 MAY 88

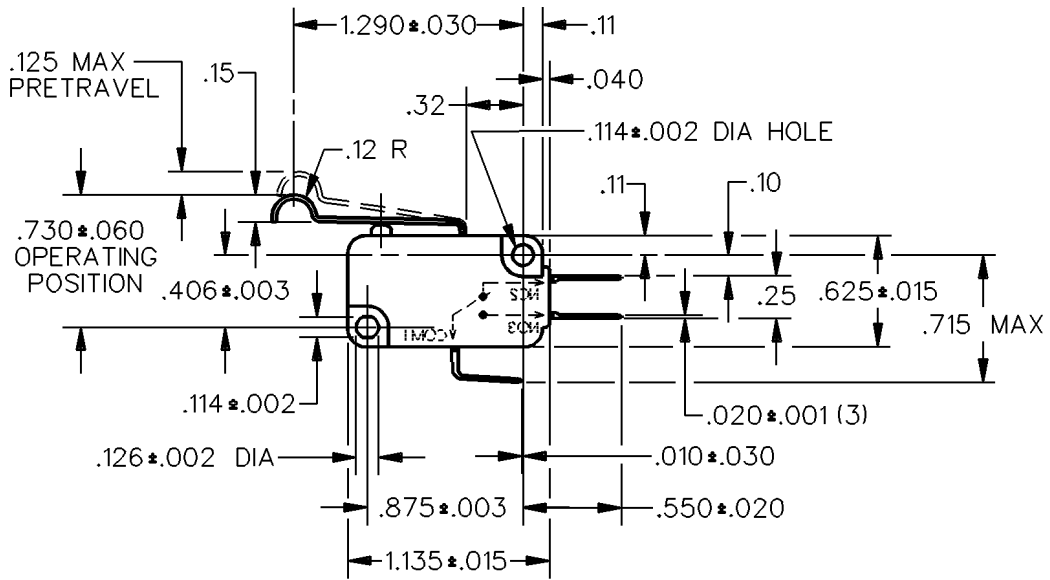
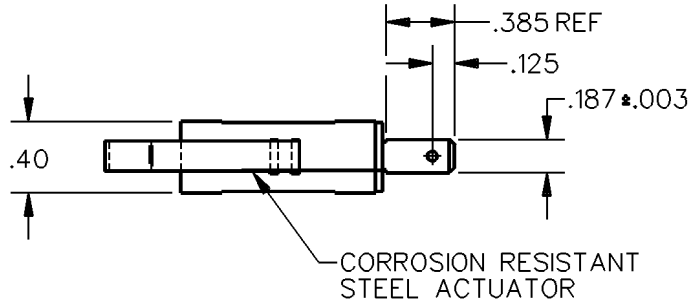
JAP

CHECK

WJM 17 MAY 88

DRAWN

DDM/CAD

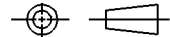


NOTES

- 1 - SERRATED STATIONARY CONTACTS
- 2 - MARK CATALOG LISTING AND DATE CODE ONLY ON SWITCH

THIS DRAWING COVERS A PROPRIETARY ITEM AND IS THE PROPERTY OF MICRO SWITCH, A DIVISION OF HONEYWELL. THIS DRAWING IS NOT TO BE COPIED OR USED WITHOUT THE APPROVAL OF MICRO SWITCH.

THIRD ANGLE PROJECTION



CHARACTERISTICS	ELECTRICAL DATA	SCALE FULL	DO NOT SCALE PRINT
OPERATING FORCE-----4 OZ MAX	CONTACT ARRANGEMENT S P D T	UNLESS OTHERWISE SPECIFIED TOLERANCES ARE	
RELEASE FORCE-----1/2 OZ MIN		ONE PLACE (.0)	±.030
RELEASE TRAVEL-----.015 MIN		TWO PLACE (.00)	±.015
DIFFERENTIAL TRAVEL-----.050 MAX		THREE PLACE (.000)	±.005
OVERTRAVEL-----.080 MIN		ANGLES	±
		WEIGHT	