

**MICRO SWITCH**  
a Honeywell Division

FED. MFG. CODE 91929

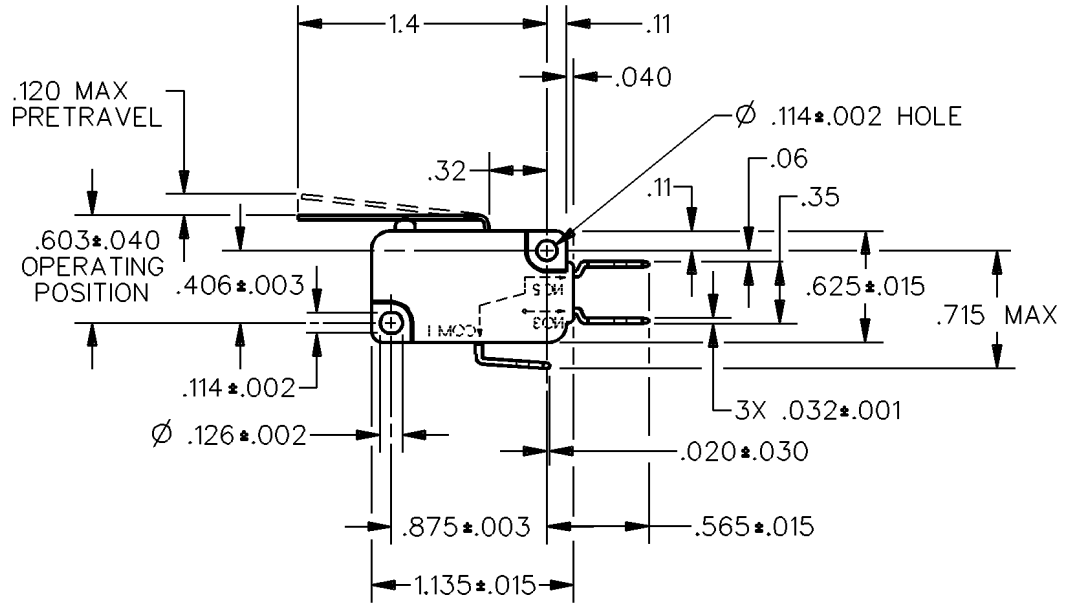
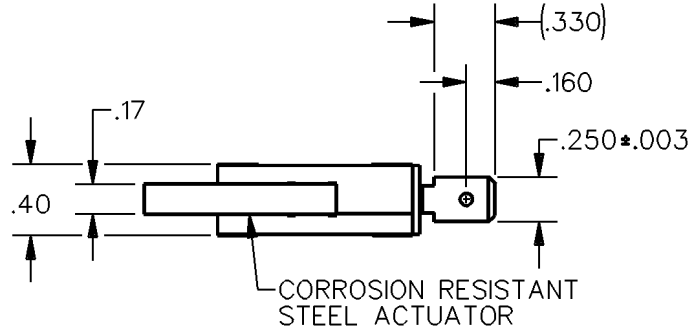
SWITCH-BASIC

CATALOG LISTING

V7-3E17E9-022

CW-B8416

CATALOG LISTING  
V7-3E17E9-022  
REPLACES  
RELEASE NO. PR-19388  
ISSUE  
**M**  
4



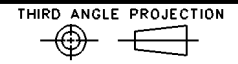
REVISIONS

|   |          |     |           |
|---|----------|-----|-----------|
| A | CO-74476 | DCS | 28 APR 93 |
| B | CO-75471 | JAL | 6 OCT 93  |

DDM/CAD  
DRAWN  
J A L 16 JUL 91  
CHECK  
LAD 16 JUL 91  
CHECK

ANSI Y14.5M-1982 APPLIES

THIS DRAWING COVERS A PROPRIETARY ITEM AND IS THE PROPERTY OF MICRO SWITCH, A DIVISION OF HONEYWELL. THIS DRAWING IS NOT TO BE COPIED OR USED WITHOUT THE APPROVAL OF MICRO SWITCH.



| CHARACTERISTICS                    | ELECTRICAL DATA  | SCALE FULL                                       | DO NOT SCALE PRINT |
|------------------------------------|--|--|--------------------|
| OPERATING FORCE — — — 30 GRAMS MAX | CONTACT ARRANGEMENT<br>S P D T<br><br>L216 10A 1/3HP 125, 250 OR 277 VAC<br>1/2A 125 VDC<br>1/4A 250 VDC; 4A 125 VAC "L" | <b>UNLESS OTHERWISE SPECIFIED TOLERANCES ARE</b> |                    |
| RELEASE FORCE — — — — 1 GRAM MIN   |  | ONE PLACE ( .0 ) ± .030                          |                    |
| DIFFERENTIAL TRAVEL — — — .030 MAX |  | TWO PLACE ( .00 ) ± .015                         |                    |
| OVERTRAVEL — — — — — .065 MIN      |  | THREE PLACE ( .000 ) ± .005                      |                    |
| RELEASE TRAVEL — — — — — .017 MIN  |  | ANGLES ±   |                    |
|                                    |  | WEIGHT   |                    |

