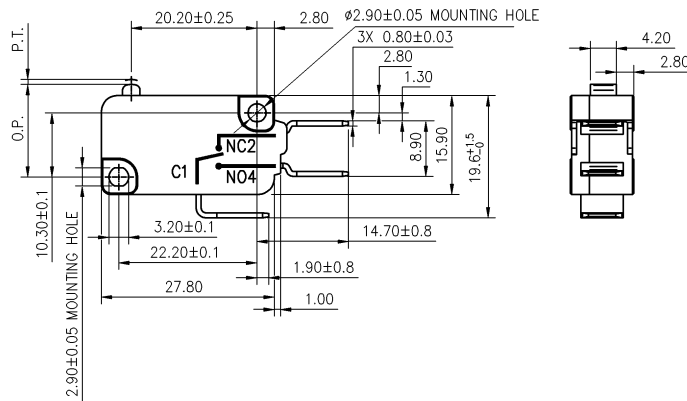
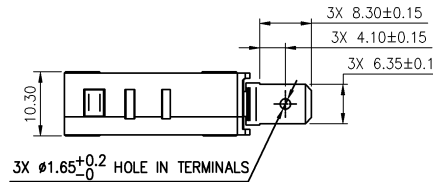




|                          |
|--------------------------|
| FO-50360-L               |
| HONEYWELL<br>PART NUMBER |
| V15T26-CZ300-K           |
| PRODUCT CODE             |
| CFW2054                  |

| REV | DOCUMENT | CHANGED BY | CHECK   |
|-----|----------|------------|---------|
| A   | 0039186  | SSK        | 23APR08 |
|     |          |            | BLR     |



NOTES:  
1. TERMINALS WILL ACCEPT 6.35mm WIDE QUICK CONNECT RECEPTACLES AND COMPLY WITH EN61058-1 REQUIREMENTS.

|   |  |   |  |  |  |  |  |   |  |
|---|--|---|--|--|--|--|--|---|--|
| <b>CHARACTERISTICS</b><br>OPERATING FORCE: 300gf MAX.<br>DIFFERENTIAL FORCE: _____<br>RELEASE FORCE: 75gf MIN.<br>FREE POSITION: _____<br>OPERATING POSITION: 14.7±0.5MM.<br>PRE-TRAVEL: 1.6MM MAX.<br>DIFFERENTIAL TRAVEL: 0.4MM MAX.<br>OVER-TRAVEL: 0.8MM MIN.<br>FULL OVERTRAVEL FORCE: _____ |  | <b>ELECTRICAL DATA</b><br>CONTACT ARRANGEMENT<br>S.P.D.T<br> 26(10)A 250V~<br>0.02A 250V~<br>25T125 µ 25E3 |  | DESIGN UNITS: MM<br>TOLERANCES UNLESS NOTED:<br>NO PLACE X ± ±<br>ONE PLACE .X ± ±<br>TWO PLACE .XX ± ± 0.40<br>THREE PLACE .XXX ± ±<br>ANGLES X ± ± 2°<br>THIRD ANGLE PROJECTION<br> |  | DRAWN KSR 14APR08<br>CHECK RJ 14APR08<br>THIS DRAWING COVERS A PROPRIETARY ITEM AND IS THE PROPERTY OF HONEYWELL. THIS DRAWING IS NOT TO BE COPIED OR USED WITHOUT THE PERMISSION OF HONEYWELL.<br>INTERPRET PER ASME Y14.5M-1994 OTHER HONEYWELL ENGINEERING STANDARDS MAY APPLY<br>AutoCAD |  | <b>Honeywell</b><br>TITLE SWITCH - BASIC<br>SIZE B TYPE I CAGE CODE DRAWING NAME V15T26-CZ300-K REV A<br>SCALE NTS SHEET 1 OF 1 |  |
|---|--|---|--|--|--|--|--|---|--|

4

3

4

2

1