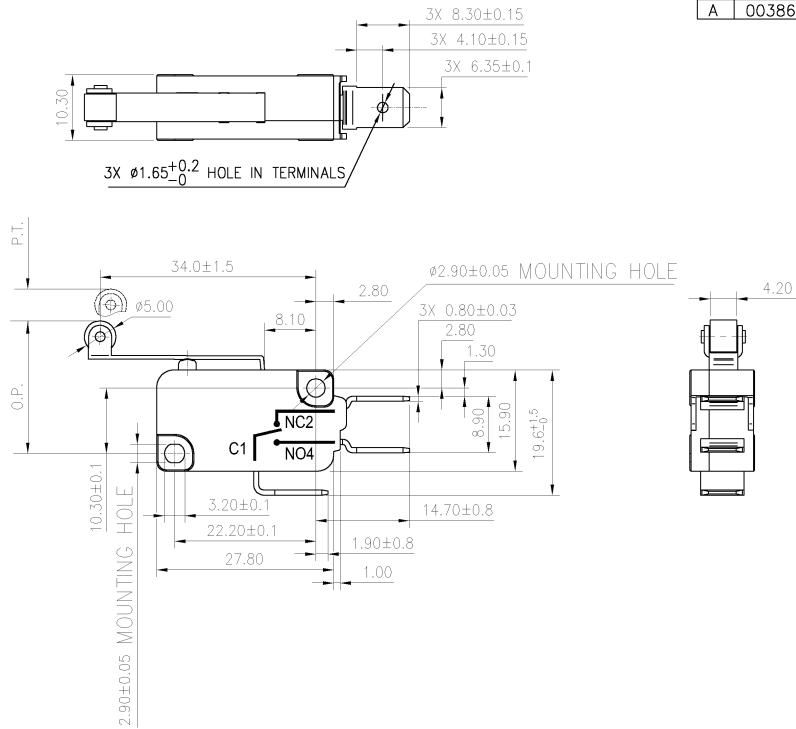


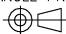


HONEYWELL PART NUMBER
V15T16-CZ100A06-K
PRODUCT CODE
CFW2045

REV	DOCUMENT	CHANGED BY	CHECK
A	0038670	VS 10APR08	BLR



NOTES:
1. TERMINALS WILL ACCEPT 6.35mm WIDE QUICK CONNECT RECEPTACLES AND COMPLY WITH EN61058-1 REQUIREMENTS.

CHARACTERISTICS OPERATING FORCE: 60gf MAX. DIFFERENTIAL FORCE: RELEASE FORCE: 10gf MIN. FREE POSITION: OPERATING POSITION: 20.6±1.6MM. PRE-TRAVEL: 3.2MM MAX. DIFFERENTIAL TRAVEL: 1.2MM MAX. OVER-TRAVEL: 1.3MM MIN. FULL OVERTRAVEL FORCE:	ELECTRICAL DATA CONTACT ARRANGEMENT S.P.D.T  16(4)A 250V~ 25T125 μ 5E4  16A 1/2HP 125/250VAC	DESIGN UNITS: MM TOLERANCES UNLESS NOTED: NO PLACE X ± ± ONE PLACE .X ± ± TWO PLACE .XX ± ± 0.40 THREE PLACE .XXX ± ± ANGLES X ± ± 2° THIRD ANGLE PROJECTION 	DRAWN KSR 01APR08 CHECK RJ 01APR08	Honeywell TITLE SWITCH - BASIC	INTERPRET PER ASME Y14.5M-1994 OTHER HONEYWELL ENGINEERING STANDARDS MAY APPLY	SIZE B TYPE I SCALE NTS	CAGE CODE SHEET 1 OF 1	DRAWING NAME V15T16-CZ100A06-K REV A
			THIS DRAWING COVERS A PROPRIETARY ITEM AND IS THE PROPERTY OF HONEYWELL. THIS DRAWING IS NOT TO BE COPIED OR USED WITHOUT THE PERMISSION OF HONEYWELL.			AutoCAD		