

# KSU Series

## Micro Mini Surface Mount Detect Switches



### Features/Benefits

- **New multi contact construction**
- **Metal actuator**
- **Low actuating force**
- **Gold contacts**
- **Compatible with pick and place machines**
- **RoHS compliant and compatible**

### Typical Applications

- **Mobile phones and other handheld devices**
- **Portable medical devices**
- **Audio devices**
- **Automotive**
- **Alarm devices**
- **Payment terminals**

### Specifications

FUNCTION: Momentary action.  
 CONTACT TYPE: SPST Normally open.  
 TERMINALS: Gullwing type for SMT.

### Mechanical

ACTUATING FORCE:

W version: 1,1 N ±0,8 N

ST version: 0,7 N ±0,5 N

TRAVEL TO MAKE:

W version: 0,65 mm - 0,45/+0,25 mm

ST version: 0,45 mm - 0,25/+0,1 mm

MAXIMUM FORCE AT MAXIMUM TRAVEL: 1,8 N

OPERATING LIFE: 100,000 cycles

### Packaging

Switches are delivered on continuous tape, in reels of 1,000 pieces

### Electrical

MAXIMUM POWER: 0.2 VA  
 MAXIMUM VOLTAGE: 32 VDC  
 MINIMUM VOLTAGE: 20 mV  
 MAXIMUM CURRENT: 0.01 A  
 MINIMUM CURRENT: 0.01 mA  
 CONTACT RESISTANCE: ≤ 100 mΩ  
 INSULATION RESISTANCE: (100 VDC) 10<sup>9</sup> Ω  
 DIELECTRIC STRENGTH: ≥ 250 Vrms  
 BOUNCE TIME: ≤ 3 ms

### Environmental

OPERATING TEMPERATURE: -40°C to +125°C  
 STORAGE TEMPERATURE: -55°C to +125°C

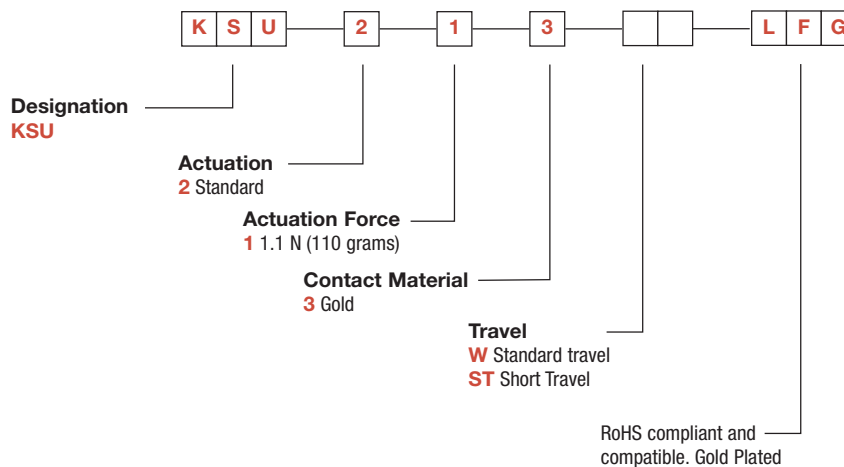
### Process

SOLDERING: Compatible with lead free reflow process

**NOTE:** Specifications listed above are for switches with standard options.  
 For information on specific and custom switches, consult Customer Service Center.

### Build-A-Switch

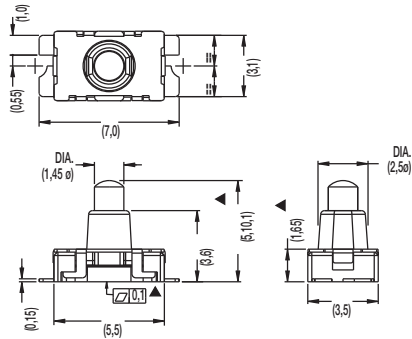
To order, simply select desired option from each category and place in the appropriate box. Available options are shown and described on page E-20. For additional options not shown in catalog, consult our Customer Service Center.



First Angle Projection  
 Dimensions are shown: mm  
 Specifications and dimensions subject to change

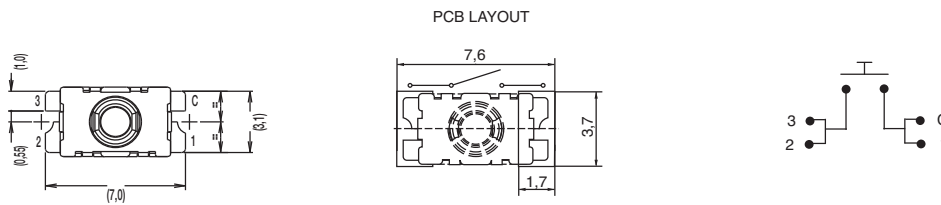
# KSU Series Micro Mini Surface Mount Detect Switches

## KSU

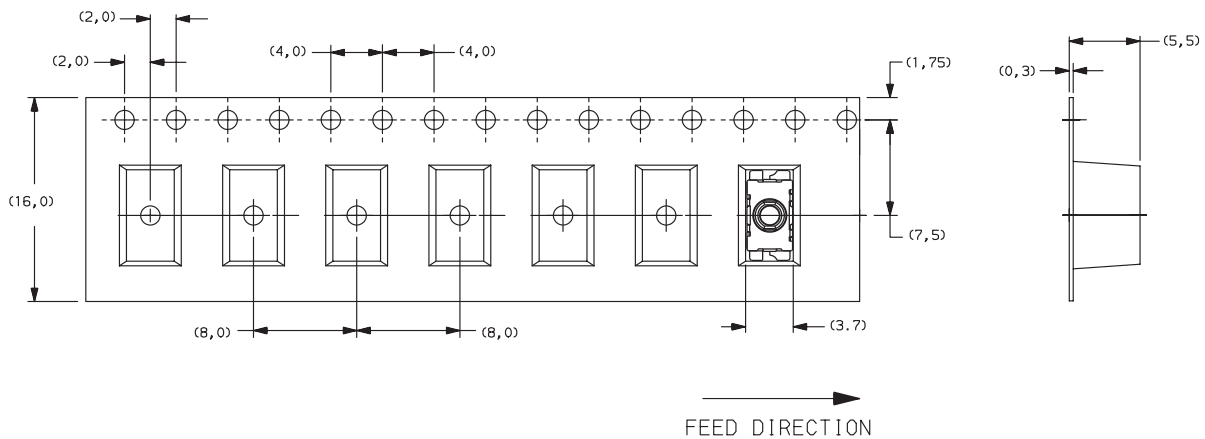


KSU213W  
SPST

## W GULLWING



## TAPE & REEL



m

Detect



First Angle  
Projection

Dimensions are shown: mm  
Specifications and dimensions subject to change

