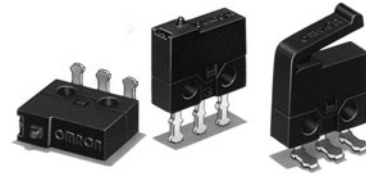


Snap-action Switch with Ultra Subminiature Size (6.5×8.2×2.7 mm (H×W×D)) and Light Weight (0.3 g)

- Excellent electrical characteristics and a snap-action mechanism in spite of its ultra small size.
- Ideal for applications where size is extremely limited and high reliability is demanded.



RoHS Compliant

Ordering Information

Model Number Legend

D2MQ-1□□□
1 2 3

1. Actuator

- None: Pin plunger
- L: Leaf lever

2. Ratings

- None: 0.5 A at 30 VDC
- 105: 50 mA at 30 VDC

3. Terminals

- None: PCB terminals / Straight terminals
- TL: Left-angled PCB terminals
- TR: Right-angled PCB terminals

D2MQ-4L□-1□
1 2 3

1. Actuator

- 4L: Hinge leaf lever

2. Ratings

- None: 0.5 A at 30 VDC
- 105: 50 mA at 30 VDC

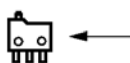
3. Terminals

- None: PCB terminals / Straight terminals
- L: Left-angled PCB terminals
- R: Right-angled PCB terminals

List of Models

Rating	0.5 A			50 mA		
	Straight terminals	Left-angled terminals	Right-angled terminals	Straight terminals	Left-angled terminals	Right-angled terminals
Actuator						
Pin plunger	D2MQ-1	D2MQ-1-TL	D2MQ-1-TR	D2MQ-1-105	---	---
Leaf lever	D2MQ-1L	D2MQ-1L-TL	D2MQ-1L-TR	D2MQ-1L-105	---	---
Hinge leaf lever	D2MQ-4L-1	D2MQ-4L-1-L	D2MQ-4L-1-R	D2MQ-4L-105-1	D2MQ-4L-105-1-L	D2MQ-4L-105-1-R

Note: The terminal shape drawings indicate the shape when the Switch is viewed from the direction of the arrow in the drawing below.



Specifications

■ Ratings

Rated voltage	Type Item	0.5 A	50 mA
		Resistive load	
30 VDC		0.5 A	50 mA

Note: The ratings values apply under the following test conditions:

Ambient temperature: 20±2°C

Ambient humidity: 65±5%

Operating frequency: 30 operations/min

■ Characteristics

Operating speed (see note 2)	0.1 mm to 0.5 m/s
Operating frequency	Mechanical: 60 operations/min max. Electrical: 30 operations/min max.
Insulation resistance	100 MΩ min. (at 250 VDC)
Contact resistance (initial value)	100 mΩ max.
Dielectric strength	500 VAC, 50/60 Hz for 1 min between terminals at the same polarity 500 VAC, 50/60 Hz for 1 min between current-carrying metal parts and ground
Vibration resistance (see note 3)	Malfunction: 10 to 55 Hz, 1.5-mm double amplitude (see note 2)
Shock resistance (see note 3)	Destruction: 1,000 m/s ² (approx. 100G) max. Malfunction: 300 m/s ² (approx. 30G) max.
Durability (see note 4)	Mechanical: 30,000 operations min. (60 operations/min) Electrical: 10,000 operations min. (30 operations/min)
Degree of protection	IEC IP40
Degree of protection against electric shock	Class I
Proof tracking index (PTI)	175
Ambient operating temperature	-15°C to 70°C (at ambient humidity of 60% max.) (with no icing or condensation)
Ambient operating humidity	35% to 85% (for 5°C to 35°C)
Weight	Approx. 0.3 g

Note: 1. The data given above are initial values.

2. The values are for the pin plunger models. (For different models, consult your OMRON sales representative.)

3. Malfunction: 1 ms max.

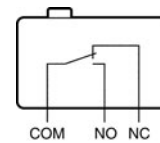
4. For testing conditions, consult your OMRON sales representative.

■ Contact Specifications

Rating		0.5 A	50 mA
Contact	Specification	Rivet	
	Material	Silver plated	Gold plated
	Gap (standard value)	0.15 mm	
Minimum applicable load		50 mA at 5 VDC	5 mA at 5 VDC

■ Contact Form

SPDT

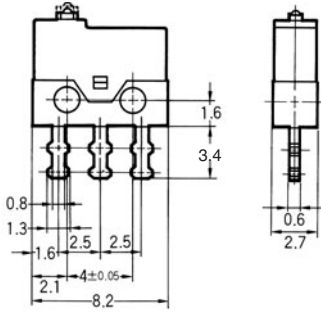


Dimensions

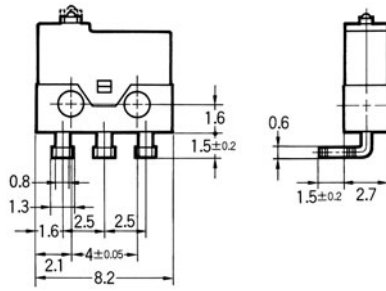
Note: All units are in millimeters unless otherwise indicated.

■ Terminals

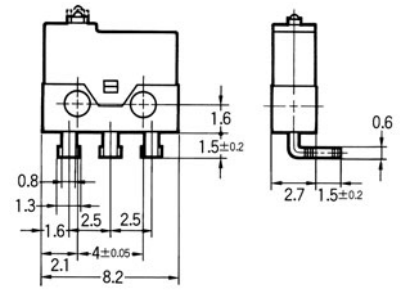
Straight Terminals



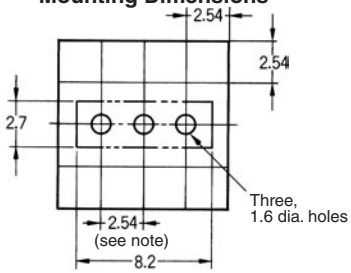
Left-angled Terminals



Right-angled Terminals



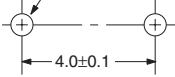
Mounting Dimensions



Note: Terminal gap: 1 pitch

■ Mounting Holes

Two, 1.6-dia. mounting holes or M1.4 screw holes

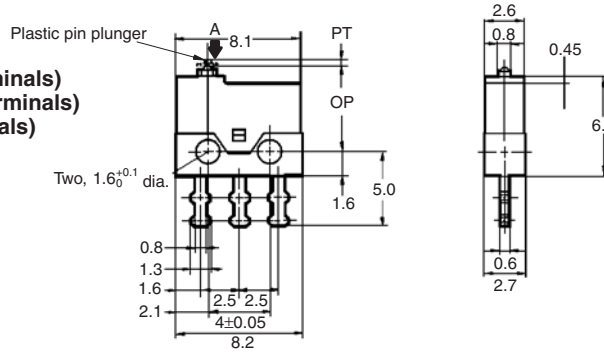
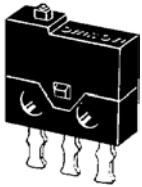


■ Dimensions and Operating Characteristics

- Note:**
1. All units are in millimeters unless otherwise indicated.
 2. Unless otherwise specified, a tolerance of 0.15 mm applies to all dimensions.
 3. The following illustrations are for the straight terminal models. Those for the left-angled terminals and right-angled terminals are different from straight terminal models in terminal size only. Refer to *Terminals* on page 3 for these terminals.
 4. The operating characteristics are for operation in the A direction (↓).

Pin Plunger Models

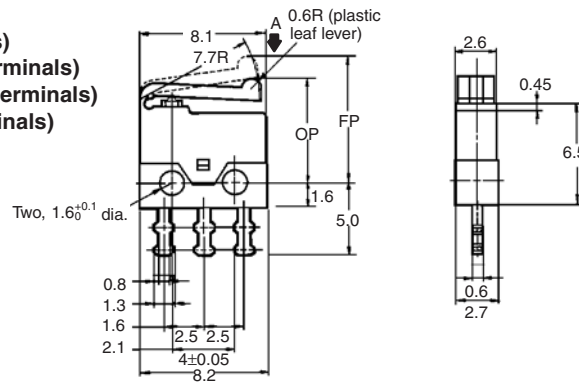
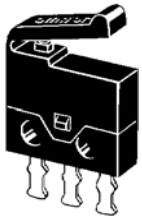
- D2MQ-1 (Straight terminals)
- D2MQ-1-TL (Left-angled terminals)
- D2MQ-1-TR (Right-angled terminals)
- D2MQ-1-105 (Straight terminals)



OF max.	1.18 N {120 gf}
RF min.	0.19 N {20 gf}
PT max.	0.4 mm
OT min.	0.1 mm
MD max.	0.1 mm
OP	5.7±0.2 mm

Leaf Lever Models

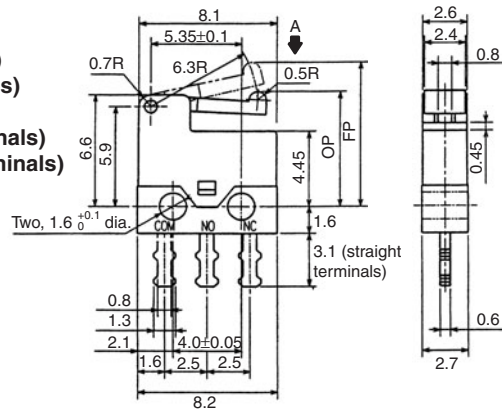
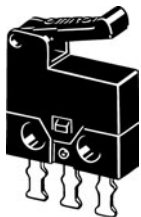
- D2MQ-1L (Straight terminals)
- D2MQ-1L-TL (Left-angled terminals)
- D2MQ-1L-TR (Right-angled terminals)
- D2MQ-1L-105 (Straight terminals)



OF max.	0.59 N {60 gf}
RF min.	0.08 N {8 gf}
PT max.	2.4 mm
OT min.	0.3 mm
MD max.	0.7 mm
FP max.	9.6 mm
OP	6.7±0.5 mm

Hinge Leaf Lever Models

- D2MQ-4L-1 (Straight terminals)
- D2MQ-4L-1-L (Left-angled terminals)
- D2MQ-4L-1-R (Right-angled terminals)
- D2MQ-4L-105-1 (Straight terminals)
- D2MQ-4L-105-1-L (Left-angled terminals)
- D2MQ-4L-105-1-R (Right-angled terminals)



OF max.	0.39 N {40 gf}
RF min.	0.04 N {4 gf}
PT max.	2.1 mm
OT min.	0.3 mm
MD max.	0.7 mm
FP max.	8.7 mm
OP	7.1±0.5 mm

Precautions

Refer to *General Information*.

■ Cautions

Terminal Connections

Make sure that the capacity of the soldering iron is 15 W maximum (temperature of soldering iron: 300°C max.). Do not take more than 3 seconds to solder the switch terminal.

If soldering is not carried out under the proper conditions there is a danger of over-heating and subsequent heat damage

Applying a soldering iron for more than 3 seconds or using one that is rated at more than 15 W may deteriorate the Switch characteristics.

When soldering the lead wire to the PCB terminal, pay careful attention so that the flux and solder liquid level does not exceed the PCB level.

■ Correct Use

Mounting

Use M1.4 mounting screws with screws to securely mount the Switch. Tighten the screws to a torque of 0.1 N·m {1 kgf·cm}.

Operation

Do not apply a force more than two times the rated operating force to the actuator and leaf lever.

Provide an amount of OT that equals or exceeds the standard.

Do not change the operating position by modifying the actuator.

Do not use the Switch in an application where the operating speed is extremely slow or the actuator is set in the midpoint between the free position and operating position.

Install the pin plunger switch so that the operating force is applied in alignment with the stroke of the actuator.

Do not apply a shock to the actuator, otherwise, the Switch may be damaged.

Do not apply excessive force to the actuator of the Leaf Lever Switch in the operating, releasing, and horizontal directions.

Separator

When mounting the Switch on a metallic surface, be sure to provide a Separator between the Switch and mounting plate.

ALL DIMENSIONS SHOWN ARE IN MILLIMETERS.

To convert millimeters into inches, multiply by 0.03937. To convert grams into ounces, multiply by 0.03527.