

1VL Detector Switches

Type: **ESE13**



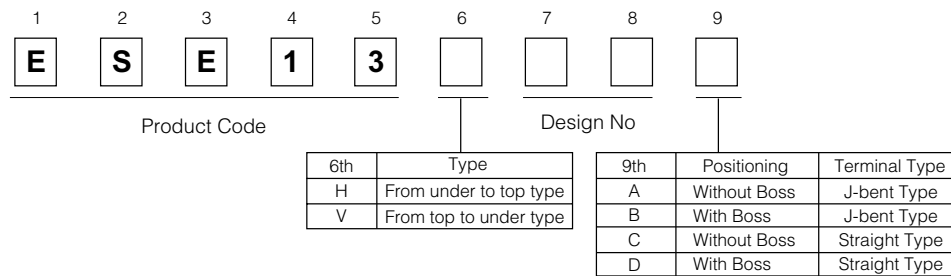
■ Features

- Thin type : Height=1.2 mm
- Highly reliable contact
- SMD type (Embossed taping, Reflow soldering)

■ Recommended Applications

- Detection of media in portable electronic equipment
(Mobile phones / Digital still cameras / Camcorders)

■ Explanation of Part Numbers



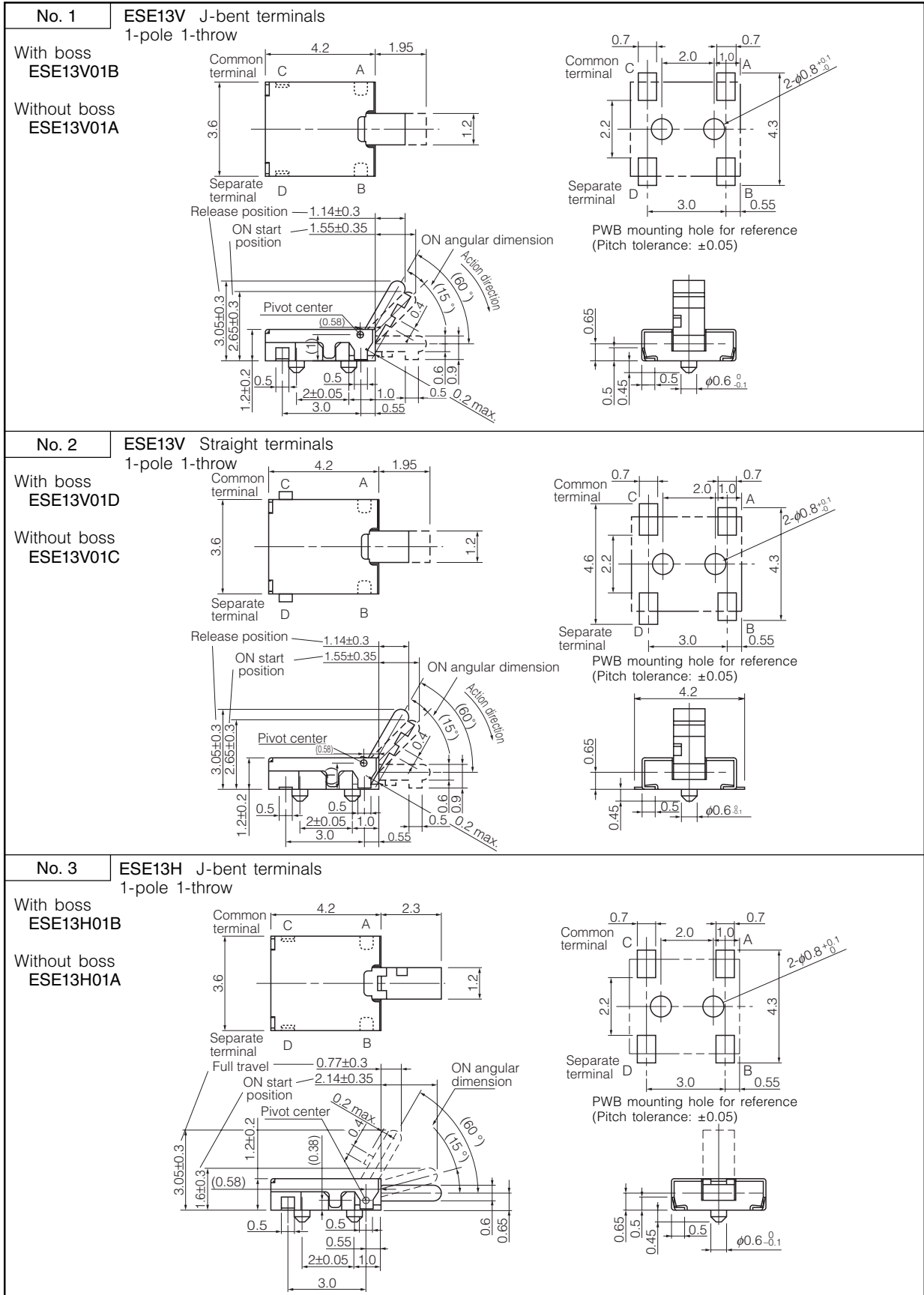
■ Specifications

| | | |
|---------------------------------|--|---------------------------------------|
| Rating | 50 μ A 3 Vdc to 10 mA 5 Vdc (Resistive load) | |
| Contact Resistance | 500 m Ω max. (Initial) | |
| Insulation Resistance | 100 M Ω min. (100 Vdc) | |
| Dielectric Withstanding Voltage | 100 Vac for 1 minute | |
| Operating Force | 300 mN max. | |
| Mounting Height | 1.2 mm | |
| Poles and Throws | 1-pole 1-throw | |
| Full Travel (Pushing distance) | Type V : 2.15 mm (2.15 mm) Type H : 3.05 mm (2.15 mm) | |
| Operating Life | 50000 cycles min. | |
| Temperature Range | -10 °C to +60 °C | |
| Heat Resistance | +70 °C for 96 hours | |
| Low Temperature Resistance | -25 °C for 96 hours | |
| Humidity Resistance | +40 °C 90 % to 95 % RH for 96 hours | |
| Minimum Quantity/Packing Unit | ESE13H | 5000 pcs. Embossed Taping (Reel Pack) |
| | ESE13V | 3000 pcs. Embossed Taping (Reel Pack) |
| Quantity/Carton | ESE13H | 30000 pcs. |
| | ESE13V | 18000 pcs. |

Design and specifications are each subject to change without notice. Ask factory for the current technical specifications before purchase and/or use.
Should a safety concern arise regarding this product, please be sure to contact us immediately.

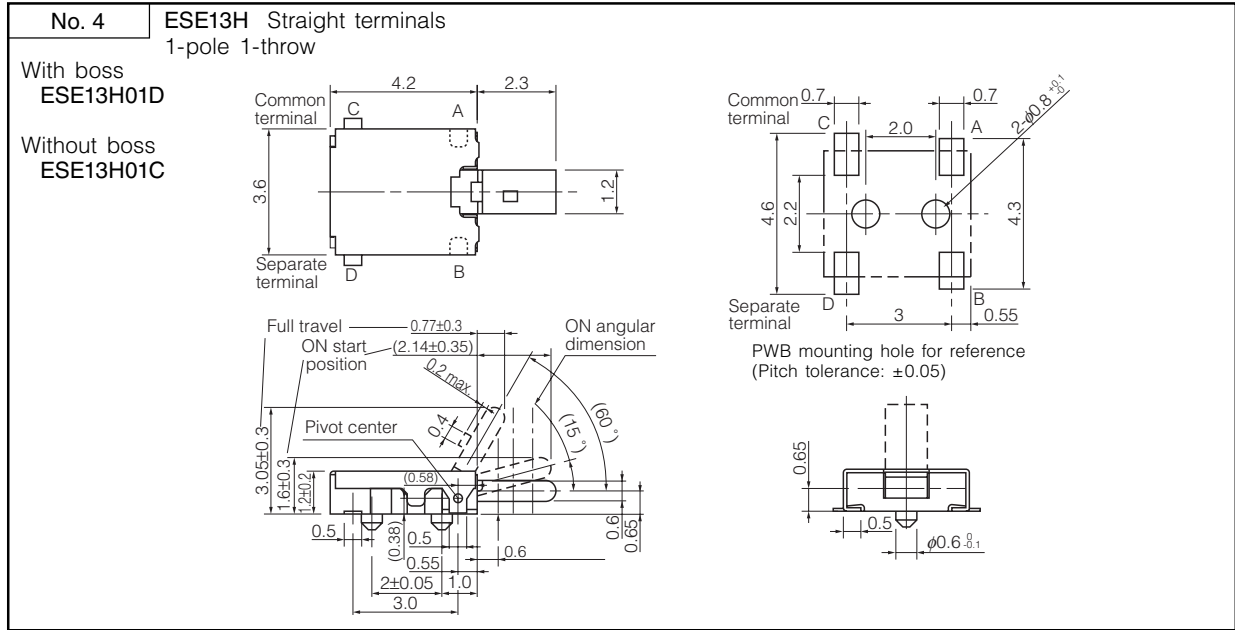
00 Sep. 2010

■ Dimensions in mm (not to scale)

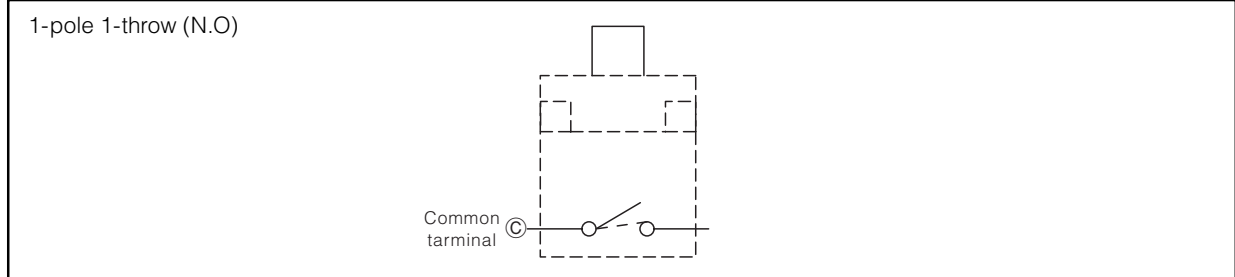


Design and specifications are each subject to change without notice. Ask factory for the current technical specifications before purchase and/or use. Should a safety concern arise regarding this product, please be sure to contact us immediately.

■ Dimensions in mm (not to scale)

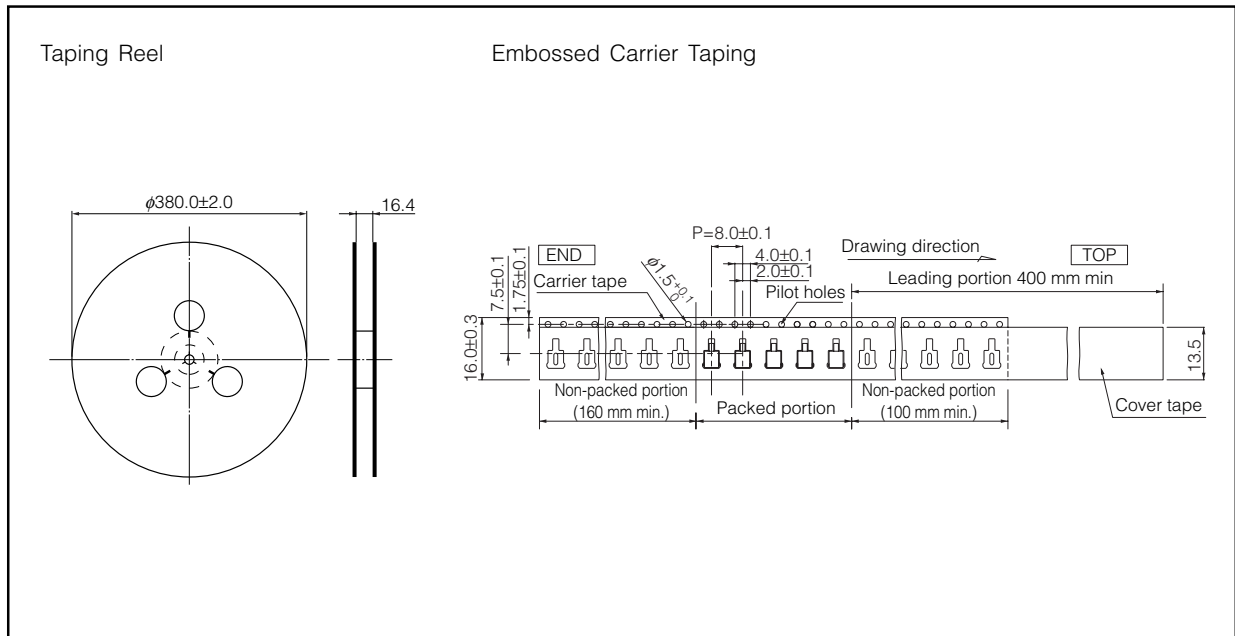


■ Circuit Diagram



■ Packaging Specifications

Standard Reel Dimensions in mm (not to scale)



Design and specifications are each subject to change without notice. Ask factory for the current technical specifications before purchase and/or use. Should a safety concern arise regarding this product, please be sure to contact us immediately.