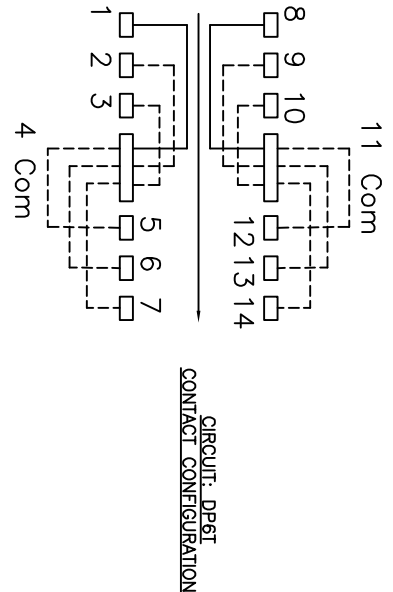
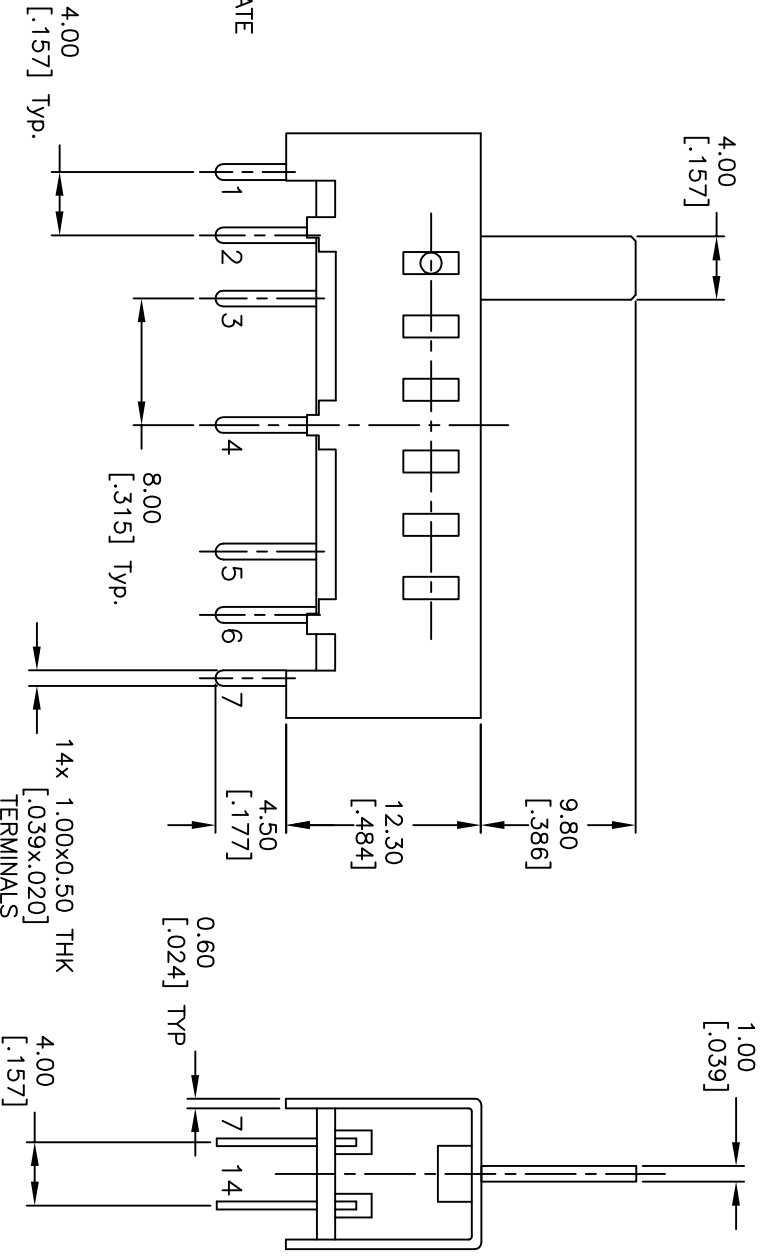
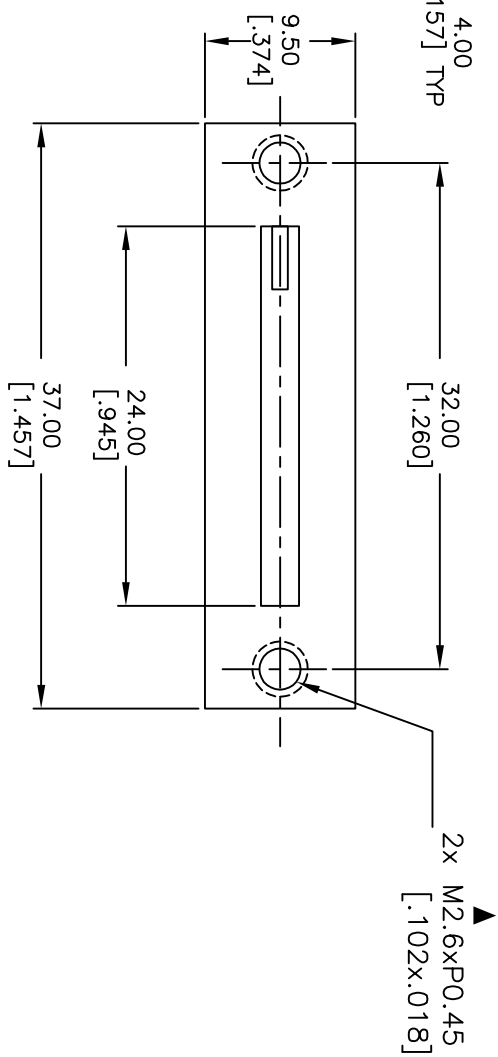


RECOMMENDED P.C.B. LAYOUT



CIRCUIT: DPST CONTACT CONFIGURATION

- NOTES:
1. ALL DIMENSIONS IN MM [INCH]
  2. GENERAL TOLERANCE: X.X=±0.4 X.XX=±0.25
  3. TERM. NOS. FOR REFERENCE ONLY.
  4. RATING: 0.3A @30V DC
  5. CONTACT MATERIAL: COPPER ALLOY W/ SILVER PLATE
  6. CONTACT RESISTANCE: >20mΩ (INITIAL)
  7. DIELECTRIC STRENGTH: 500V AC FOR 1 MIN
  8. OPERATING LIFE: 10,000 CYCLES MIN
  9. OPERATING FORCE: 300 ±100gf
  10. TRAVEL: 4mm
  11. ▲DENOTES CRITICAL PARAMETER.
  12. OPERATING TEMP: -20°C TO +70°C
  13. TIMING: NON-SPECIFIED
  14. 2002/95/EC (ROHS) COMPLIANT



B	18381	ADD TIMING NOTE	1/20/09	BLR
A	11789	RELEASED FOR PRODUCTION	10/25/01	CJC
REV.	ECN NO.	DESCRIPTION	DATE	CHKD

TITLE		EG 2601A	SCALE	2:1	DATE	1/20/09	DR	BLR	DWG	P040287	REV	B
-------	--	----------	-------	-----	------	---------	----	-----	-----	---------	-----	---