

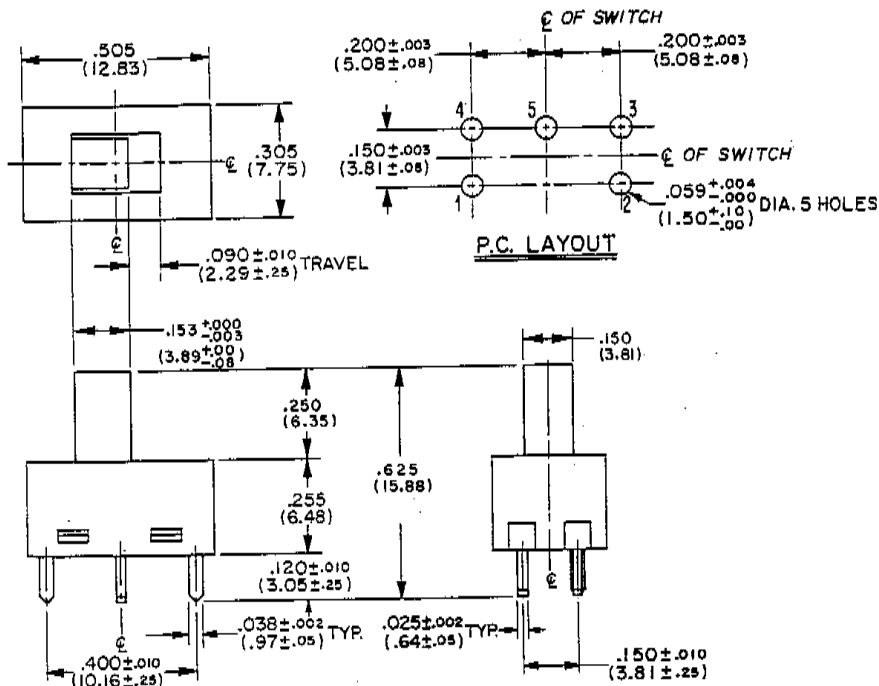
InActive

DIMENSIONS IN INCHES (MILLIMETERS)  
DO NOT SCALE DRAWING...

Drawing No. G-107-0016

NOTE:

DIMENSIONS IN ( ) ARE IN MILLIMETERS.



8" FORM-3

REVISIONS	0
RELEASED	
DGW	7-07-94

**CW INDUSTRIES**  
Southampton, Pa. 18966

TOLERANCES UNLESS OTHERWISE SPECIFIED

2 Place decimal (010)	METRIC
3 Place decimal (005)	1 Place dec. 1.25 MM
Angles	1° 2 Place dec. 1.13 MM

Made for CW IND.

Drawn by: DGW 7-07-94

Checked by: G.GUL 7-3-94

Approval: [Signature]

Title: **SWIDGET JR. ASSEMBLY S.P.-D.T.**

Division: **SWITCH**

Drawing No: **G-107-0016**