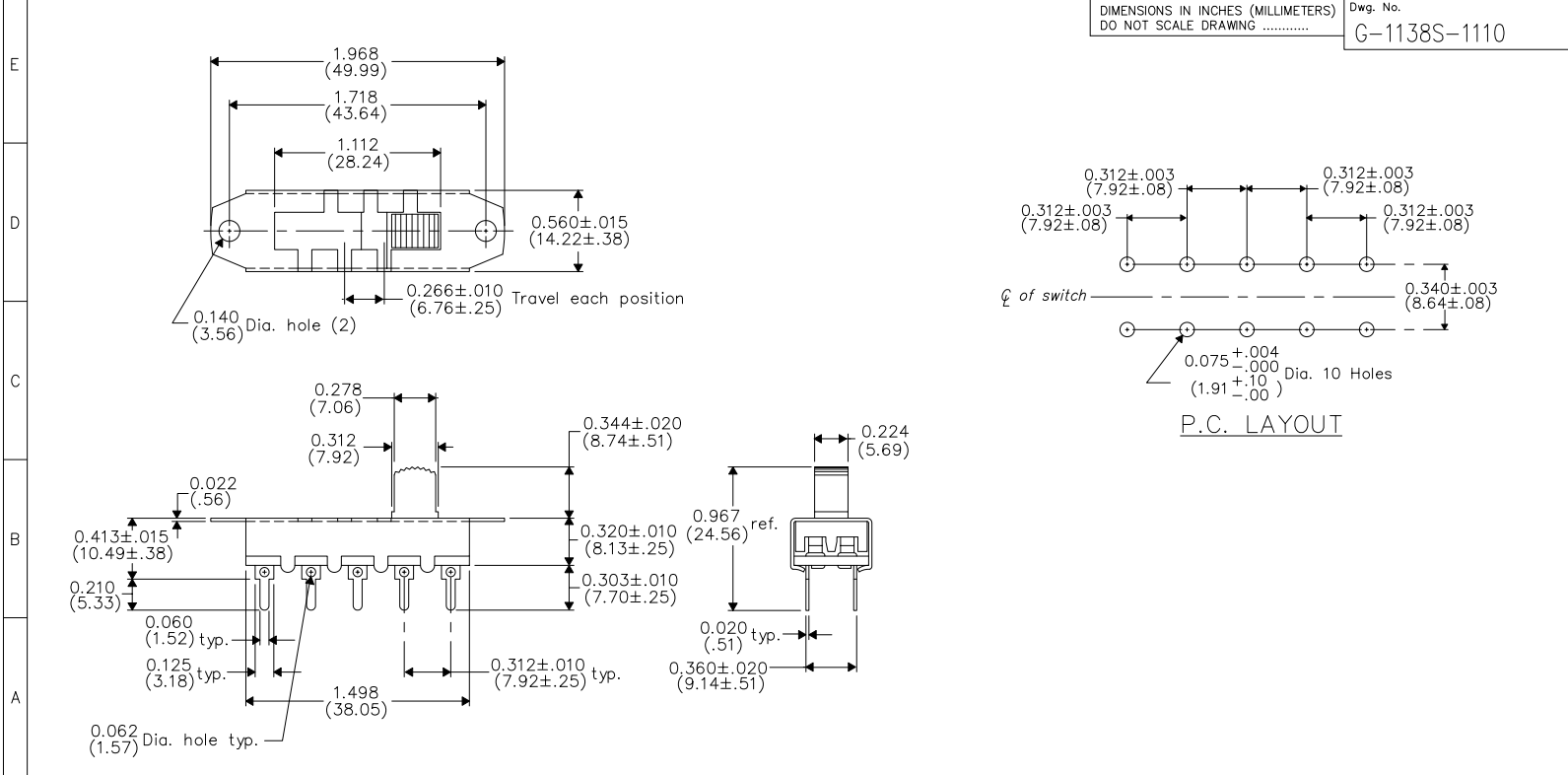
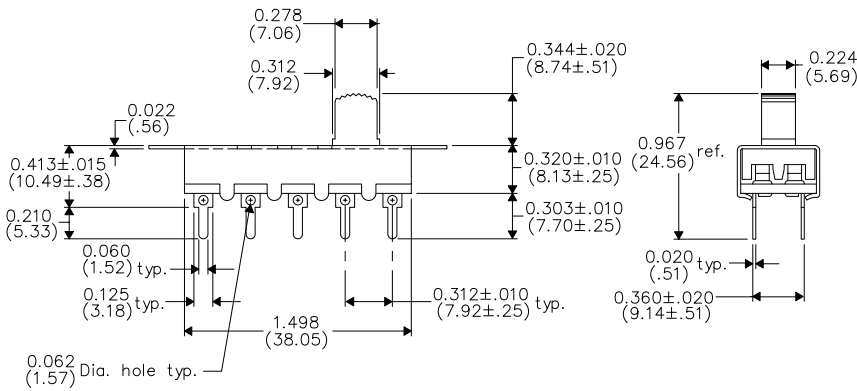
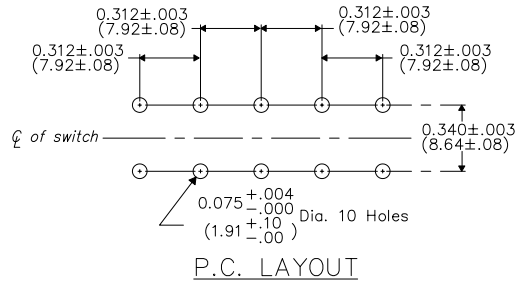
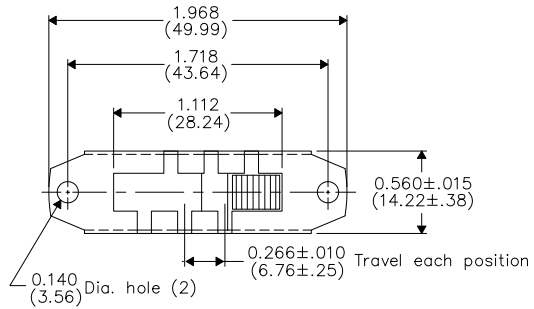


DIMENSIONS IN INCHES (MILLIMETERS)  
DO NOT SCALE DRAWING .....

Dwg. No.  
G-1138S-1110



FORM-B4	REVISIONS	0	<p>RELEASED: SPR 3-9-92 Mar. 10, 1992</p>	<p><b>CW INDUSTRIES</b> Southampton, Pa. 18966</p> <p>TOLERANCES UNLESS OTHERWISE SPECIFIED</p> <table border="1"> <tr> <td>2 Place Decimal ±.010</td> <td>METRIC</td> </tr> <tr> <td>3 Place Decimal ±.005</td> <td>1 Place Dec. ±.25mm</td> </tr> <tr> <td>Angles ..... 1°</td> <td>2 Place Dec. ±.13mm</td> </tr> </table> <p>Made for: CW IND.</p> <p>Drawn by: SPR 3-9-92</p> <p>Checked by: GG 3-10-92</p> <p>Approval: GZ</p>	2 Place Decimal ±.010	METRIC	3 Place Decimal ±.005	1 Place Dec. ±.25mm	Angles ..... 1°	2 Place Dec. ±.13mm	<p>Title: ASSEMBLY DRAWING SWITCH D.P./4 POS.</p> <p>Division: SWITCH</p> <p>Dwg. No. G-1138S-1110</p>
		2 Place Decimal ±.010			METRIC						
		3 Place Decimal ±.005			1 Place Dec. ±.25mm						
		Angles ..... 1°			2 Place Dec. ±.13mm						