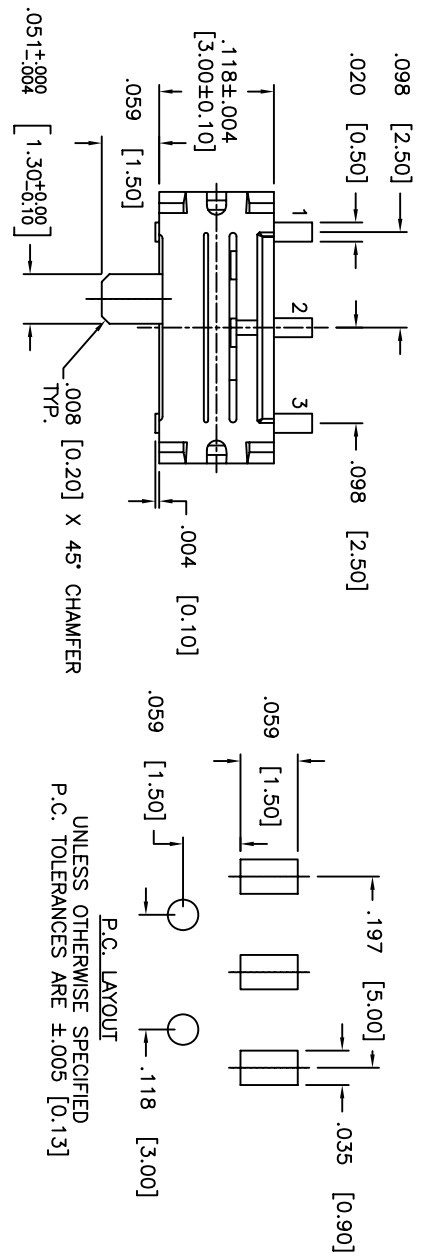


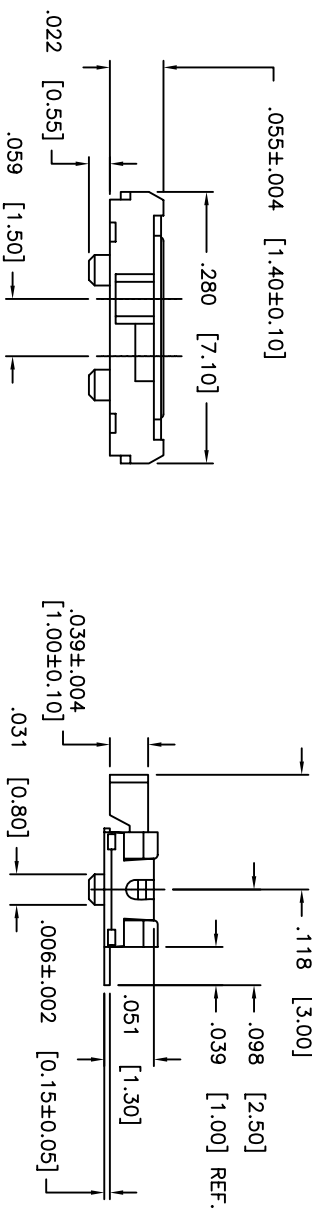
THIS DOCUMENT IS THE PROPERTY OF APDM COMPONENTS AND SHALL NOT BE COPIED, REPRODUCED, DISCLOSED OR USED AS THE BASIS FOR MANUFACTURING OR SALE WITHOUT PERMISSION OF A DULY AUTHORIZED REPRESENTATIVE OF APDM COMPONENTS INC.

DATE	SYM	REVISION RECORD	DWNL	CK
10/05	A	ECO# 485	CD	PD
3/06	B	ECO# 550	CD	PD

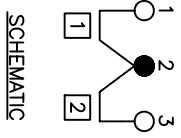


UNLESS OTHERWISE SPECIFIED P.C. TOLERANCES ARE ±.005 [0.13]

P.C. LAYOUT



MATERIALS:
 COVER: PHOSPHOR BRONZE WITH 1µm NICKEL PLATING
 SLIDER: POLAMIDO RESINS
 SWITCH BASE: POLYPHENYLENE SULFIDE RESINS
 TERMINAL: BRASS WITH 0.5µm SILVER OVER 1µm NICKEL OR 0.5 µm SILVER CLADD
 CONTACT: PHOSPHOR BRONZE WITH 1µm SILVER CLADDING
SOLDERING:
 HAND SOLDERING: 350°C±10°C FOR 3±1 SECONDS
 IR REFLOW: 240°C MAX.

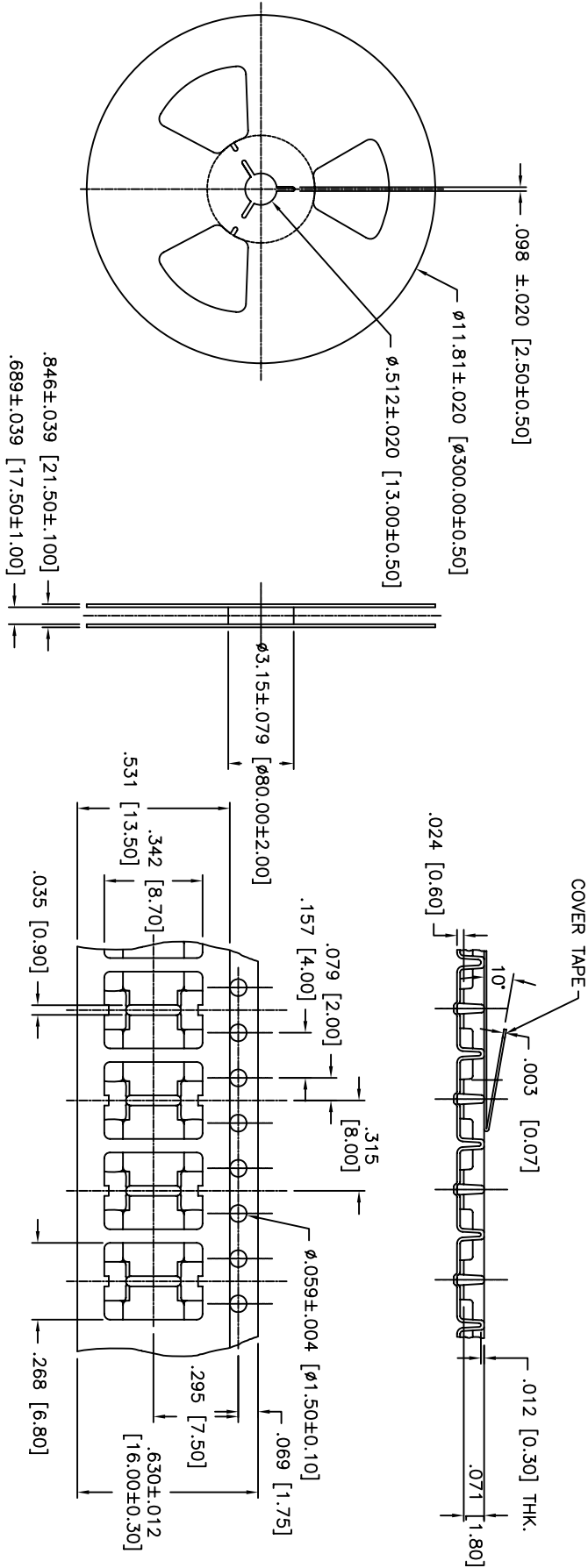


PART No.	PACKAGING
MRC12R	BULK
MRC12RTR	TAPE & REEL

DESIGNER'S OPTION		APDM		63 Neck Rd. 01835		P.N. DPM	
TOLERANCES (unless as noted)	INCH	SHEET	SIZE	SCALE	THIRD ANGLE PROJECTION	DRW. BR.	PJD
.XX = ±.02 [0.05]	1	OF 2	B	8:1	⊕		
.XXX = ±.004 [0.20]	TITLE MRC12R*						
.XXXX = ±.0008 [0.02]	DATE 08/16/00						
ANGLE = 40.5°	DRAWING NO. B7500						
DO NOT SCALE	REV B						

1 2 3 4 5 6 7 8

THIS DOCUMENT IS THE PROPERTY OF APDM COMPONENTS AND SHALL NOT BE COPIED, REPRODUCED, DISCLOSED OR USED AS THE BASIS FOR MANUFACTURING OR SALE WITHOUT PERMISSION OF A DULY AUTHORIZED REPRESENTATIVE OF APDM COMPONENTS INC.



NOT TO SCALE

DATE	SYM	REVISION RECORD	DWN.	CK.
10/05	A	ECO# 485	CD	PD
3/06	B	ECO# 550	CD	PD

Q.A. INSPECT: Δ DESIGNS CRITICAL DIMENSION		APDM APDM COMPONENTS INC. 63 NACK RD. HOUSTON, TX 01835 PHONE: 281-372-5554 FAX: 281-372-5554		PRN: DPM BR: PJD
TOLERANCES (UNLESS AS NOTED) .XX = ±0.005 .XXX = ±0.008 [0.20] .XXXX = ±0.008 [0.02] ANGLE = 30.5°		INCH SHEET SIZE SCALE THIRD ANGLE PROJECTION 2 OF 2 B 8:1	DRWING NO. B7500 DATE 08/16/00	REV A
DO NOT SCALE DRAWING		TITLE MRC12R*		

1 2 3 4 5 6 7 8

A B C D E