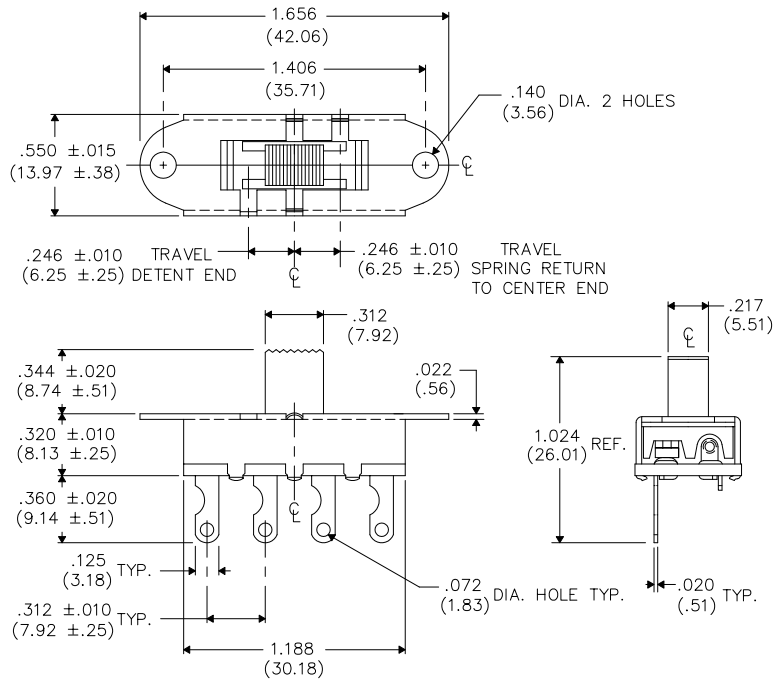


DIMENSIONS IN INCHES (MILLIMETERS)
DO NOT SCALE DRAWING

Dwg. No.
G-633S-0000



FORM-B4	REVISIONS	0							CW INDUSTRIES Southampton, Pa. 18966 TOLERANCES UNLESS OTHERWISE SPECIFIED 2 Place Decimal ±.010 METRIC 3 Place Decimal ±.005 1 Place Dec. ±.25mm Angles ±1' 2 Place Dec. ±.13mm		Title: SWITCH ASSEMBLY SPRING RETURN S.P.- 3 POS.	
		RELEASED: DGW 7-27-94 RBK Aug. 2, 1994							Made for: CW IND. Drawn by: DGW 7-27-94 Checked by: GG 8-1-94 Approval: RBK 8-2-94		Division: SWITCH Dwg. No. G-633S-0000	