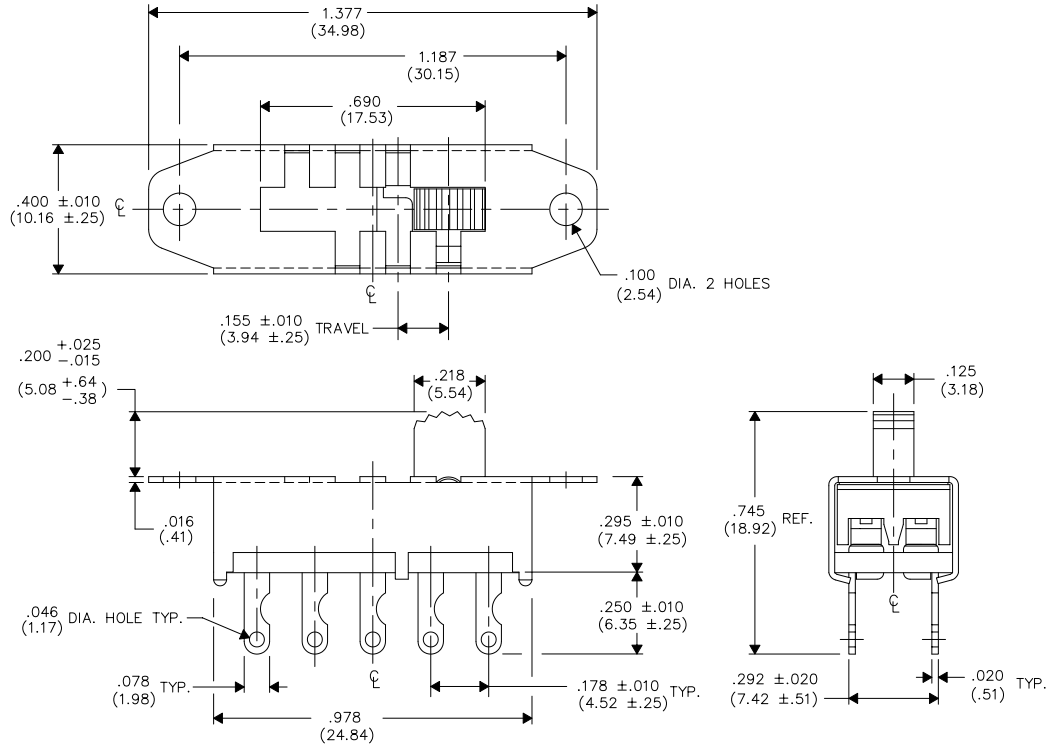


DIMENSIONS IN INCHES (MILLIMETERS)
DO NOT SCALE DRAWING

Dwg. No. G-141S-3011



FORM-B
REVISIONS
O
RELEASED 12-13-94
DCW 12-15-94
CH 12-15-94

CW INDUSTRIES
Southampton, Pa. 18966
TOLERANCES UNLESS OTHERWISE SPECIFIED:
2 Place decimal ±.010 METRIC
3 Place decimal ±.005 1 Place dec. ±.25mm
Angles ± 1° 2 Place dec. ±.13mm
Made for: CW IND.
Drawn by: DGW 12-13-94
Checked by: GG 12-15-94
Approval: CH 12-15-94

Title:
SWIDGET ASSEMBLY
D.P. - 4 POS.
Division:
SWITCH
Dwg. No.
G-141S-3011