
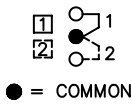
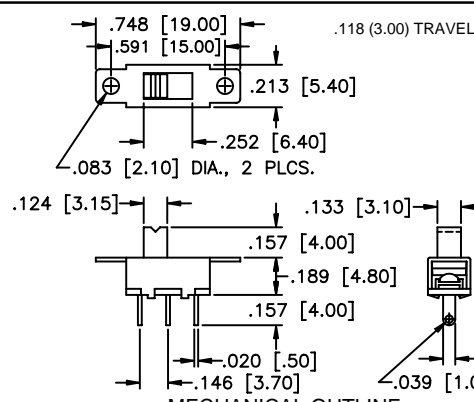
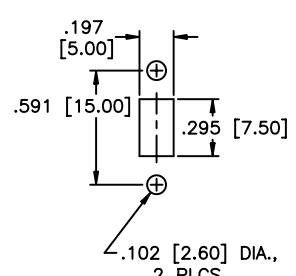

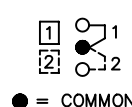
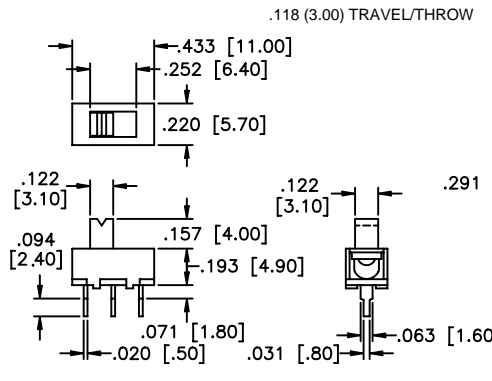
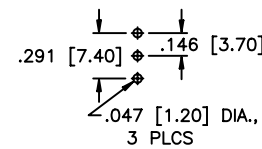


SLG Series

Miniature Slide Switches

SPECIFICATIONS SUBJECT TO CHANGE WITHOUT NOTICE

SPECIFICATIONS	FEATURES
<p>Contact ratings: 300 mA at 125 VAC or 30 VDC</p> <p>Initial contact resistance: 20 milliohms max.</p> <p>Insulation resistance: 100 megohms min. at 500 VDC</p> <p>Dielectric strength: 500 volts RMS for 1 minute</p> <p>Electrical life: 10,000 cycles min.</p> <p>Operating temperature range: -20°C to +85°C</p> <p>Actuation force: 200g ± 75g</p> <p>Solder heat resistance: 260°C max. for 3 seconds</p> <p>Solvent washing permissible</p>	<ul style="list-style-type: none"> ● Wash-through open frame construction. ● Panel and p.c. mounting models. ● Positive spring loaded ball detent mechanism.
	MATERIALS
	<p>Contacts & terminals: Silver plated</p> <p>Frame: Zinc plated steel</p> <p>Actuator: Thermoplastic</p> <p>Base: Phenolic laminated sheet</p>

MODEL NO.	1P2T		
SLG12004	.118 (3.00) TRAVEL/THROW		
	 <p>● = COMMON</p>	 <p>MECHANICAL OUTLINE</p>	 <p>PANEL CUTOUT</p>
MODEL NO.	1P2T		
SLG12014	.118 (3.00) TRAVEL/THROW		
 <p>VERTICAL MOUNTING</p>	 <p>● = COMMON</p>	 <p>MECHANICAL OUTLINE</p>	 <p>P.C. BOARD LAYOUT</p>