
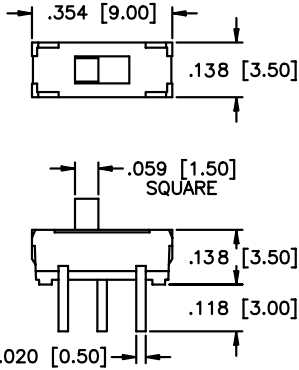
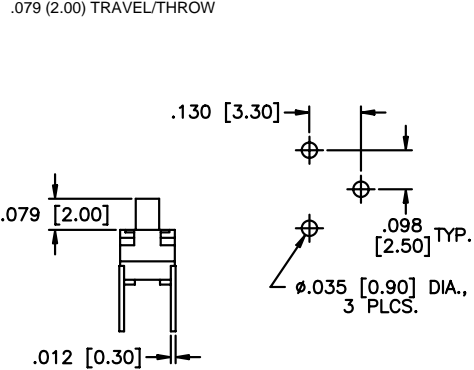
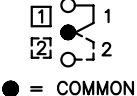

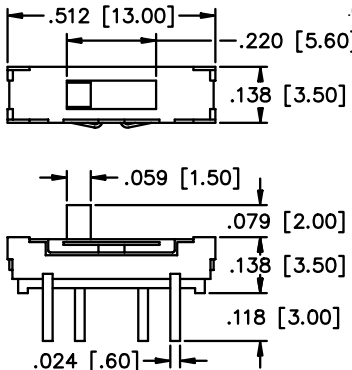
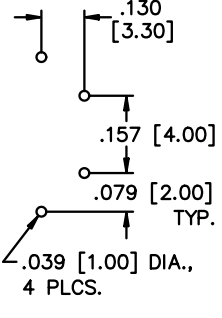
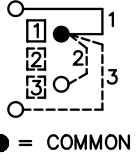

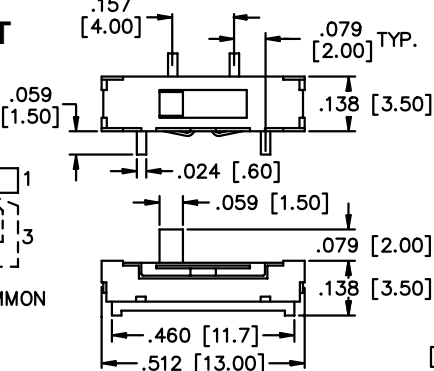
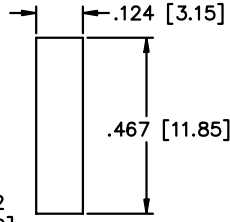
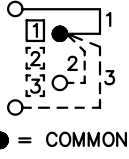


MS Series

Microminiature Slide Switches

SPECIFICATIONS	FEATURES
<p>Contact rating: 300 mA at 6 VDC</p> <p>Initial contact resistance: 70 milliohms max.</p> <p>Insulation resistance: 100 megohms max. at 500 VDC</p> <p>Dielectric strength: 500 volts RMS at sea level</p> <p>Electrical life: 10,000 cycles min.</p> <p>Operating temperature range: -10°C to +60°C</p> <p>Solder heat resistance: 260°C max. for 3 seconds</p> <p>Washing not recommended</p>	<ul style="list-style-type: none"> ● Low profile. ● Insert molded terminals. ● Stainless steel cover.
MATERIALS	
	<p>Contacts & terminals: Silver plated</p> <p>Cover: Stainless steel</p> <p>Actuator: Thermoplastic</p> <p>Base: High temperature thermoplastic Terminal seal: Insert molded</p>

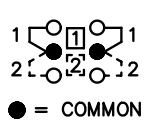
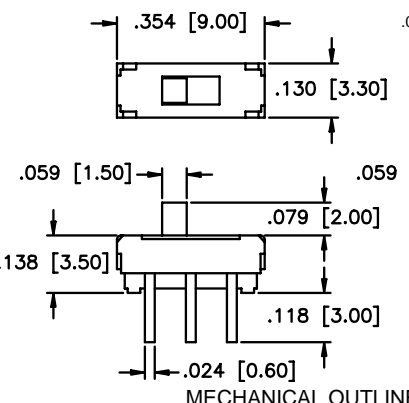
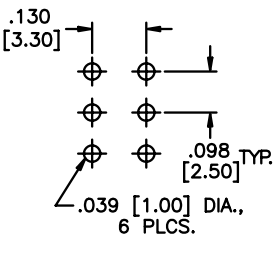
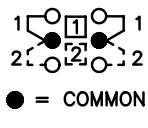
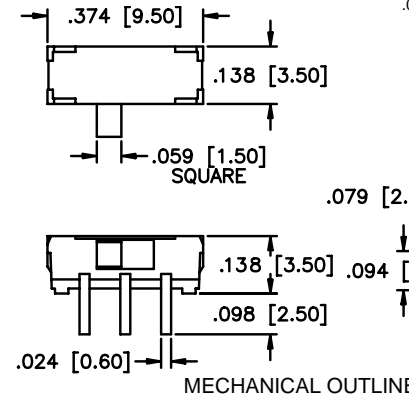
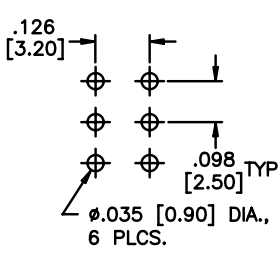
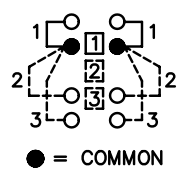
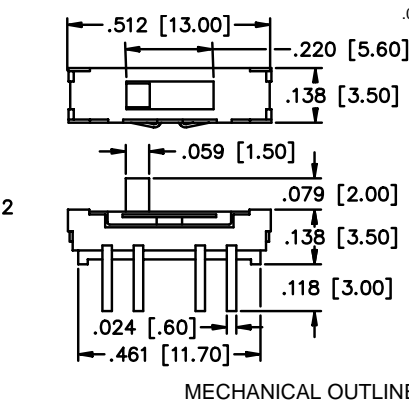
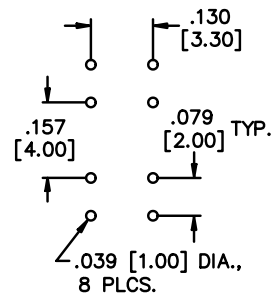
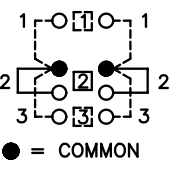
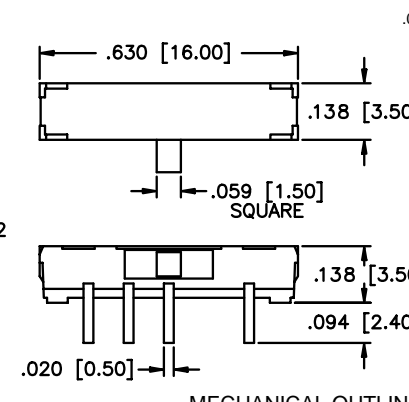
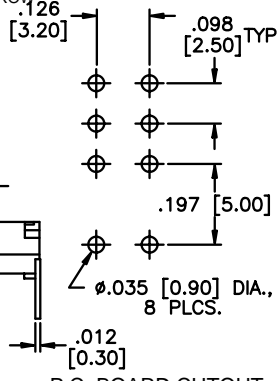
SPECIFICATIONS SUBJECT TO CHANGE WITHOUT NOTICE


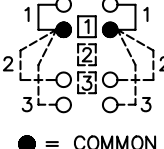
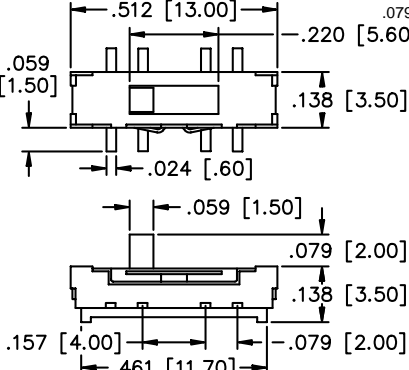
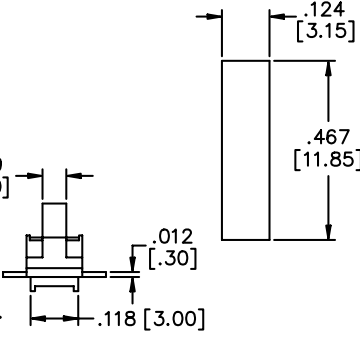

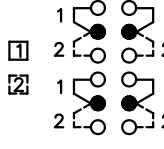
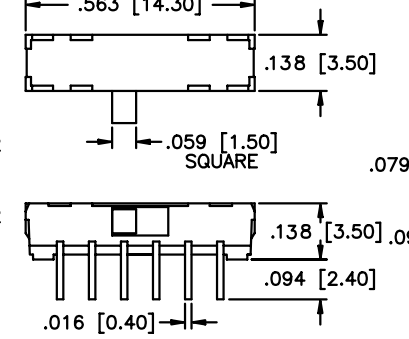
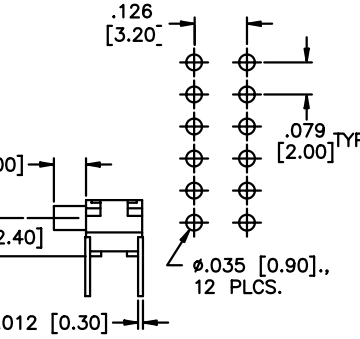
MODEL NO.			
MS12			
	1P2T		
VERTICAL ACTUATOR	 <p>● = COMMON</p>	.079 (2.00) TRAVEL/THROW .138 [3.50] .059 [1.50] SQUARE .118 [3.00] .020 [0.50]	.130 [3.30] .098 [2.50] TYP. .079 [2.00] .012 [0.30] .035 [0.90] DIA., 3 PLCS.
	SCHEMATIC	MECHANICAL OUTLINE	P.C. BOARD LAYOUT
MODEL NO.			
MS13			
	1P3T		
VERTICAL ACTUATOR	 <p>● = COMMON</p>	.079 (2.00) TRAVEL/THROW .220 [5.60] .138 [3.50] .059 [1.50] .079 [2.00] .118 [3.00] .024 [.60]	.130 [3.30] .157 [4.00] .079 [2.00] TYP. .039 [1.00] DIA., 4 PLCS.
	SCHEMATIC	MECHANICAL OUTLINE	P.C. BOARD CUTOUT
MODEL NO.			
MS13S			
	1P3T		
VERTICAL ACTUATOR	 <p>● = COMMON</p>	.079 (2.00) TRAVEL/THROW .138 [3.50] .079 [2.00] TYP. .059 [1.50] .024 [.60] .059 [1.50] .079 [2.00] .118 [3.00] .460 [11.7] .512 [13.00]	.124 [3.15] .467 [11.85] .012 [0.30]
	SCHEMATIC	MECHANICAL OUTLINE	P.C. BOARD LAYOUT

MS Series

Microminiature Slide Switches

SPECIFICATIONS SUBJECT TO CHANGE WITHOUT NOTICE

<p>MODEL NO.</p> <p>MS22</p>	<p>2P2T</p>  <p>● = COMMON</p>	 <p style="text-align: center;">MECHANICAL OUTLINE</p>	<p style="text-align: center;">.079 (2.00) TRAVEL/THROW</p>  <p style="text-align: center;">P.C. BOARD LAYOUT</p>
<p>VERTICAL ACTUATOR</p>	<p>SCHMATIC</p>	<p>MECHANICAL OUTLINE</p>	<p>P.C. BOARD LAYOUT</p>
<p>MODEL NO.</p> <p>MS22R</p>	<p>2P2T</p>  <p>● = COMMON</p>	 <p style="text-align: center;">MECHANICAL OUTLINE</p>	<p style="text-align: center;">.079 (2.00) TRAVEL/THROW</p>  <p style="text-align: center;">P.C. BOARD LAYOUT</p>
<p>RIGHT ANGLE ACTUATOR</p>	<p>SCHMATIC</p>	<p>MECHANICAL OUTLINE</p>	<p>P.C. BOARD LAYOUT</p>
<p>MODEL NO.</p> <p>MS23</p>	<p>2P3T</p>  <p>● = COMMON</p>	 <p style="text-align: center;">MECHANICAL OUTLINE</p>	<p style="text-align: center;">.079 (2.00) TRAVEL/THROW</p>  <p style="text-align: center;">P.C. BOARD LAYOUT</p>
<p>VERTICAL ACTUATOR</p>	<p>SCHMATIC</p>	<p>MECHANICAL OUTLINE</p>	<p>P.C. BOARD LAYOUT</p>
<p>MODEL NO.</p> <p>MS23R</p>	<p>2P3T</p>  <p>● = COMMON</p>	 <p style="text-align: center;">MECHANICAL OUTLINE</p>	<p style="text-align: center;">.079 (2.00) TRAVEL/THROW</p>  <p style="text-align: center;">P.C. BOARD CUTOUT</p>
<p>RIGHT ANGLE ACTUATOR</p>	<p>SCHMATIC</p>	<p>MECHANICAL OUTLINE</p>	<p>P.C. BOARD CUTOUT</p>

MODEL NO.			
MS23S			
 <p>VERTICAL ACTUATOR</p>	<p>2P3T</p>  <p>● = COMMON</p>	 <p>MECHANICAL OUTLINE</p>	 <p>P.C. BOARD CUTOUT</p>
MODEL NO.			
MS42R			
 <p>RIGHT ANGLE ACTUATOR</p>	<p>4P2T</p>  <p>● = COMMON</p>	 <p>MECHANICAL OUTLINE</p>	 <p>P.C. BOARD LAYOUT</p>

SPECIFICATIONS SUBJECT TO CHANGE WITHOUT NOTICE