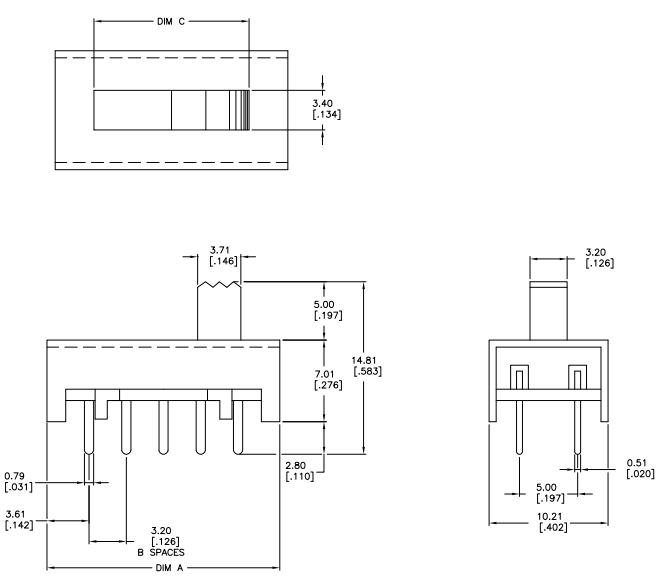


THIS DRAWING IS UNPUBLISHED. REPRODUCED FOR IDENTIFICATION.
 © 2008 BY TYSO ELECTRONICS CORPORATION. ALL RIGHTS RESERVED.

REV. NO.		REVISIONS		DATE	BY	APP'D
AD	00	DESCRIPTION				
	B	ECO 06 17718			030206	MS MS



SPECIFICATIONS:
BREAK-BEFORE-MAKE

MATERIALS:
 FRAME: STEEL, ZINC PLATE
 ACTUATOR: PBT UL94HB, BLACK
 FIXED CONTACT/TERMINAL: COPPER ALLOY, SILVER OVER NICKEL PLATE
 MOVING CONTACT: COPPER ALLOY, SILVER CLAD
 TERMINAL BOARD: PHENOLIC, UL94HB

ELECTRICAL:
 CONTACT RATING: 250 MILLIAMPS@125V AC, 150 MILLIAMPS@12V DC
 CONTACT RESISTANCE: 30 MILLIOHMS MAX (INITIAL), 60 MILLIOHMS AFTER TEST
 INSULATION RESISTANCE: 500 MEGOHMS MIN
 DIELECTRIC STRENGTH: 500 VOLTS RMS AT SEA LEVEL
 LIFE EXPECTANCY: 10,000 CYCLES MIN. NO LOAD, 6,000 AT RATED CURRENT

MECHANICAL:
 ACTUATION FORCE: 250 +150/-100 GRAMS
 TRAVEL: .126 (3.20)

ENVIRONMENTAL:
 OPERATING TEMPERATURE: -10°C TO +60°C
 STORAGE TEMPERATURE: -10°C TO +60°C
 RESISTANCE TO SOLDER HEAT: 260°C FOR 10 SEC PER 109-202, CONDITION B
 SOLDERABILITY PER EIA-364-56A, PROCEDURE 3, CONDITION B

- NOTES:**
1. ALL MATERIALS AND FINISHES SHALL COMPLY WITH EU DIRECTIVE 2002/95/ECOF 27JAN2003 (ROHS)
 2. FOR FUNCTION DIAGRAM SEE SHEET 2 OF 2
 3. ALL PERFORMANCE SPECIFICATIONS WERE TESTED IN ACCORDANCE WITH JIS-C-5441 UNLESS OTHERWISE STATED.

DIM C	DIM B	DIM A	POSITION	ALCO PART NUMBER	TYCO PART NUMBER
.776 [19.7]	6 SPACES	1.039 [26.39]	6	SLS260PC04	1825080-5
.650 [16.5]	5 SPACES	.913 [23.19]	5	SLS250PC04	1825080-4
.524 [13.3]	4 SPACES	.787 [19.99]	4	SLS240PC04	1825080-3
.398 [10.1]	3 SPACES	.661 [16.79]	3	SLS230PC04	1825080-2
.272 [6.9]	2 SPACES	.535 [13.59]	2	SLS220PC04	1825080-1

THIS DRAWING IS A CONTROLLED DOCUMENT. SEE SPECIFICATIONS.

INCHES (DIMENSIONS) DIMENSIONS (DIMENSIONS) DIMENSIONS (DIMENSIONS)

UNLESS OTHERWISE SPECIFIED, DIMENSIONS ARE IN INCHES.

DATE: 06/17/18

REV: B

PROJECT: SLIDE SWITCH, SLS***PC04 SERIES, 2 TO 6 POSITION

SIZE: A1

DATE: 06/17/18

REV: B

CUSTOMER DRAWING: 1825080

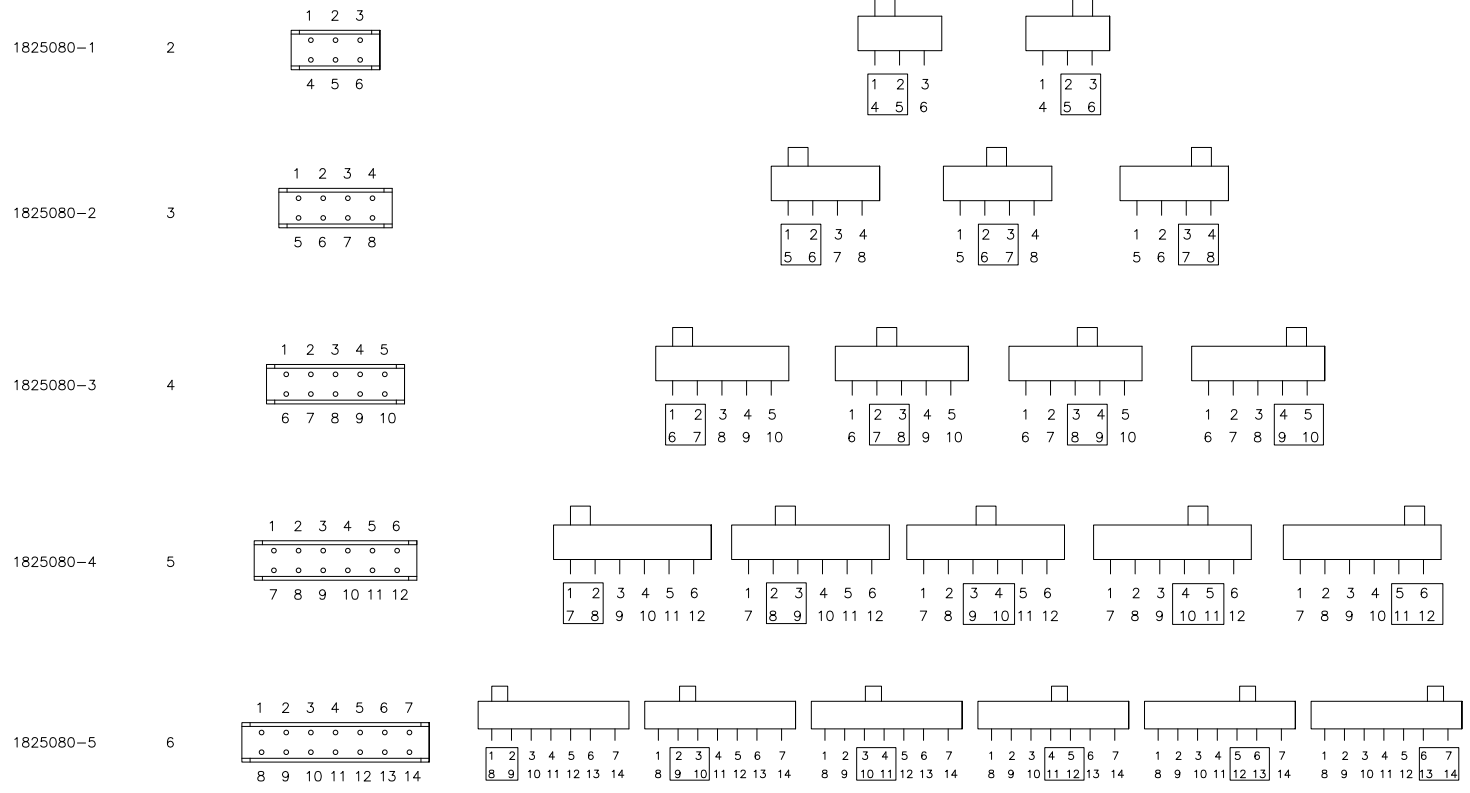
DATE: 06/17/18

REV: B

THIS DRAWING IS UNPUBLISHED. REPRODUCED FOR IDENTIFICATION PURPOSES ONLY. ALL RIGHTS RESERVED.

REV	DATE	DESCRIPTION	BY	CHK	APP
AD	00	SEE SHEET 1	-	-	-

PART NUMBER POSITION BOTTOM VIEW FUNCTION DIAGRAM □ - INDICATES TERMINALS CONNECTED



THIS DRAWING IS A CONTROLLED DOCUMENT. **Elcodis** Tys Electronics Corporation
 Harrisburg, Pa 17105-3008

DESIGNER: ELC	DATE: 00	REV: AD	DESCRIPTION: SEE SHEET 1
BY: AD	DATE: 00	REV: AD	DESCRIPTION: SEE SHEET 1
CHK: AD	DATE: 00	REV: AD	DESCRIPTION: SEE SHEET 1
APP: AD	DATE: 00	REV: AD	DESCRIPTION: SEE SHEET 1
SEE SPECIFICATIONS			

CUSTOMER DRAWING SIZE: 1:1 SHEET: 2 OF 2