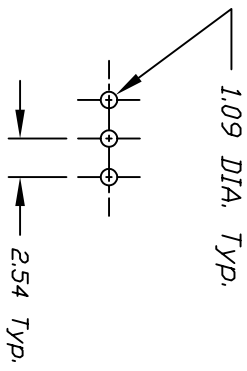
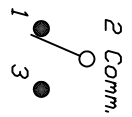
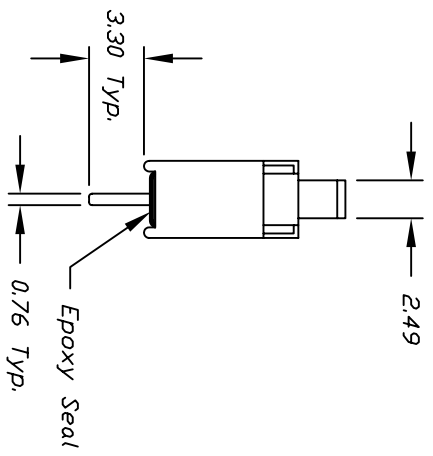
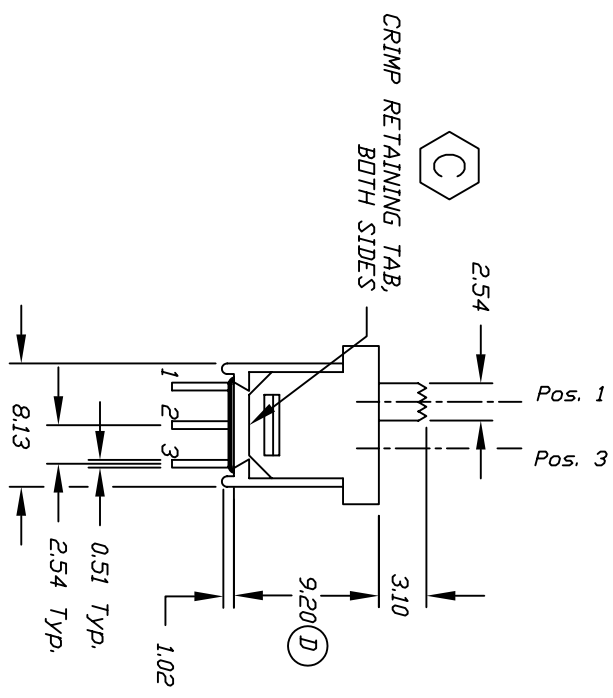


- NOTES:
1. ALL DIMENSIONS IN MM
 2. TERM. NOS. FOR REF. ONLY
 3. RATING: 1A @120VAC DR 28VDC 3A @250VAC
 4. CRIMP METAL RETAINING BRACKET 5. 2002/95/EC (ROHS) COMPLIANT



RECOMMEND P.C.B. LAYOUT



CIRCUIT: SPDT
CONTACT CONFIGURATION

SWITCH FUNCTION	
POS. 1	POS. 3
DN	DN
2-1	2-3

F	15955	EDIT RATING	4/11/06	CT
E	15823	EDIT RATING	2/27/06	PH
D	15427	CHANGED FROM 8.79	10/21/05	PH
C		ADDED NOTES	7/5/05	JB
B		REVISED & REDRAWN		
REV.	ECN	DESCRIPTION	DATE	CHK

TITLE		SCALE	DATE	DR	DWG	REV
500A SSP-1 M2 Q E		2:1	12/12/97	MM	T551002	F

E-SWITCH®