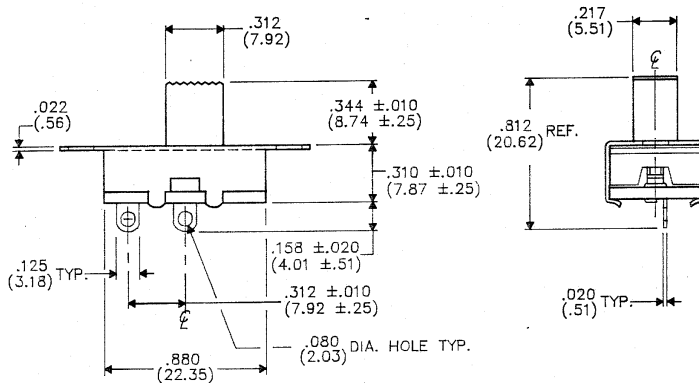
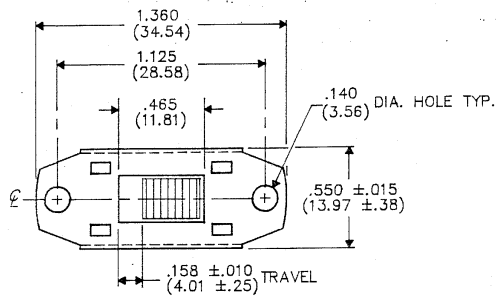


DIMENSIONS IN INCHES (MILLIMETERS)
DO NOT SCALE DRAWING...

Drawing No.
GF-1123-0009



B- FORM 9
REVISIONS
RELEASED 15-15-94

CW INDUSTRIES
Southampton, Pa. 18966

Title
**SWITCH ASSEMBLY
S.P.-S.T.
FLAT KNURL**

TOLERANCES UNLESS OTHERWISE SPECIFIED
2 Place decimal ±.010 METRIC
3 Place decimal ±.005 | Place dec. ±.25 MM
Angles ±1° | 2 Place dec. ±.13 MM

Made for: CW IND.

Division
SWITCH

Drawn by: DGW 4-15-94

Drawing No.

Checked by: G. G. L. 4-21-94

GF-1123-0009

Approval: J. B. C. 4-21-94

MASTER