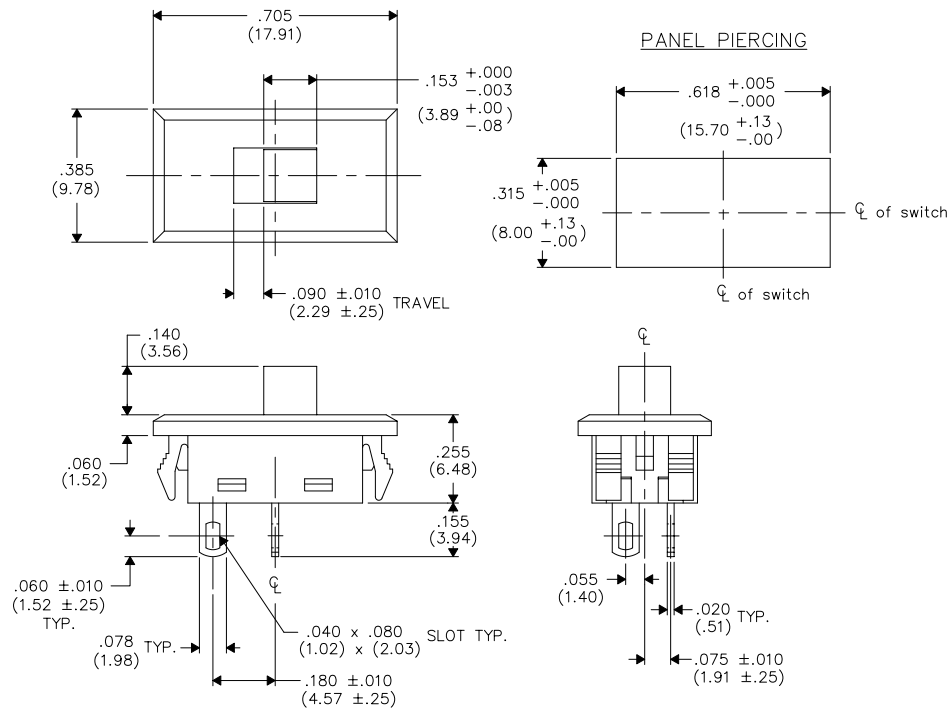


DIMENSIONS IN INCHES (MILLIMETERS)
DO NOT SCALE DRAWING

Dwg. No.
G-107SI-0005



FORM-B

REVISIONS	0
RELEASED	DGW 8-08-94
	RBK

CW INDUSTRIES
Southampton, Pa. 18966

TOLERANCES UNLESS OTHERWISE SPECIFIED

2 Place decimal ±.010	METRIC
3 Place decimal ±.005	1 Place dec. ±.25mm
Angles ± 1°	2 Place dec. ±.13mm

Made for: CW IND.

Drawn by: DGW 8-08-94

Checked by: GG 8-10-94

Approval: RBK 8-10-94

Title: MICRO SWITCH ASSEMBLY SNAP-IN S.P. - S.T.

Division: SWITCH

Dwg. No. G-107SI-0005