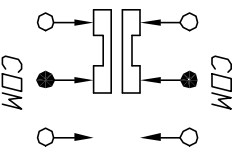
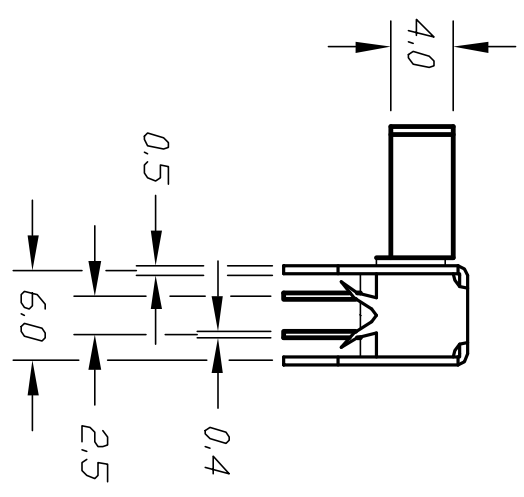
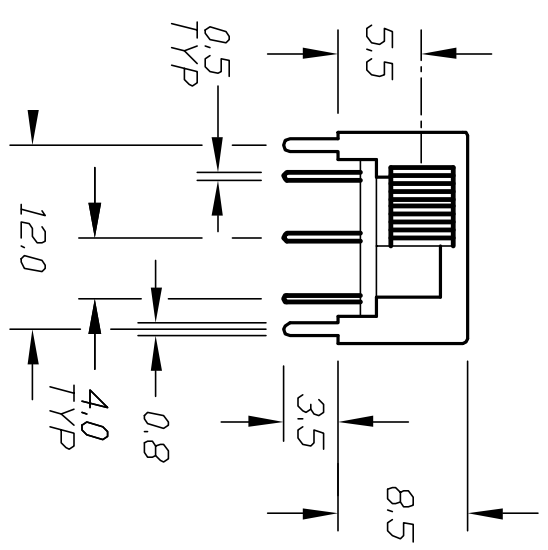
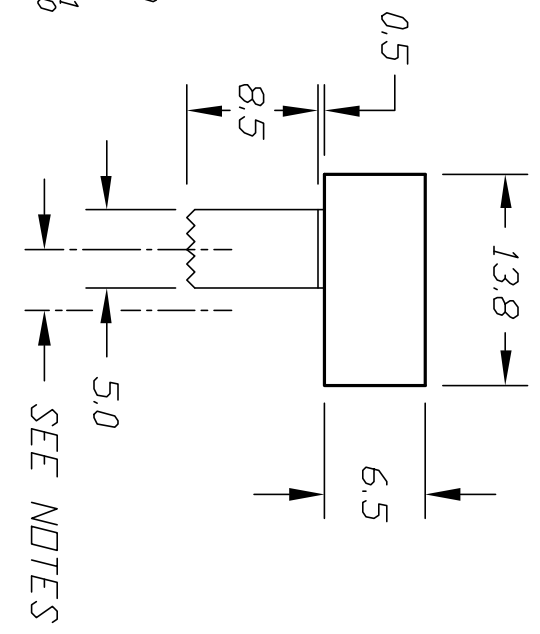


CONTACT CONFIGURATION



NOTES:

1. ALL DIMENSIONS IN MM
2. GENERAL TOLERANCE: X.X=±0.4
X.XX=±0.25
3. RATINGS: 15V DC, 0.5A
4. TIMING: NON-SHORTING
5. TRAVEL: 4.00mm
6. OPERATING FORCE: 250±100gf
7. TERMINAL PC BOARD



E-SWITCH®

B	12648	REVISED AND REDRAWN	12/20/02	CJB
--	12648	ADD NOTES	12/20/02	CJB
REV.	ECN No.	DESCRIPTION	DATE	CHKD

TITLE		EG 2219	
SCALE	DATE	DR	DWG
2:1	8/9/95	JL	P040170
			REV
			B

THE INFORMATION CONTAINED IN THIS DOCUMENT IS PROPRIETARY TO E-SWITCH AND IS NOT TO BE COPIED OR TRANSFERRED