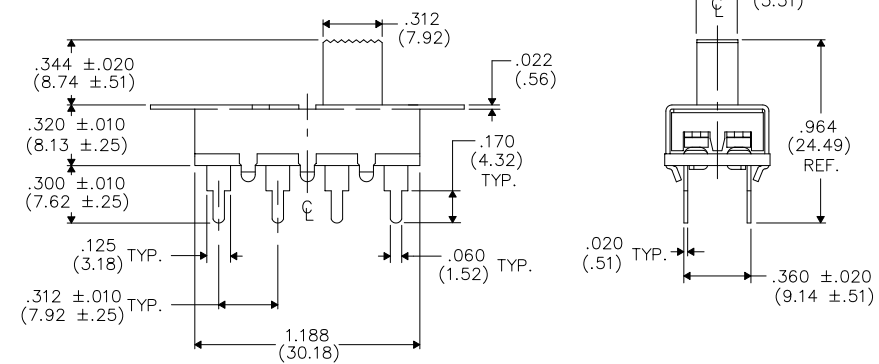
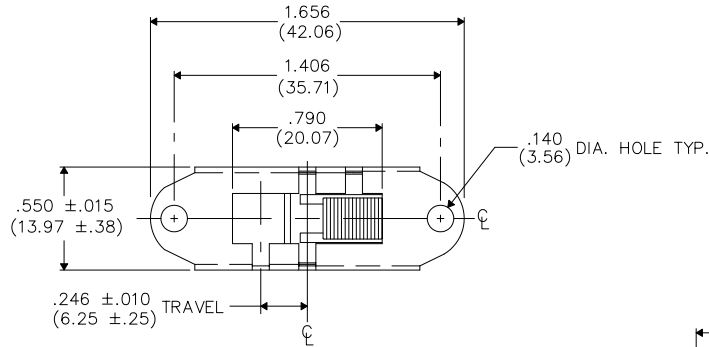
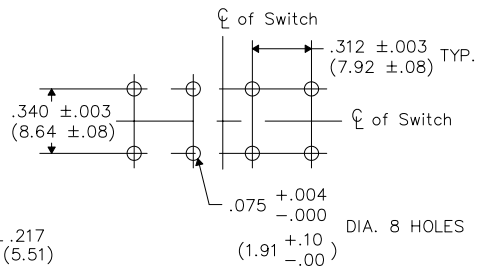


DIMENSIONS IN INCHES (MILLIMETERS)
DO NOT SCALE DRAWING

Dwg. No.
G-328S-0008

P.C. LAYOUT
"COMPONENT SIDE"



E
D
C
B
A

1 2 3 4 5 6 7 8 9 10

B-FORMAT 2002
REVISIONS
1
REDRAWN PER NEW FORMAT.
DGW 6-04-2003
June 04, 2003

CW INDUSTRIES Southampton, Pa. 18966 <small>TOLERANCES UNLESS OTHERWISE SPECIFIED</small> 2 Place Decimal $\pm .010$ METRIC 3 Place Decimal $\pm .005$ 1 Place Dec. $\pm .25$ mm Angles $\pm 1^\circ$ 2 Place Dec. $\pm .13$ mm	Title:	SWITCH ASSEMBLY D.P.- 3 POS.
	Made for:	CW IND.
	Drawn by:	DGW 6-04-2003
	Checked by:	GG 6-4-03
Approval:	BF 6-4-3	Division: SWITCH
PDF File Made	Dwg. No.	G-328S-0008