

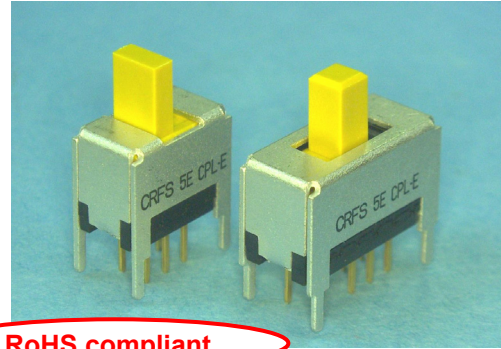
ULTRA HIGH FREQUENCY SLIDE SWITCHES

CRFS-2202 / 2302

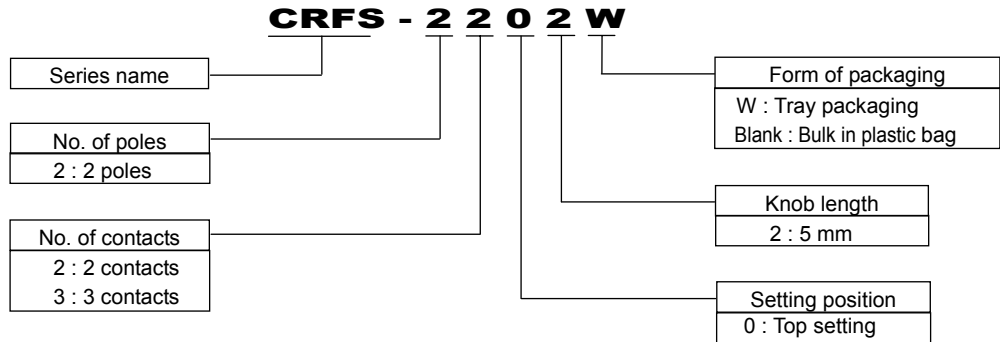
■ FEATURES

- Covering the DC ~ 1GHz frequency spectrum
- Gold-plated contact provides excellent reliability
- Lead-free soldering

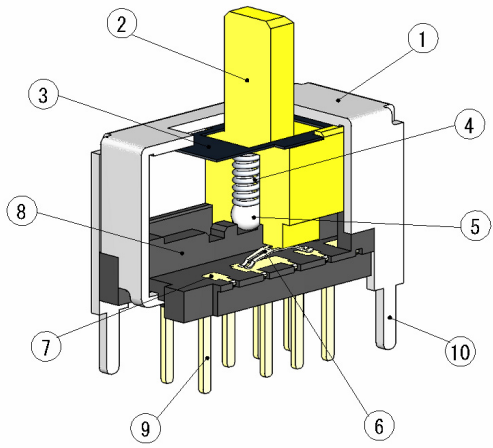
■ PART NUMBER DESIGNATION



RoHS compliant



■ INTERNAL STRUCTURE



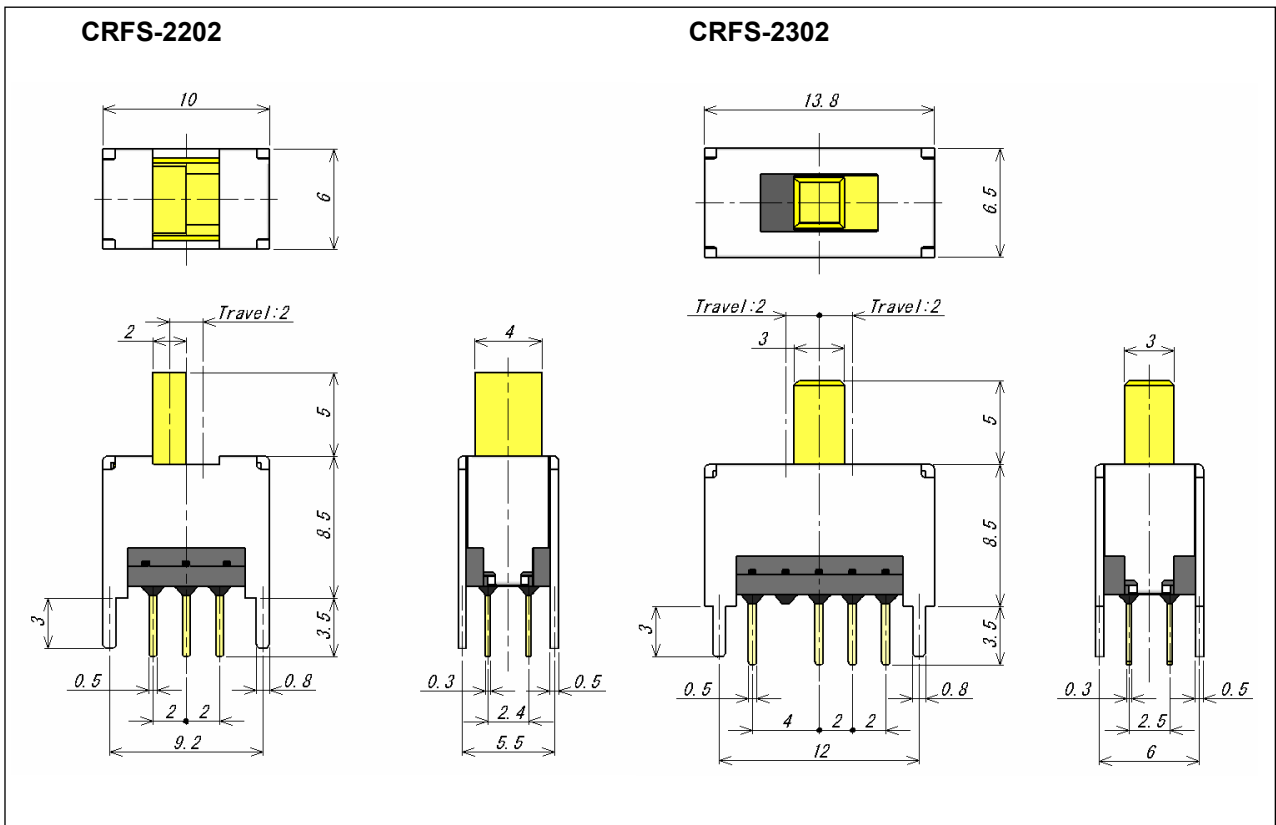
| No. | Part name | Material | Flammability |
|-----|-----------------|----------------------------|--------------|
| 1 | Cover | SPCC, Tin-plated | - |
| 2 | Slider | PA (Polyamide) | UL-94V-0 |
| 3 | Slider plate | Polyester | - |
| 4 | Click spring | SWP | - |
| 5 | Ball | Stainless steel(SUS) | - |
| 6 | Slider contact | Copper alloy, Gold-plated | - |
| 7 | Fixed contact | Copper alloy, Gold-plated | - |
| 8 | Housing | PPS(Polyphenylenesulphide) | UL-94V-0 |
| 9 | Terminal pin | Copper alloy, Gold-plated | - |
| 10 | Ground terminal | SPCC, Tin-plated | - |

■ SPECIFICATIONS

| Item | | Specifications | |
|----------------------------|-----------------------|--------------------------------------|--------------|
| Standard specification | Operating temp. range | -40 ~ ± 85 degrees C | |
| | Storage temp.range | | |
| | Sealing | Non washable | |
| Electrical Characteristics | Contact rating | Non-switching | DC50V 100 mA |
| | | Switching | DC12V 100 mA |
| | Contact resistance | 70 m ohm maximum | |
| | Insulation resistance | 100 M ohm minimum (DC100 V) | |
| | Dielectric strength | AC500 V 60 s | |
| Mechanical Characteristics | Frequency range | DC ~ 1.0 GHz | |
| | Isolation | 26 dB minimum | |
| | Insertion loss | 0.23 dB maximum | |
| | VSWR | 1.3 maximum | |
| Mechanical Characteristics | No. of positions | 2, 3 | |
| | Stroke | 2 mm | |
| | Operating force | 2.5 ± 1.5 N {0.255 ± 0.153 kgf} | |
| | Durability | 10,000 cycles | |
| | Soldering heat | Flow : 260 ± 3 degrees C 5 ~ 6 twice | |
| Form of packaging | Tray packaging | 50 pcs / tray | |
| | Bulk in plastic bag | 50 pcs / pack | |

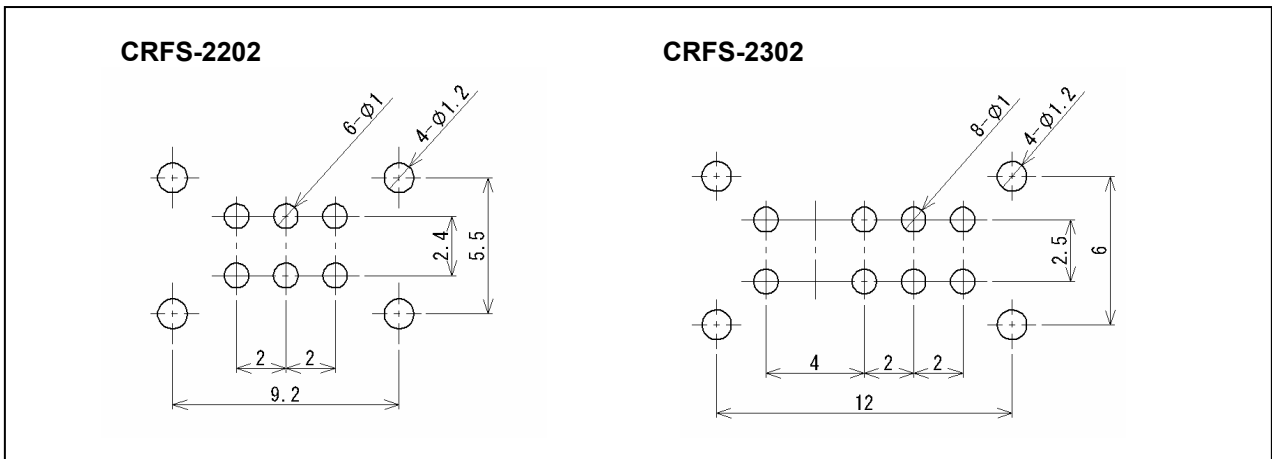
■ **OUTLINE DIMENSIONS**

Unit : mm



■ **RECOMMENDED P.C.B. PAD OUTLINE DIMENSIONS**

Unit : mm



Specifications are subject to change without notice.