

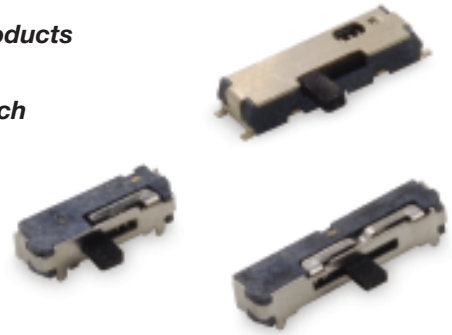
# JSM Series Sub-Miniature Slide Switches

## Features/Benefits

- RoHS compliant and meets all requirements of RoHS directive 2002/95EC
- Positive detent
- Low profile
- IR reflow to 260° solder profile
- Surface and thru hole mounting
- Maintained and momentary functions
- SPDT, SP3T models

## Typical Applications

- Telecommunication products
- Computer peripherals
- Thermostat select switch
- Instrumentations



## Specifications

CONTACT RATING: 4 VDC @ 0.3A  
 ELECTRICAL LIFE: 10,000 make-and-break cycles at full load.  
 CONTACT RESISTANCE: 70 m Ω max.  
 INSULATION RESISTANCE: 100 M Ω min. @ 500V.  
 DIELECTRIC STRENGTH: 100 VAC min. @ sea level.  
 OPERATING TEMPERATURE: -10°C to +60°C  
 STORAGE TEMPERATURE: -30°C to +85°C

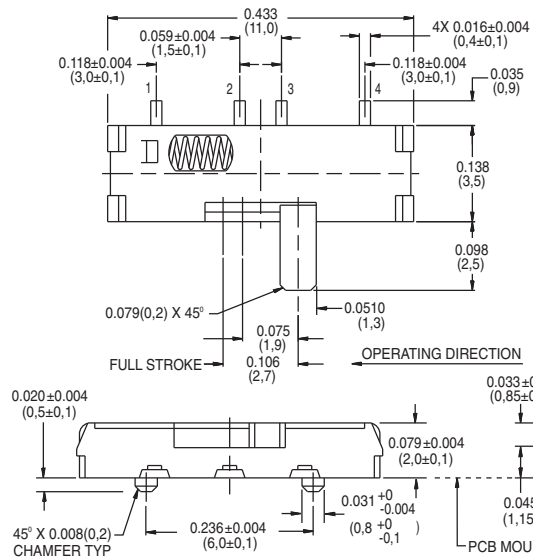
**NOTE:** Specifications and materials listed above are for switches with standard options.  
 For information on specific and custom switches, consult Customer Service Center.

## Materials

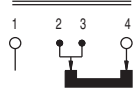
HOUSING: LCP, Glass filled  
 ACTUATOR: 4/6 nylon (UL94V-2), black.  
 CONTACTS: Beryllium copper, silver plated.  
 TERMINALS: Brass, silver plated.  
 COVER: Stainless steel  
 RETURN SPRING: Stainless steel



Slide

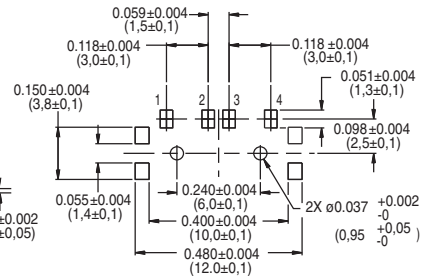


### SCHEMATIC (1P2T)

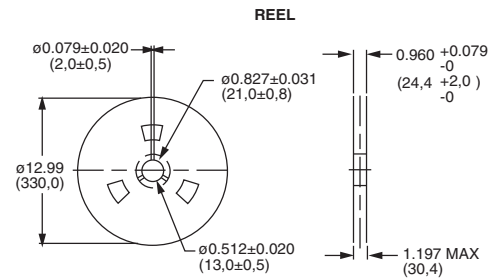


Shown in position 4

### RECOMMENDED PC BOARD LAY OUT SCALE 5:1



JSM08022SAQNR  
 SPDT Surface Mount  
 Momentary one side



### COVER TAPE



PACKAGING QUANTITY:  
 1,800 PCS/REEL

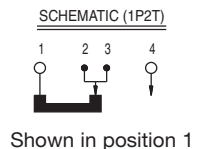
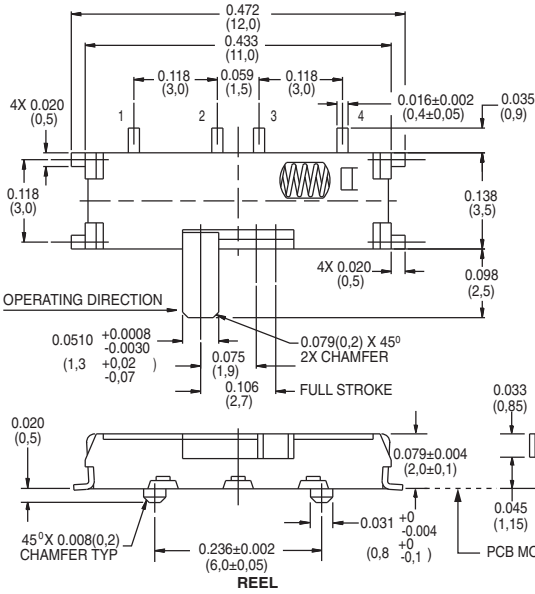


Dimensions are shown: Inches (mm)  
 Specifications and dimensions subject to change

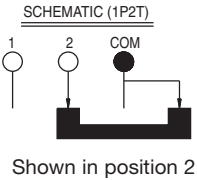
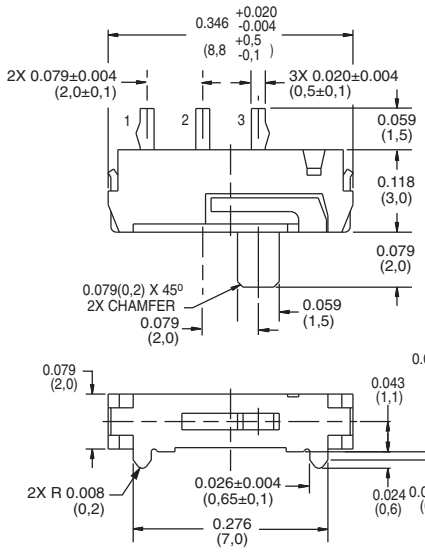
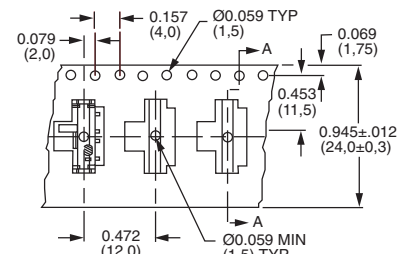
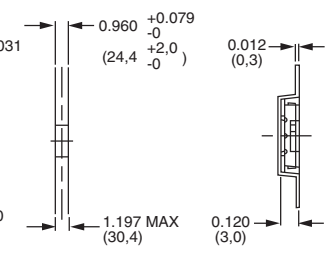
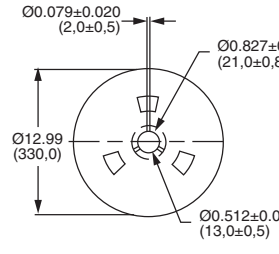
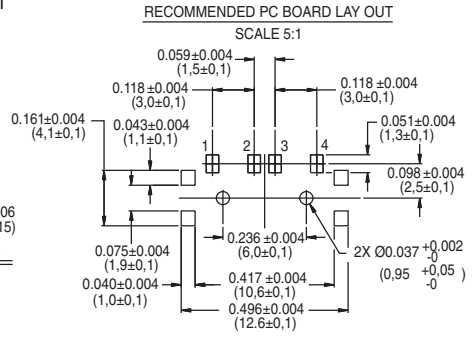


# JSM Series Sub-Miniature Slide Switches

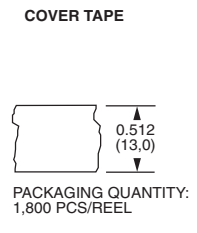
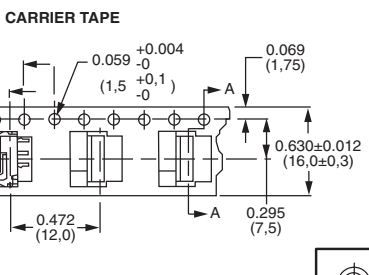
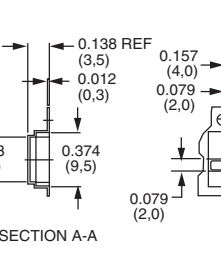
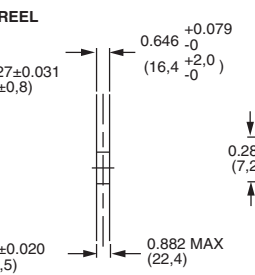
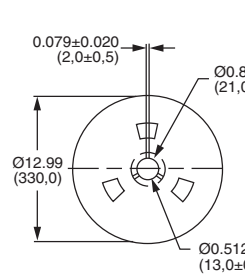
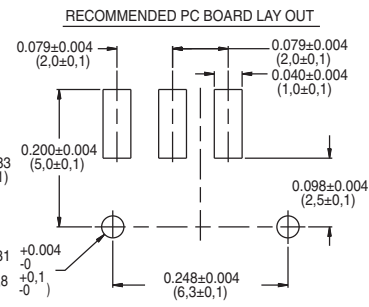
Slide



**JSM08022SAQNL**  
SPDT Surface Mount  
Momentary only



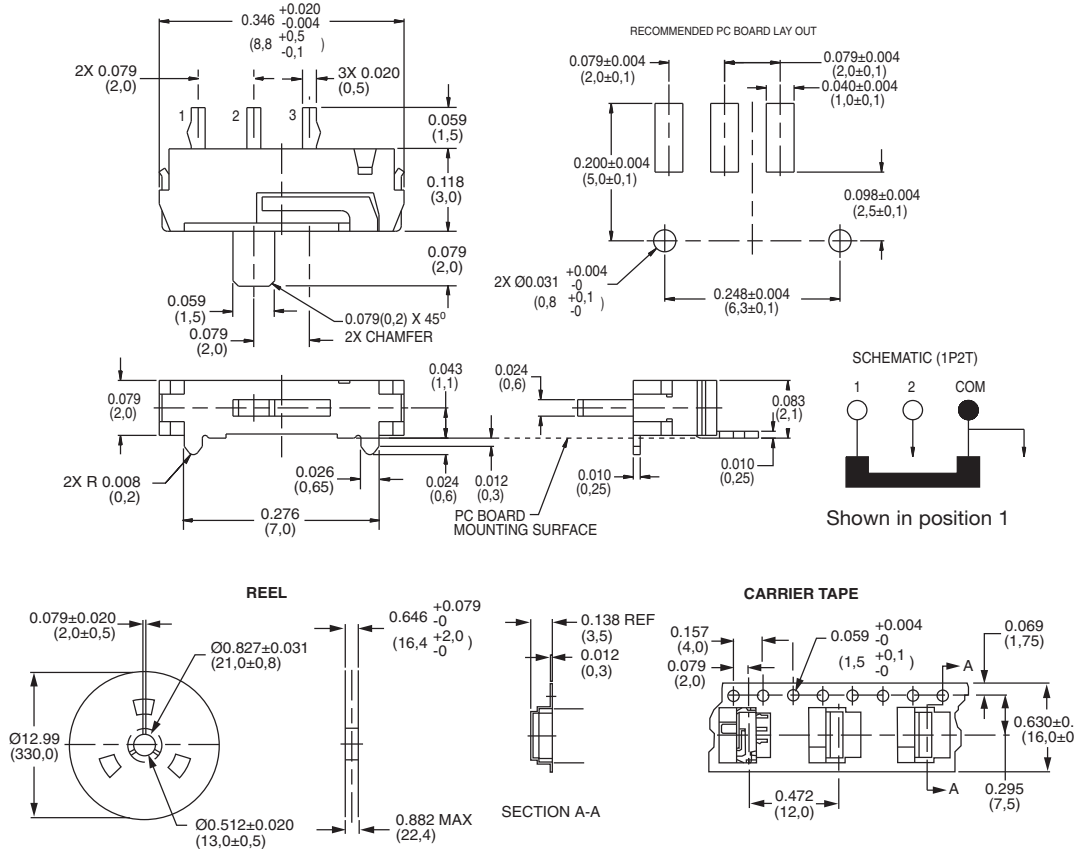
**JSM08011SAQNR**  
SPDT Surface Mount  
Momentary only



Dimensions are shown: Inch (mm)  
Specifications and dimensions subject to change

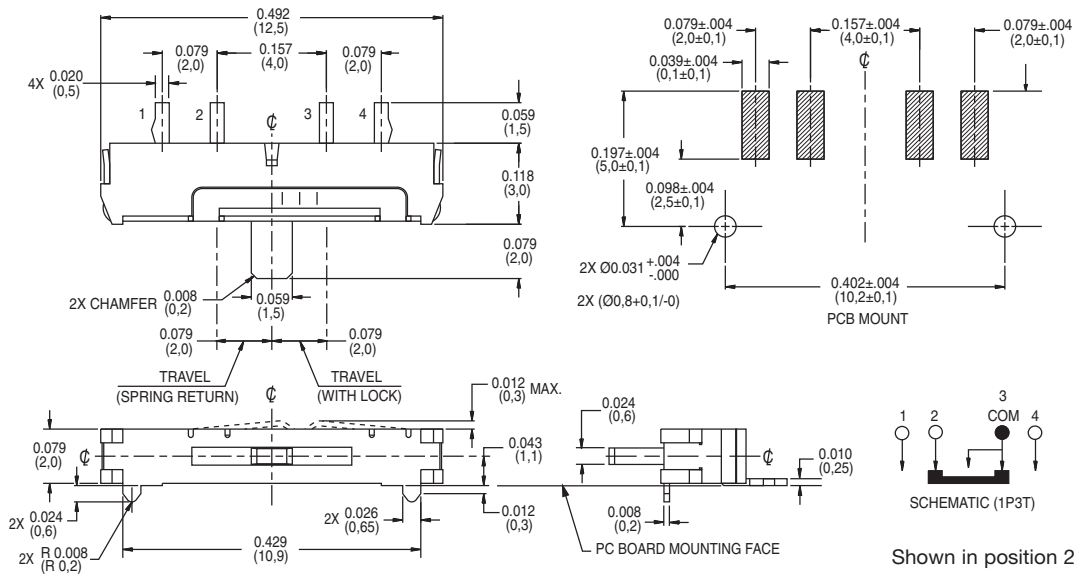


# JSM Series Sub-Miniature Slide Switches



JSM08011SAQNL  
SP2T Surface Mount  
Momentary only

Slide



JSM07011SAQNR  
SP3T Surface Mount  
Momentary one side & Maintained the other



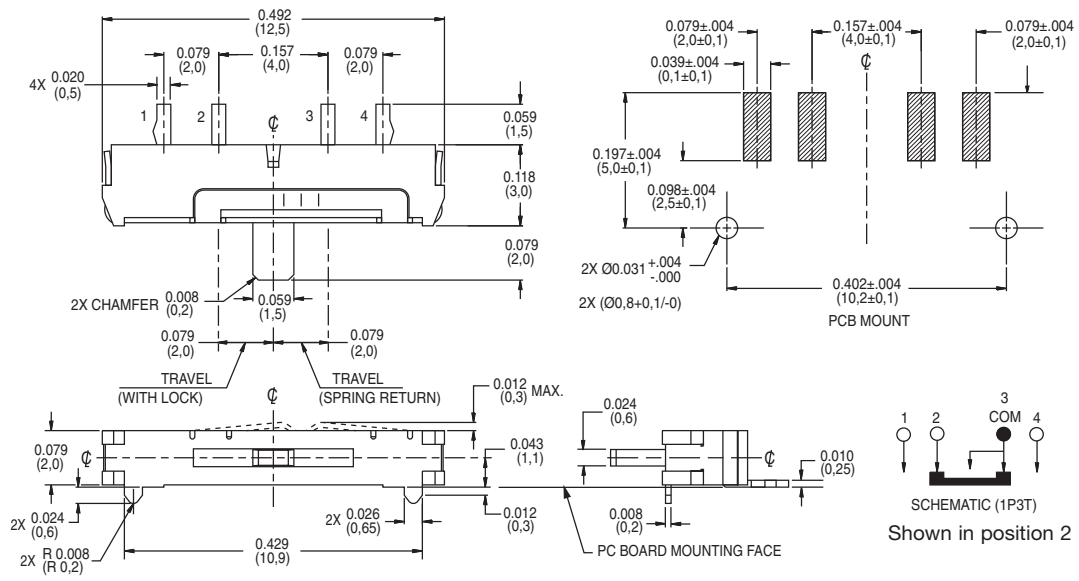
Dimensions are shown: Inches (mm)  
Specifications and dimensions subject to change

# JSM Series Sub-Miniature Slide Switches

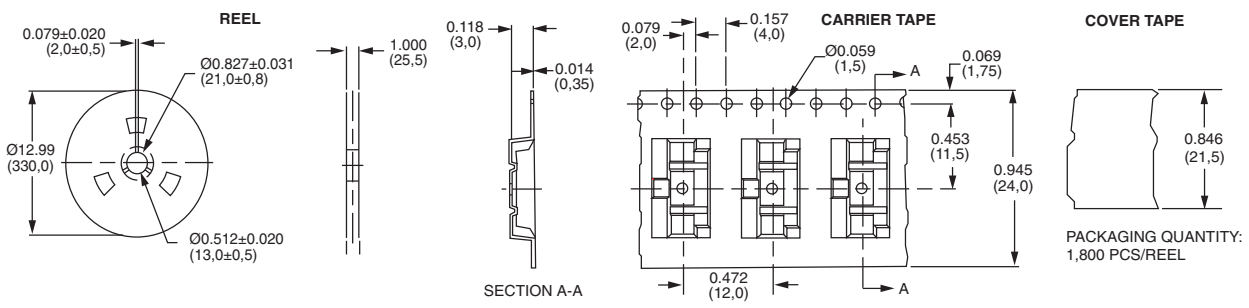
Slide



**JSM07011SAQNL**  
SP3T Surface Mount  
Momentary one side  
& Maintained the other

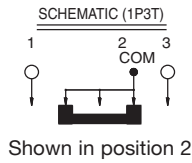
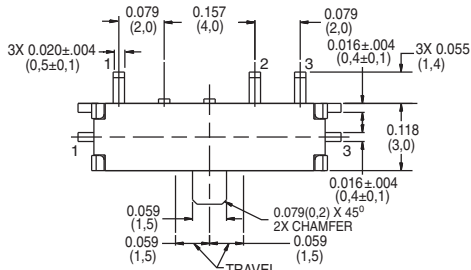


Packaging for JSM07011SAQNR and JSM07011SAQNL

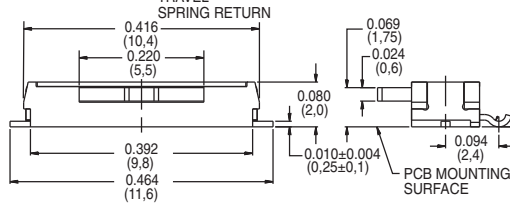


Dimensions are shown: Inch (mm)  
Specifications and dimensions subject to change

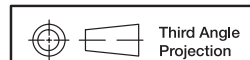
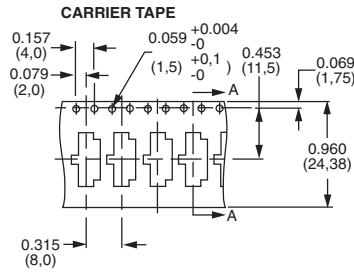
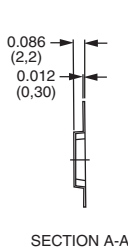
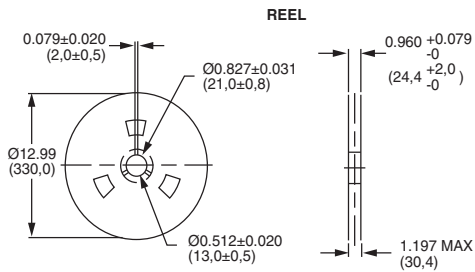
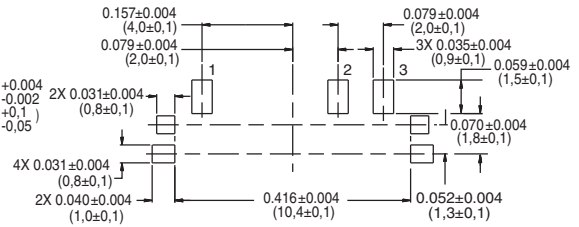
# JSM Series Sub-Miniature Slide Switches



JSM05000SAQN  
SP3T Surface Mount  
Momentary both  
sides



RECOMMENDED PC BOARD LAY OUT  
SCALE 5:1



Dimensions are shown: Inches (mm)  
Specifications and dimensions subject to change

