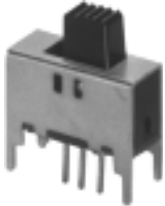



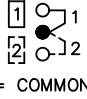
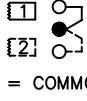
# MSS Series

## Standard Size Slide Switches

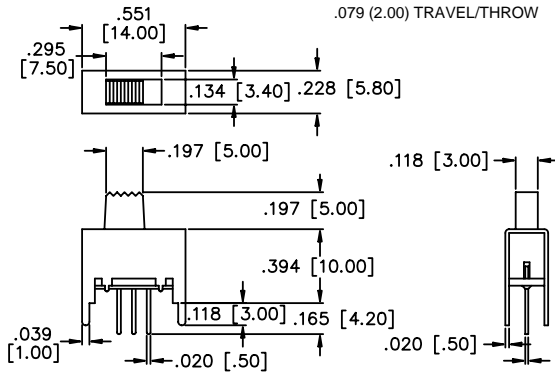
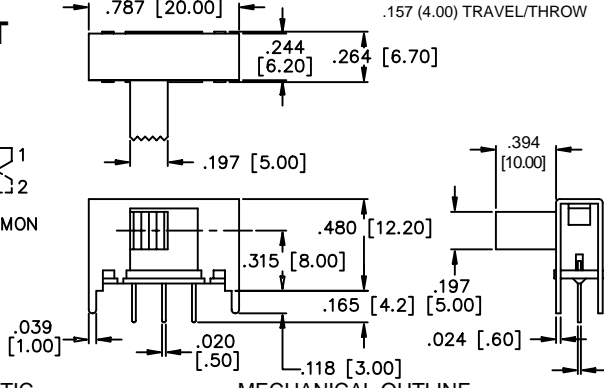
SPECIFICATIONS	FEATURES
<p><b>Contact ratings:</b> Gold; 0.4 Volt-Amps (VA) max. at 20 V max. (AC or DC) Silver; 300 mA at 125 VAC or 30 VDC</p> <p><b>Initial contact resistance:</b> 20 milliohms max.</p> <p><b>Insulation resistance:</b> 100 megohms min. at 500 VDC</p> <p><b>Dielectric strength:</b> 500 volts RMS at sea level</p> <p><b>Electrical life:</b> 10,000 cycles min.</p> <p><b>Operating temperature range:</b> -10°C to +60°C</p> <p><b>Solder heat resistance:</b> 260°C max. for 3 seconds</p> <p><b>Solvent washing permissible</b></p>	<ul style="list-style-type: none"> <li>● <b>Bifurcated wiping contact design.</b></li> <li>● <b>Epoxy sealed terminals.</b></li> <li>● <b>Wash-through open frame construction.</b></li> <li>● <b>Reinforcing mounting legs.</b></li> </ul>
	MATERIALS
	<p><b>Contacts &amp; terminals:</b> Gold or silver available (see contact ratings)</p> <p><b>Housing:</b> Tin/lead plated steel      <b>Actuator:</b> Thermoplastic</p> <p><b>Base:</b> Phenolic laminated sheet      <b>Terminal seal:</b> Epoxy</p>

MODEL NO.	PLATING	
<b>MSS12A</b>	SILVER	<div style="text-align: center;">  <p>VERTICAL ACTUATOR</p> </div>
<b>MSS12AG</b>	GOLD	
<b>MSS12AR</b>	SILVER	<div style="text-align: center;">  <p>RIGHT ANGLE ACTUATOR</p> </div>

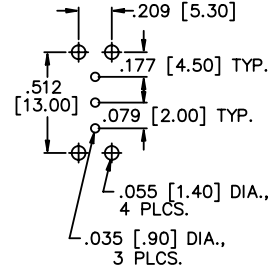
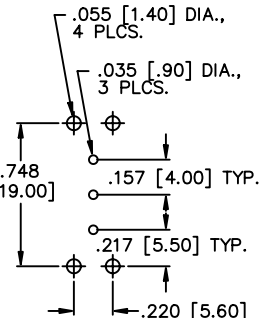
  

MODEL NO.	PLATING	
<b>MSS12A</b>	SILVER	<div style="text-align: center;">  <p>● = COMMON</p> </div>
<b>MSS12AG</b>	GOLD	
<b>MSS12AR</b>	SILVER	<div style="text-align: center;">  <p>● = COMMON</p> </div>

MODEL NO.	PLATING	
<b>MSS12A</b>	SILVER	<div style="text-align: center;">  <p>MECHANICAL OUTLINE</p> </div>
<b>MSS12AG</b>	GOLD	
<b>MSS12AR</b>	SILVER	<div style="text-align: center;">  <p>MECHANICAL OUTLINE</p> </div>

MODEL NO.	PLATING	
<b>MSS12A</b>	SILVER	<div style="text-align: center;">  <p>P.C. BOARD LAYOUT</p> </div>
<b>MSS12AG</b>	GOLD	
<b>MSS12AR</b>	SILVER	<div style="text-align: center;">  <p>P.C. BOARD LAYOUT</p> </div>

SPECIFICATIONS SUBJECT TO CHANGE WITHOUT NOTICE

# MSS Series

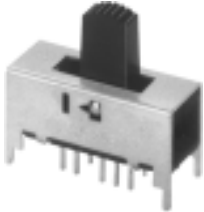
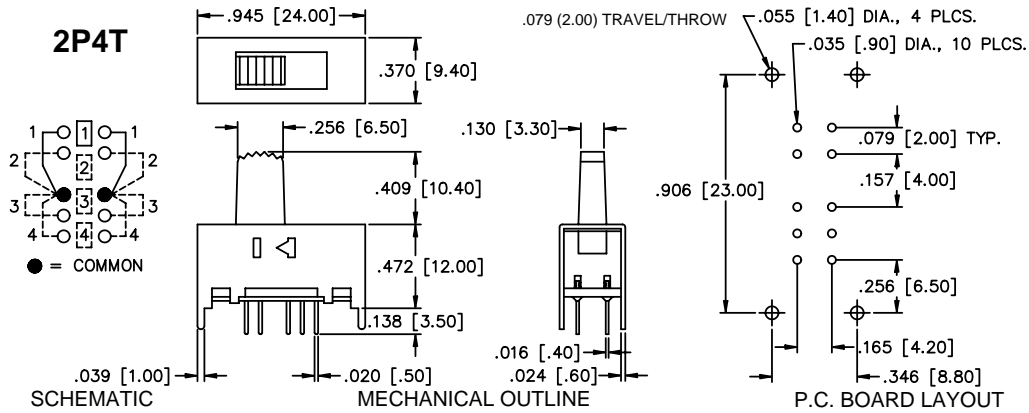

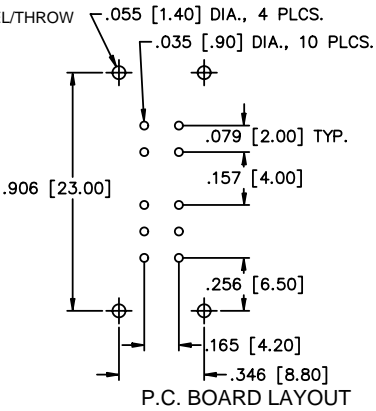

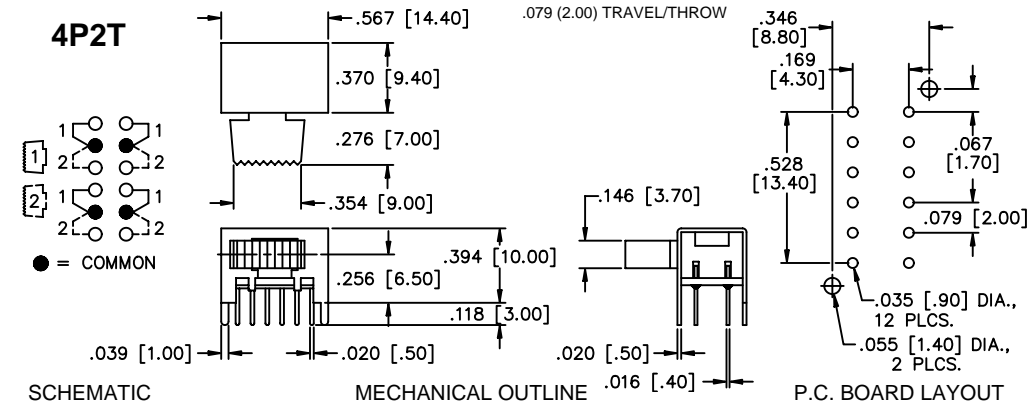

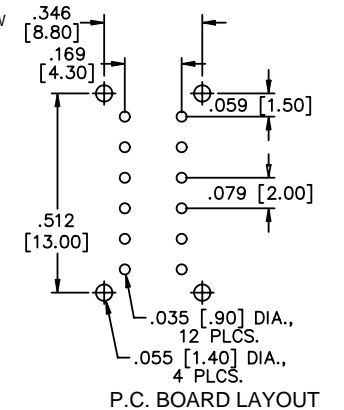

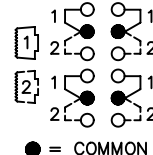
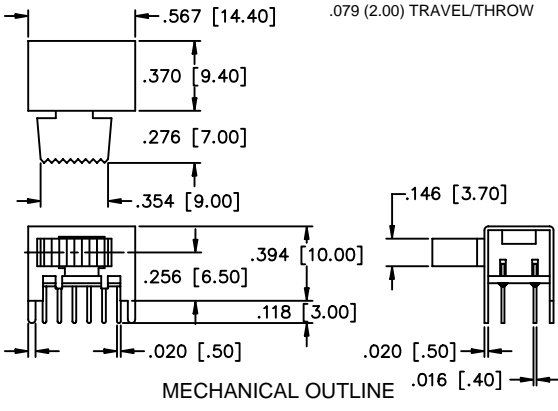
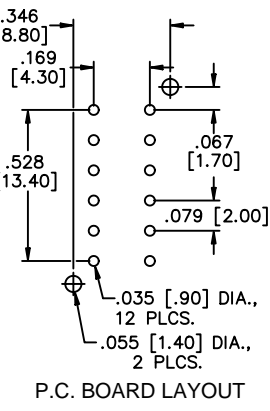

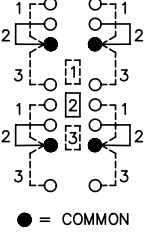
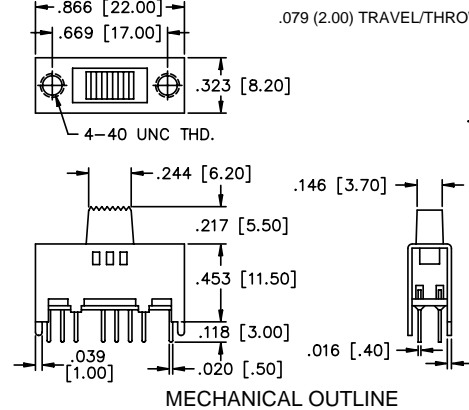
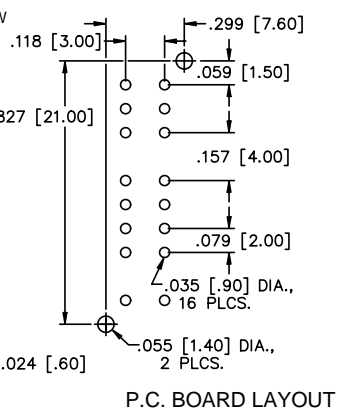
## Standard Size Slide Switches

SPECIFICATIONS SUBJECT TO CHANGE WITHOUT NOTICE

<b>MODEL NO.</b> <b>PLATING</b> <b>MSS14</b> SILVER	<b>1P4T</b>			
	VERTICAL ACTUATOR	<b>SCHMATIC</b>	<b>MECHANICAL OUTLINE</b>	<b>P.C. BOARD LAYOUT</b>
<b>MODEL NO.</b> <b>PLATING</b> <b>MSS22</b> SILVER <b>MSS22G</b> GOLD	<b>2P2T</b>			
	VERTICAL ACTUATOR	<b>SCHMATIC</b>	<b>MECHANICAL OUTLINE</b>	<b>P.C. BOARD LAYOUT</b>
<b>MODEL NO.</b> <b>PLATING</b> <b>MSS225R</b> SILVER <b>MSS225RG</b> GOLD	<b>2P2T</b>			
	RIGHT ANGLE ACTUATOR	<b>SCHMATIC</b>	<b>MECHANICAL OUTLINE</b>	<b>P.C. BOARD LAYOUT</b>
<b>MODEL NO.</b> <b>PLATING</b> <b>MSS23</b> SILVER	<b>2P3T</b>			
	VERTICAL ACTUATOR	<b>SCHMATIC</b>	<b>MECHANICAL OUTLINE</b>	<b>P.C. BOARD LAYOUT</b>

# MSS Series

## Standard Size Slide Switches

MODEL NO.	PLATING	
<b>MSS24AG</b>	GOLD	
		
VERTICAL ACTUATOR		
		<div style="display: flex; justify-content: space-between;"> <div style="width: 30%;"> <p><b>2P4T</b></p>  <p>● = COMMON</p> </div> <div style="width: 30%;">  <p style="text-align: center;">MECHANICAL OUTLINE</p> </div> <div style="width: 30%;">  <p style="text-align: center;">P.C. BOARD LAYOUT</p> </div> </div>
<b>MSS42</b>	SILVER	
<b>MSS42G</b>	GOLD	
		
VERTICAL ACTUATOR		
		<div style="display: flex; justify-content: space-between;"> <div style="width: 30%;"> <p><b>4P2T</b></p>  <p>● = COMMON</p> </div> <div style="width: 30%;">  <p style="text-align: center;">MECHANICAL OUTLINE</p> </div> <div style="width: 30%;">  <p style="text-align: center;">P.C. BOARD LAYOUT</p> </div> </div>
<b>MSS42R</b>	SILVER	
<b>MSS42RG</b>	GOLD	
		
RIGHT ANGLE ACTUATOR		
		<div style="display: flex; justify-content: space-between;"> <div style="width: 30%;"> <p><b>4P2T</b></p>  <p>● = COMMON</p> </div> <div style="width: 30%;">  <p style="text-align: center;">MECHANICAL OUTLINE</p> </div> <div style="width: 30%;">  <p style="text-align: center;">P.C. BOARD LAYOUT</p> </div> </div>
<b>MSS43</b>	SILVER	
		
VERTICAL ACTUATOR		
		<div style="display: flex; justify-content: space-between;"> <div style="width: 30%;"> <p><b>4P3T</b></p>  <p>● = COMMON</p> </div> <div style="width: 30%;">  <p style="text-align: center;">MECHANICAL OUTLINE</p> </div> <div style="width: 30%;">  <p style="text-align: center;">P.C. BOARD LAYOUT</p> </div> </div>

SPECIFICATIONS SUBJECT TO CHANGE WITHOUT NOTICE