

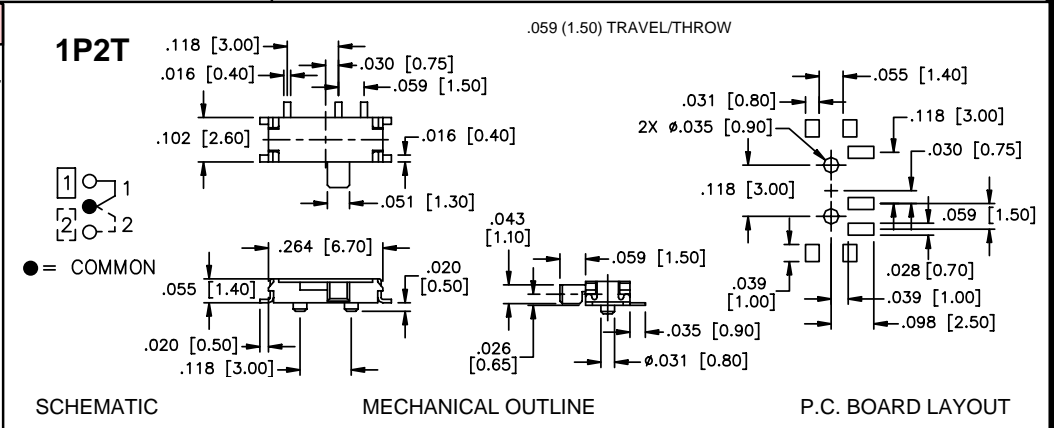
MA Series

Microminiature Memory Card Slide Switches

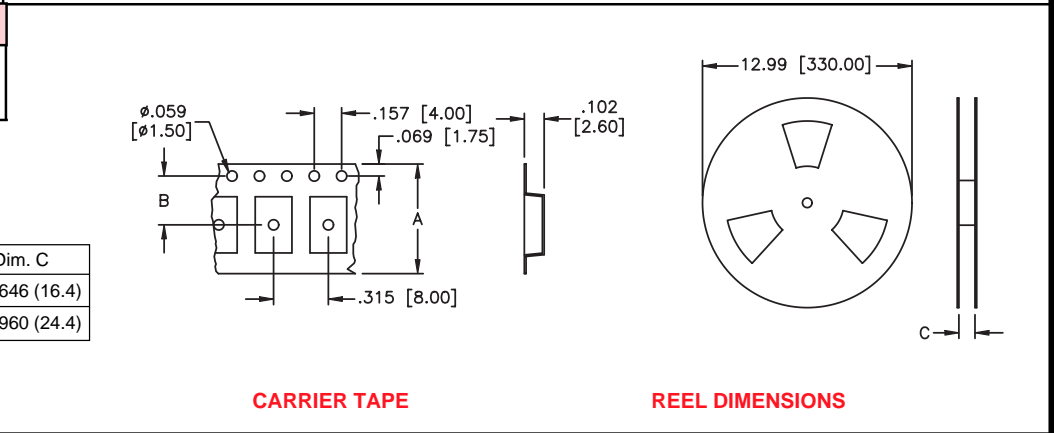
SPECIFICATIONS	FEATURES
<p>Contact rating: 300 mA at 4 VDC</p> <p>Initial contact resistance: 70 milliohms max.</p> <p>Insulation resistance: 100 megohms min. at 100 VDC</p> <p>Dielectric strength: 100 VAC for 1 minute</p> <p>Electrical life: 10,000 cycles min.</p> <p>Operating temperature range: -10°C to +60°C</p> <p>Actuation force: 200g ± 100g</p> <p>Solder heat resistance: Reflow - 260°C max. for 1 min. Manual - iron temperature 305 °C max. for 6 seconds.</p> <p>Washing not recommended</p>	<ul style="list-style-type: none"> ● Ultra-compact size. ● Low Profile. ● Surface mounting with restraining bosses. ● Reflow or hand solderable.
MATERIALS	
<p>Contacts: Silver plated beryllium copper</p> <p>Terminals: Silver plated brass</p> <p>Base: Liquid crystal polymer Cover: Tin plated steel</p> <p>Actuator: Liquid crystal polymer</p>	

MODEL NO.
MA12R

RIGHT ANGLE ACTUATOR



MODEL NO.												
MA12R/TR												
MA13R/TR												
Same as above models except supplied on tape & reel as shown.												
<table border="1" style="width: 100%; border-collapse: collapse; text-align: center;"> <thead> <tr> <th>Model No.</th> <th>Dim. A</th> <th>Dim. B</th> <th>Dim. C</th> </tr> </thead> <tbody> <tr> <td>MA12R/TR</td> <td>.630 (16.0)</td> <td>.217 (5.5)</td> <td>.646 (16.4)</td> </tr> <tr> <td>MA13R/TR</td> <td>.945 (24.0)</td> <td>.453 (11.5)</td> <td>.960 (24.4)</td> </tr> </tbody> </table>	Model No.	Dim. A	Dim. B	Dim. C	MA12R/TR	.630 (16.0)	.217 (5.5)	.646 (16.4)	MA13R/TR	.945 (24.0)	.453 (11.5)	.960 (24.4)
Model No.	Dim. A	Dim. B	Dim. C									
MA12R/TR	.630 (16.0)	.217 (5.5)	.646 (16.4)									
MA13R/TR	.945 (24.0)	.453 (11.5)	.960 (24.4)									



SPECIFICATIONS SUBJECT TO CHANGE WITHOUT NOTICE