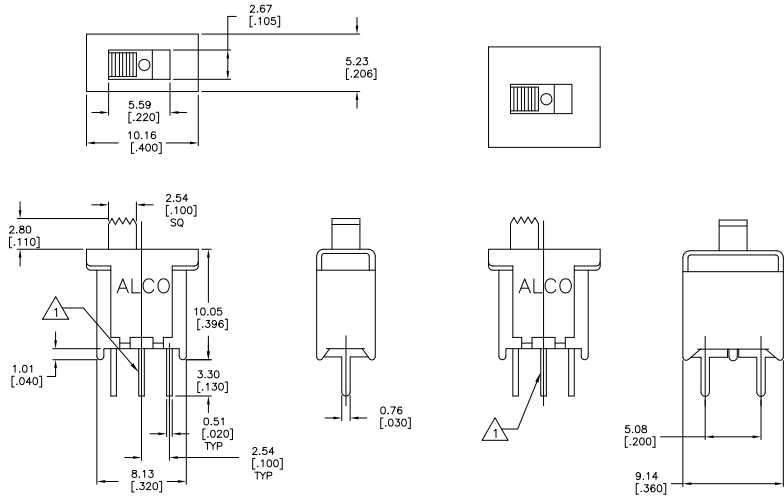


THIS DRAWING IS UNPUBLISHED. RELEASED FOR PUBLICATION. ALL RIGHTS RESERVED.

LOC	DIST	REVISIONS		
F	LNK	DESCRIPTION	DATE	BY
B1		REVISED PER ECO-11-004820	11MAR11	RK HMR

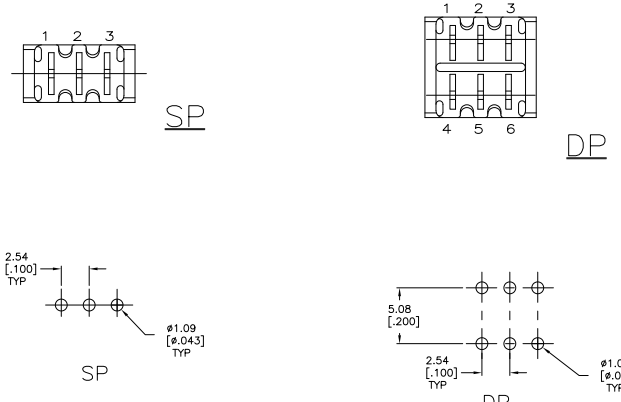


**MATERIALS:**  
CASE: LCP, 94V-0.  
ACTUATOR: PBT, 94V-0.  
MOVING CONTACT: COPPER, GOLD PLATE OVER NICKEL.  
FIXED CONTACT/TERMINAL: COPPER, GOLD PLATE OVER NICKEL.

**ELECTRICAL:**  
CONTACT RATING: 0.4 VA MAX. @ 20 VDC OR PEAK AC.  
INITIAL CONTACT RESISTANCE: 20 MILLIOHMS MAX. 100 MV & 1 MA. MIN. AT 500 VDC.  
INSULATION RESISTANCE: 1,000 M  
DIELECTRIC STRENGTH: 1000 VOLTS RMS AT SEA LEVEL.  
LIFE: 60,000 - 80,000 CYCLES.

**MECHANICAL:**  
ACTUATION FORCE: 150-600 GRAMS

**ENVIRONMENTAL:**  
OPERATING TEMPERATURE: -4°F TO + 176°F (-20°C TO +80°C)  
STORAGE TEMPERATURE: -4°F TO + 176°F (-20°C TO +80°C)  
SOLDER HEAT RESISTANCE PER EIA-364-56A, PROCEDURE 3, COND. B  
SOLDERABILITY PER EID 364-52, CLASS 2 CATEGORY 1



P/N	Alco P/N	Actuator Flush/Extended	Position	Type	ALCO 1 2 3 4 5 6	ALCO 1 2 3 4 5 6	ALCO 1 2 3 4 5 6
1571982-1	TSS11DGPC04	Extended	2	SPDT	1,2	None	2,3
1571982-2	TSS11DG1PC04	Flush	2	SPDT	1,2	None	2,3
1571982-3	TSS11EG1PC04	Flush	3	SPDT	1,2	Off	2,3
1571982-4	TSS11EGPC04	Extended	3	SPDT	1,2	Off	2,3
1571982-5	TSS21KGPC04	Extended	2	DPDT	1-3, 4-6	None	Off
1571982-6	TSS21NG1PC04	Flush	2	DPDT	1-2, 4-5	None	2-3, 5-6
1571982-7	TSS21NGPC04	Extended	2	DPDT	1-2, 4-5	None	2-3, 5-6
1571982-8	TSS21PG1PC04	Flush	3	DPDT	1-2, 4-5	Off	2-3, 5-6
1571982-9	TSS21PGPC04	Extended	3	DPDT	1-2, 4-5	Off	2-3, 5-6

THIS DRAWING IS A CONTROLLED DOCUMENT. 20FEB2004

TE Connectivity

SLIDE SWITCH  
TSS11 AND TSS21 SERIES

TE Connectivity

SIZE: A2 CASE CODE: 00779 DRAWING NO: 1571982

CUSTOMER DRAWING SCALE: 1:1 SHEET: 1 of 1 REV: B1