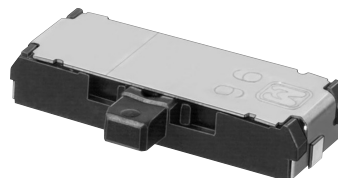


3HMS (3H Multi Slide Switches)

Japan

Type: **ESE157**



Multiple features activated by one-touch operation

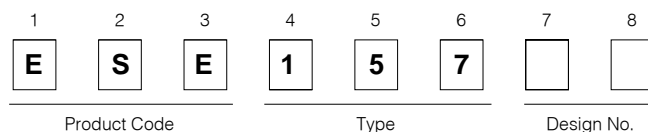
■ Features

- This is the multi-functional switch that combines the self-returning switch and push-on switch.
- This switch realizes high-densitive mountability for devices.
- Easy operation by thumb is available for various portable equipment.

■ Recommended Applications

- Mobile Communications Equipment (menu-scroll and enter functions)
- Portable Visual Equipment (volume and tone control for remote control)

■ Explanation of Part Numbers



■ Major Specifications

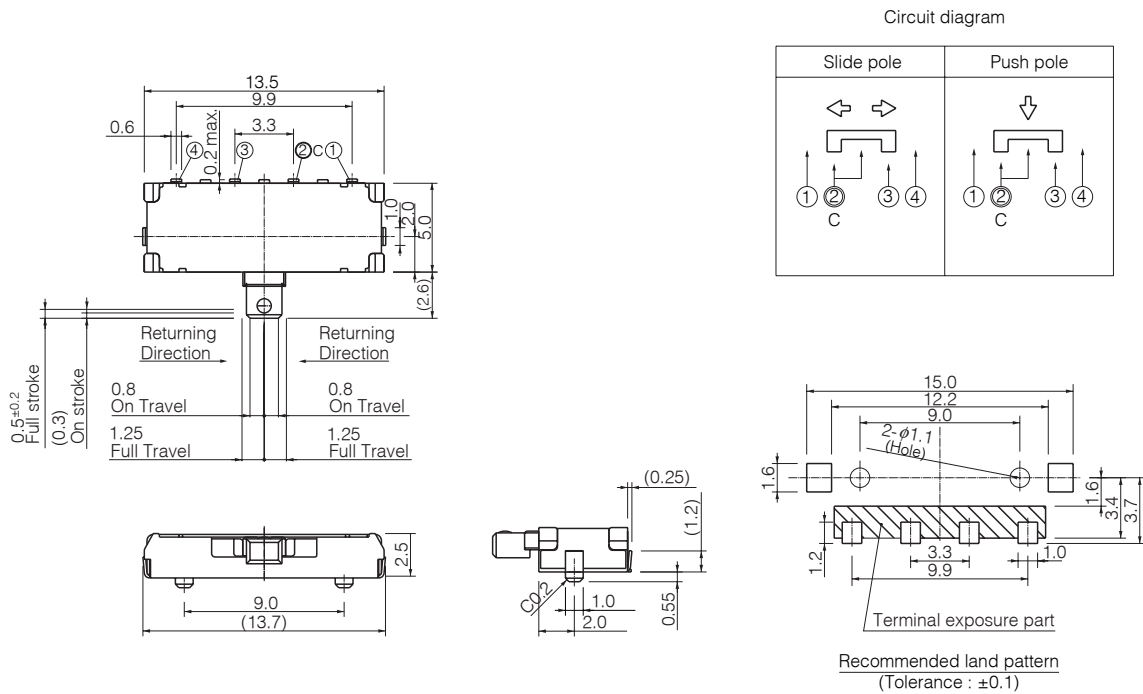
Electrical	Rating		50 μ A 3 Vdc to 1 mA 10 Vdc
	Contact Resistance		1 Ω max.
	Insulation Resistance		100 Vdc 100 M Ω min.
	Dielectric Withstanding Voltage		1 minute at 100 Vac
	Bouncing		10 ms max.
Circuit Diagram	Slide Mode		1-pole 2-throws (Center off)
	Push Mode		1-pole 1-throw (Center normal open)
Mechanical	Travel	Slide Mode	1.25 mm
		Push Mode	0.5 mm
	Operating Force	Slide Mode	0.8 N \pm 0.4 N
		Push Mode	1.6 N \pm 0.8 N
	Operating Life	Slide Mode	50000 cycles min.
Push Mode		50000 cycles min.	
Temperature Range		-20 $^{\circ}$ C to +70 $^{\circ}$ C	
Minimum Quantity/Packing Unit			1400 pcs. (Reel Pack)
Quantity/Carton			2800 pcs.

■ Dimensions in mm (not to scale)

ESE157

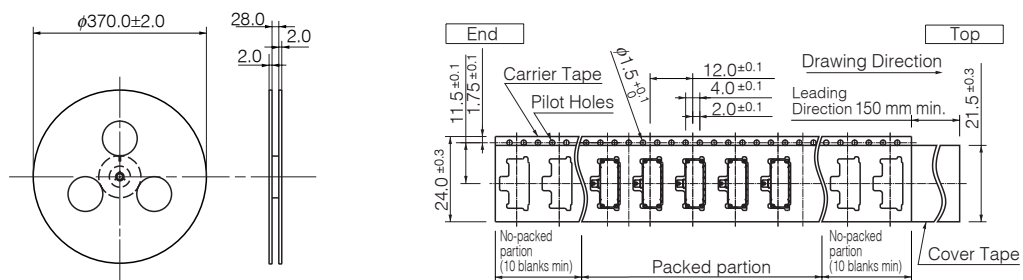
1-pole 2-throws (Center off)

1-pole 1-throw (Center normal open)



■ Packaging Specifications

Standard Reel Dimensions in mm (not to scale)



Design, Specifications are subject to change without notice. Ask factory for technical specifications before purchase and/or use. Whenever a doubt about safety arises from this product, please inform us immediately for technical consultation without fail.