

4

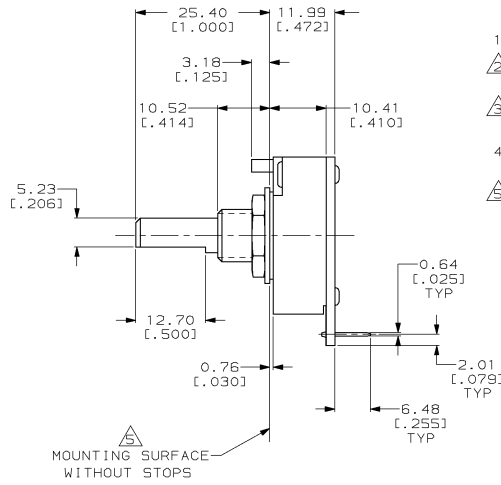
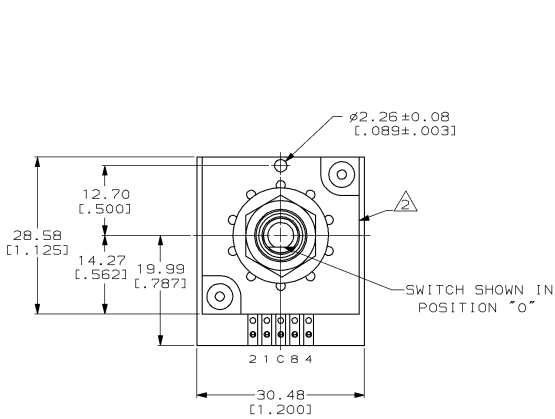
3

2

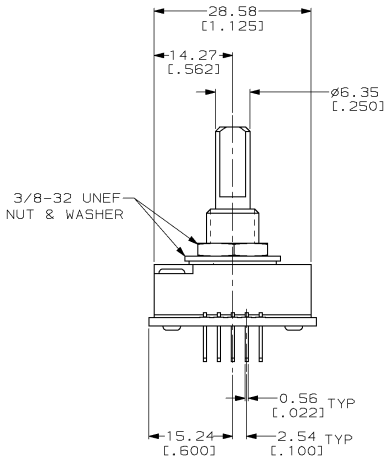
1

THIS DRAWING IS UNPUBLISHED.  
 RELEASED FOR PUBLICATION  
 BY AMP INCORPORATED. ALL RIGHTS RESERVED.

LOC	QTY	REVISIONS					
FT	69	F	LR	DESCRIPTION	DATE	BY	APP
		H		REDWN ON CAD PER EC 0320-285-97	11-28-95	AH	MH



- SWITCH HOUSING IS MADE OF BLACK POLYESTER.
- AMP, AMP PART NO., AND DATE CODE TO BE STAMPED WHITE ON THIS SURFACE.
- FOR ADDITIONAL SWITCH SPECIFICATIONS SEE AMP PRODUCT SPEC 108-7518.
- SWITCH POSITIONS INCREASE WHEN ROTATED IN A CLOCKWISE DIRECTION.
- TWO 0.51 [0.020] THICK STOPS 435889-1 (NOT SHOWN) ARE INSTALLED BETWEEN WASHER AND HOUSING IN A NON-FUNCTIONAL POSITION. WHEN LIMITED ROTATION OF SWITCH IS DESIRED THE TOP SURFACE OF THE TOP STOP BECOMES THE MOUNTING SURFACE, THIS ALTERS DIMENSIONS FROM MOUNTING SURFACE.



COMMON CONNECTED TO	DIAL NUMBERS									
	0	1	2	3	4	5	6	7	8	9
1		•	•	•	•	•	•	•	•	•
2			•	•	•	•	•	•	•	•
4				•	•	•	•	•	•	•
8									•	•

BCD

435984-7  
PART NO

THIS DRAWING IS UNPUBLISHED. RELEASED FOR PUBLICATION BY AMP INCORPORATED. ALL RIGHTS RESERVED.		DWG: A. HOLT 11-28-95 CHK: R. TALLEY 11-28-95 APP: M. HUDDLESTON 11-28-95	<b>AMP</b> AMP Incorporated Harrisburg, PA 17105-3608
DIMENSIONS: mm (INCHES) 0 PLC ±.1 1 PLC ±.1 2 PLC ±.1 3 PLC ±.1 4 PLC ±.1 5 PLC ±.1 6 PLC ±.1 7 PLC ±.1 8 PLC ±.1 9 PLC ±.1 ANGLES ±.1	DIMENSIONS SPECIFIED: ±.1 ±.05 (0.10) ±.1 ±.1 ±.1	NAME: SWITCH ASSEMBLY, 10 POSITION, 36° THROW, 3100 SERIES SIZE: A2 CASE CODE: 00779 DRAWING NO: 435984-7	SCALE: 2:1 SHEET: 1 OF 1 REV: H
MATERIAL: -		CUSTOMER DRAWING	

AMP 1471-9 REV 02/04/94

435984-7

B

A