

D5 - SERIES

SPECIFICATIONS AND ORDERING INFORMATION

1.437" DIAMETER 1.5 AMPS @ 28 VDC

The D5 Series switch is an economical single section switch utilizing glass epoxy insulation, staked construction, and printed circuit board or solder lug terminals. The formed spring index uses a small face plate area with detenting available up to 12 positions.



SPECIFICATIONS

ELECTRICAL

Current and Voltage Rating: Make and break resistive load 1.5 amps @ 28 VDC; 0.5 amp @ 115 VAC.
Current Carrying Capacity: 9 amps.
Dielectric Strength: 1,500 VAC between current carrying parts and ground.
Contact Resistance: Average initial 3.5 milliohms.
Insulation Resistance: In excess of 750,000 megohms.

Hardware: Mounting nut and lockwasher are shipped assembled.

MECHANICAL

Materials and Finishes: All parts utilize non-corrosive materials as standard.
Clips and Rotors: Brass with silver plate as standard.
Insulation: Glass epoxy.
Index: Formed spring, hill and valley design.
Index Life: 25,000 cycles minimum.
Index Torque: Switches have lowest practical torque consistent with crisp detenting and smooth, reliable operation.
Index Angles: Positive 30° standard.
Index Stops: Fixed or continuous.
Stop Strength: 25 in. lbs. minimum.

STANDARD PART NUMBER

SOLDER LUG TERMINALS

SWITCHES - 30° INDEXING - FIXED STOPS

ACTIVE POLES	POLES/ POSITIONS	POLES/ SECTION	NO. OF SECTIONS	SHORTING	NON-SHORTING	FIG. *
01	06	1	1	D5G0106S	D5G0106N	DB
01	08	1	1	D5G0108S	D5G0108N	DB
01	10	1	1	D5G0110S	D5G0110N	DB
01	11	1	1	D5G0111S	D5G0111N	DB
02	04	2	1	D5G0204S	D5G0204N	DG
02	05	2	1	D5G0205S	D5G0205N	DG
03	03	3	1	D5G0303S	D5G0303N	DN

PRINTED CIRCUIT BOARD TERMINALS

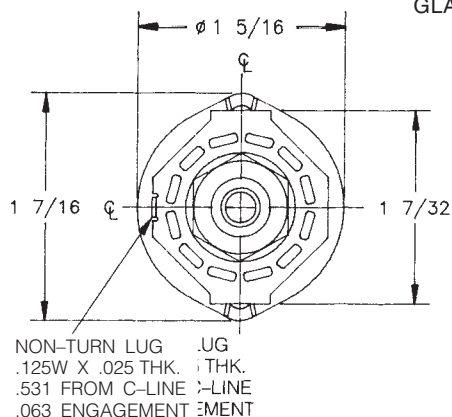
SWITCHES - 30° INDEXING - FIXED STOPS

ACTIVE POLES	POLES/ POSITIONS	POLES/ SECTION	NO. OF SECTIONS	SHORTING	NON-SHORTING	FIG. *
01	06	1	1	D5G0106S - R	D5G0106N - R	DB
01	08	1	1	D5G0108S - R	D5G0108N - R	DB
01	10	1	1	D5G0110S - R	D5G0110N - R	DB
01	11	1	1	D5G0111S - R	D5G0111N - R	DB
02	04	2	1	D5G0204S - R	D5G0204N - R	DG
02	05	2	1	D5G0205S - R	D5G0205N - R	DG
03	03	3	1	D5G0303S - R	D5G0303N - R	DN

* FIGURES ARE SHOWN ON PAGES 55 AND 56.

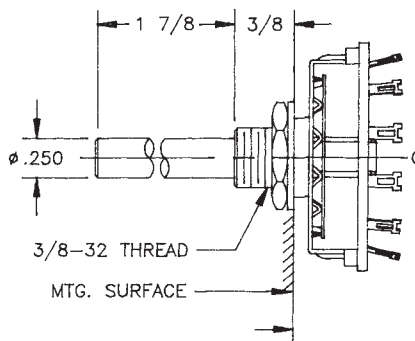
DIMENSIONS

STANDARD CONSTRUCTION



D5G

GLASS EPOXY CONSTRUCTION



How to Order Additional Options:

2 DIGIT SERIES	INSULATION TYPE	TOTAL POLES	ACTIVE POSITIONS	CONTACT TYPE	TERMINAL TYPE	INDEX ANGLE	STOP TYPE	SHAFT/ BUSHING	SHAFT FLAT
D5	G - GLASS	01 - MIN.	12 - MAX @ 30°	S - SHORTING N - NON SHORTING	L - SOLDER LUG R - REAR P.C.		F - FIXED C - CONT.	SEE CHART "A"	SEE CHART "B"

CUSTOMERS SPECIFIED ORDER NUMBER FOR STANDARD OPTIONS					ADDITIONAL OPTIONS				
D	5	G	<input type="text"/>	<input type="text"/>	<input type="checkbox"/>	<input type="checkbox"/>	<input type="checkbox"/>	<input type="checkbox"/>	<input type="checkbox"/>
			(SPECIFY)	(SPECIFY)	(SPECIFY)	(SPECIFY)	(SPECIFY)	(SPECIFY)	(SPECIFY)

SHAFT, BUSHING, AND FLAT OPTIONS

P/N OPT.	SHAFT LGTH. "A"	BUSH. LGTH. "B"
01	3/8	1/4
02	3/8	3/8
03	1/2	1/4
04	1/2	3/8
05	9/16	1/4
06	9/16	3/8
07	3/4	1/4
08	3/4	3/8
09	1	1/4
10	1	3/8
11	1 1/2	1/4
12	1 1/2	3/8
13	1 7/8	1/4
14	1 7/8	3/8

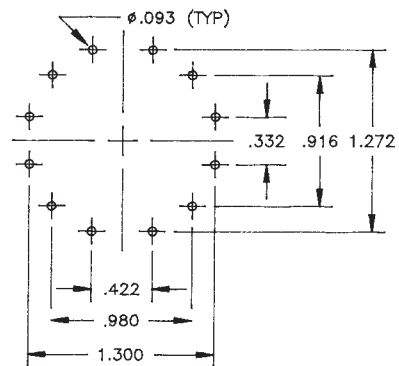
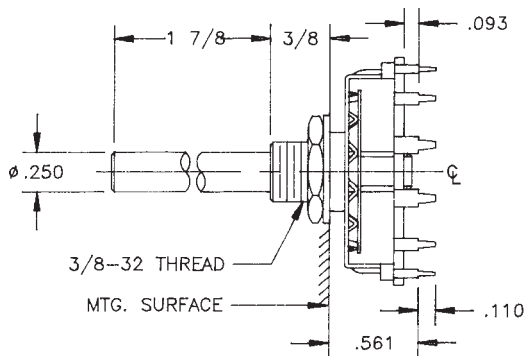
P/N OPT.	FLAT ANGLE	- STD
B	ROUND	
U	15°	
W	165°	
Y	195°	
Z	345°	

SHAFT AS VIEWED WITH NON-TURN LUG AT 9 O'CLOCK AND SHAFT IN EXTREME CCW POSITION AND STRUT BOLTS ORIENTED VERTICALLY.

PRINTED CIRCUIT BOARD OPTIONS

R

P.C. BOARD MOUNTING PATTERN



CUSTOM SWITCHES ARE AVAILABLE. CONTACT THE FACTORY WITH YOUR COMPLETE SPECIFICATIONS.