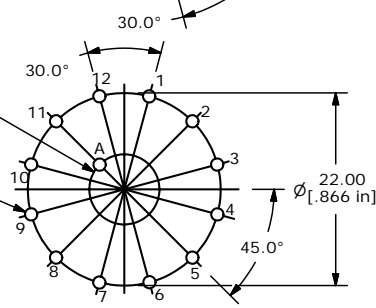
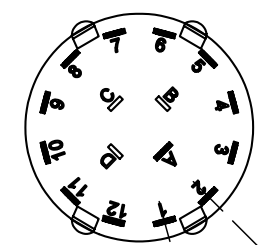
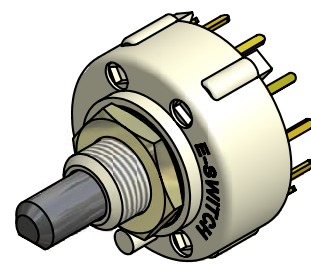
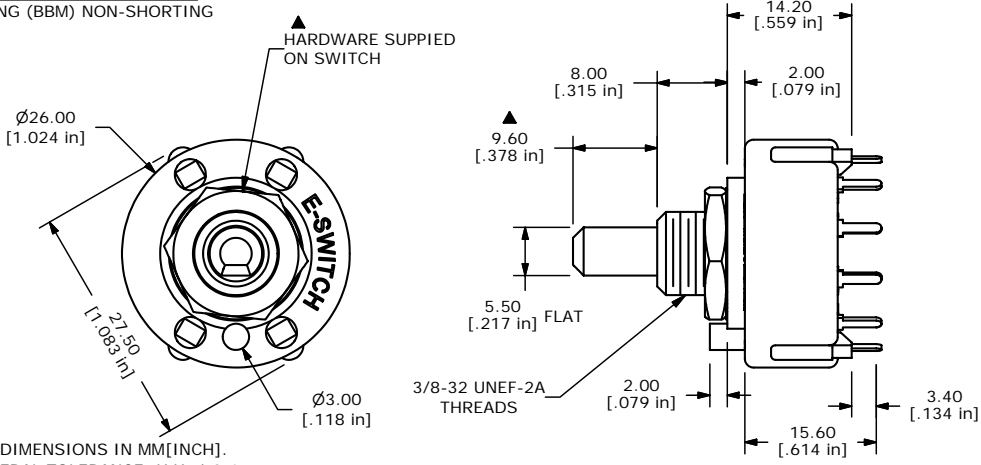




CONTACT CONFIGURATION
TIMING (BBM) NON-SHORTING



P.C.B MOUNTING PLATE



- NOTE:
1. ALL DIMENSIONS IN MM [INCH].
 2. GENERAL TOLERANCE: X.X=±0.4
X.XX=±0.25
 3. TERM. NOS. FOR REFERENCE ONLY.
 - ▲ 4. CONTACT MATERIAL: GOLD
 5. CONTACT RATING: 150MILLIAMPS, 250VAC/DC
350MILLIAMPS, 110VAC/DC
 6. CONTACT RATING (NON-SWITCHING) 5A
 7. OPERATING FORCE 425±100CM/STANDARD
 8. OPERATING TEMP: -30°C TO 85°C
 - ▲ 9. CIRCUIT SP: 12 POSITION 30° INDEX
 10. DIELECTRIC STRENGTH: 1000V RMS MIN. @ SEA LEVEL.
 - ▲ 11. HARDWARE SUPPLIED ON SWITCH:
LOCKWASHER, HEXNUT
 12. ▲ DENOTES CRITICAL PARAMETER.

G	15290	ADDED PCB MOUNING PLATE	9/19/05	PH
F	15276	REVISED NOTE 9	9/14/05	PH
E	14496	REVISED & REDRAWN	11/12/04	AR
REV	PCR NO	DESCRIPTION	DATE	BY

E-SWITCH®

TITLE KC52A10.001NPF

SCALE 1.5:1	DATE 3/5/2001	DR CJB	DWG G510346	REV G
-------------	---------------	--------	-------------	-------

THE INFORMATION CONTAINED IN THIS DOCUMENT IS PROPRIETARY TO E-SWITCH AND IS NOT TO BE COPIED OR TRANSFERRED